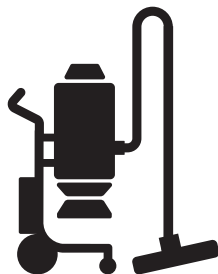




Husqvarna®



S 13, S 26, S 36

EN Operator's manual
ES-MX Manual del usuario
FR-CA Manuel d'utilisation

2-14
15-29
30-44

Contents

Introduction.....	2	Troubleshooting.....	11
Safety.....	6	Transportation, storage and disposal.....	12
Assembly.....	7	Technical data.....	12
Operation.....	8	Warranty.....	14
Maintenance.....	10		

Introduction

Owner responsibility



WARNING: Cutting, especially when DRY cutting, generates dust that comes from the material being cut, which frequently contains silica. Silica is a basic component of sand, quartz, brick clay, granite and numerous other minerals and rocks. Exposure to excessive amount of such dust can cause:

Respiratory disease (affecting your ability to breath), including chronic bronchitis, silicosis and pulmonary fibrosis from exposure to silica. These diseases may be fatal;

Skin irritation and rash.

Cancer according to NTP* and IARC* */ National Toxicology Program, International Agency for Research on Cancer.

Take precautionary steps:

Avoid inhalation of and skin contact with dust, mist and fumes.

Wear and ensure that all bystanders wear appropriate respiratory protection such as dust masks designed to filter out microscopic particles. (See OSHA 29 CFR Part 1926.1153)

To minimize dust emissions, wet cut when feasible. If dry cutting is necessary, use an appropriate dust extractor.

It is the owner's/employer's responsibility that the operator has sufficient knowledge about how to use the product safely. Supervisors and operators must have read and understood the Operator's Manual. They must be aware of:

- The products's safety instructions.
- The products's range of applications and limitations.
- How the product is to be used and maintained.

National/Local regulations could restrict the use of this product. Find out what regulations are applicable where you work before you start using the product.

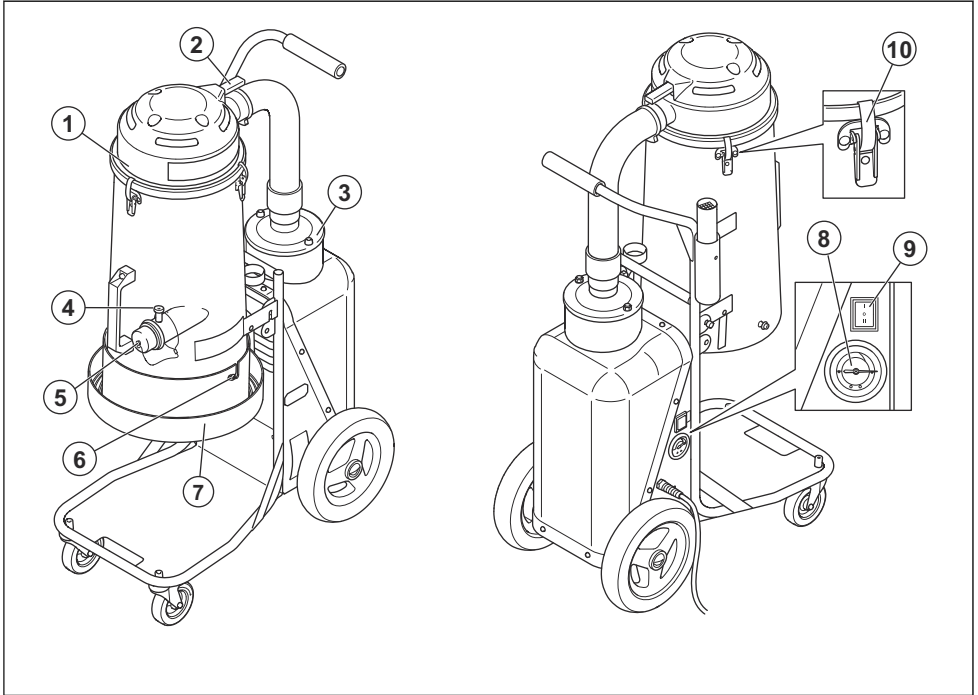
Product description

The product is a single phase dust extractor. Dust-laden air goes through the suction hose into the inlet valve. The product separates the dust particles from the air. The particles falls into the plastic bag at the bottom of the product.

Intended use

The machine is designed for vacuuming and separating dry, non-combustible dust with an explosion limit value of $>0.1\text{mg/m}^3$. Do not use the product for other tasks.

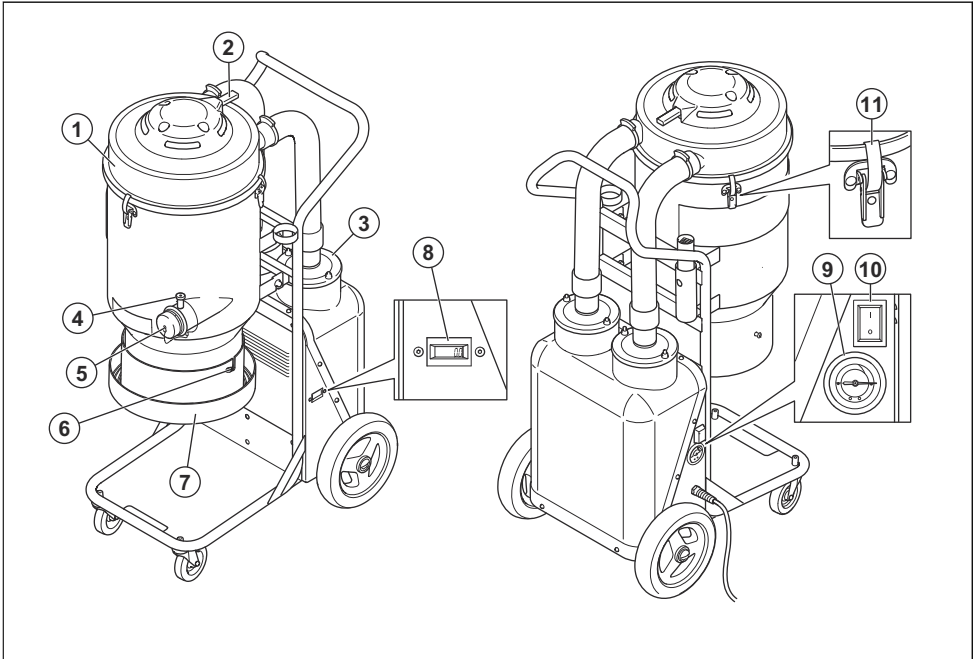
Product overview S 13



1. Pre-filter
2. Jet Pulse Handle
3. HEPA filter
4. Hose lock
5. Inlet plug

6. Longopac connection
7. Longopac holder
8. Manometer
9. ON/OFF
10. Toggle fastener

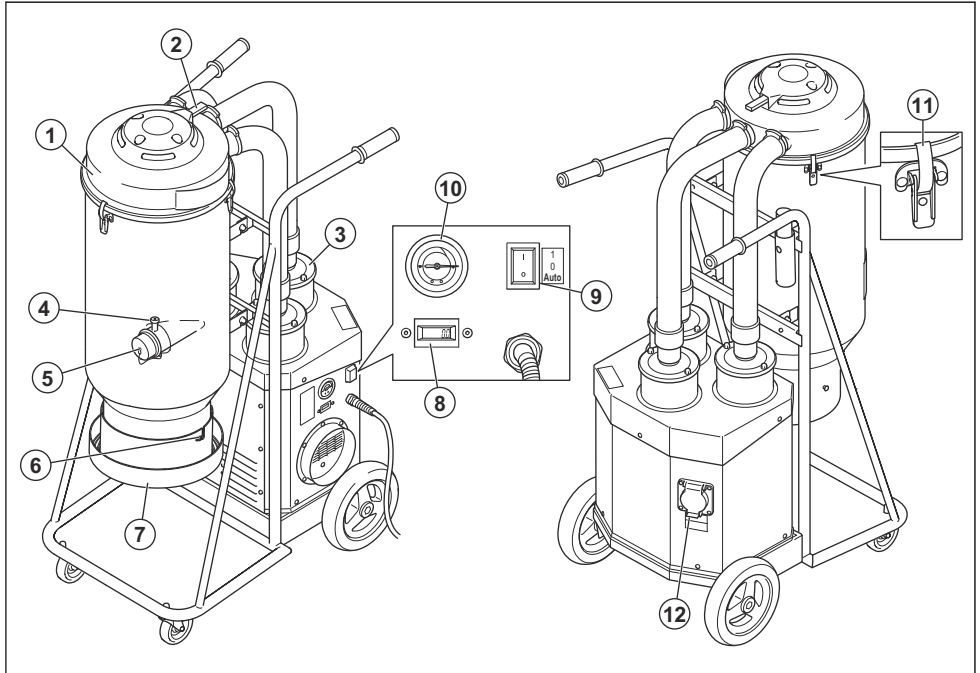
Product overview S 26



1. Pre-filter
2. Jet Pulse Handle
3. HEPA filter
4. Hose lock
5. Inlet plug
6. Longopac connection

7. Longopac holder
8. Hour meter
9. Manometer
10. ON/OFF
11. Toggle fastener

Product overview S 36



1. Pre-filter
2. Jet Pulse Handle
3. HEPA filter
4. Hose lock
5. Inlet plug
6. Longopac connection
7. Longopac holder
8. Hour meter
9. ON/OFF
10. Manometer
11. Toggle fastener
12. Distribution box (Only 230V)

Symbols on the product



Please read the operator's manual carefully and make sure you understand the instructions before using the product.



Always use an approved breathing mask.



Always use approved ear protection.



Always use approved eye protection.

Product liability

As referred to in the product liability laws, we are not liable for damages that our product causes if:

- the product is incorrectly repaired.
- the product is repaired with parts that are not from the manufacturer or not approved by the manufacturer.
- the product has an accessory that is not from the manufacturer or not approved by the manufacturer.
- the product is not repaired at an approved service center or by an approved authority.

Safety

Safety definitions

Warnings, cautions and notes are used to point out specially important parts of the manual.



WARNING: Used if there is a risk of injury or death for the operator or bystanders if the instructions in the manual are not obeyed.



CAUTION: Used if there is a risk of damage to the product, other materials or the adjacent area if the instructions in the manual are not obeyed.

Note: Used to give more information that is necessary in a given situation.

General safety instructions



WARNING: Read the warning instructions before you use the product.

- Always exercise care and use your common sense. If you get into a situation where you feel unsafe, stop and seek expert advice. Contact your dealer, service agent or an experienced user. Do not attempt any task that you feel unsure of!
- Read the operator's manual carefully and understand the instructions before using the product. Save all warnings and instructions for future reference.
- Keep in mind that it is you, the operator that is responsible for not exposing people or their property to accidents or hazards.
- The product must be kept clean. Signs and stickers must be fully legible.
- This machine is not intended for use by persons (including children) with reduced physical, sensory or mental capabilities, or lack of experience and knowledge.
- Do not allow to use as a toy and do not play with the appliance. Close attention is necessary when used by or near children.
- Keep children and unauthorized persons away from machine when in use.
- Operators shall be adequately instructed on the use of the machine.
- Never use this product if you are fatigued, while under the influence of alcohol or drugs, medication or anything that could affect your vision, alertness, coordination or judgment.
- Do not handle plug or machine with wet hands.
- Never use a product that is faulty. Carry out the safety checks, maintenance and service instructions

described in this manual. Some maintenance and service measures must be carried out by trained and qualified specialists. Refer to instructions in *Maintenance on page 10*.

Electrical Safety instructions



WARNING: Read the warning instructions that follow before you use the product.

- The dust extractor is equipped with a safety thermal protector to prevent motor from overheating. Should thermal protector activate, turn off machine, unplug power cord and check for full dust bag, vacuum hose clog or filter blockage. It may take up to 45 minutes for the thermal protector to reset.
- Before using the dust extractor make sure that the power & voltage corresponds with the voltage shown on the machines rating plate, including extension cords.
- Connect to a properly grounded outlet only. Refer to *Grounding instructions on page 8*.
- Improper connection of the equipment-grounding conductor can result in a risk of electrical shock. Check with a qualified electrician or service person if you are in doubt as to whether the outlet is properly grounded. Do not modify the plug provided, if it will not fit the outlet have a proper outlet installed by a qualified electrician.
- If using an extension cord make sure the cord rating is suitable for this machine.
- Cables damaged through crushing or splitting can be dangerous if used and should be replaced immediately.
- Do not use with damaged cord or plug. If the machine is not working as it should, has been dropped, damaged, left outdoors or dropped in water. Make sure it is repaired by a qualified person.
- Regularly inspect cord and plug for damage. Do not use with a damaged cord or plug.
- Do not pull or carry by cord, use cord as handle, close a door on cord, or pull cord around sharp edges or corners. Do not allow equipment to run over cord. Keep cord away from heated surfaces.
- Do not unplug by pulling on cord. To unplug, grasp the plug.
- Do not leave machine when plugged in. Unplug cord from outlet when not in use and before cleaning or servicing machine.

Safety instructions for assembly



WARNING: Read the warning instructions that follow before you assemble the product.

- Turn off all controls before unplugging. Do not unplug by pulling on cord. To unplug, grasp the plug.
- Unauthorized modifications and /or accessories may lead so serious injury or death to the user or others.
- Always use genuine accessories.
- Use only attachments as described in this manual. Use only manufacturers recommended attachments.
- Make sure that the assembly area is firm, so the product does not tip over. Risk of personal and material injury.
- Be careful, the toggle fasteners can cause damage to the operator when assemble the product.

Safety instructions for operation



WARNING: Read the warning instructions that follow before you use the product.

- Only use the product indoors.
- Do not pick up anything that is burning or smoking, such as cigarettes, matches or hot ashes.
- Do not use to pick up flammable or combustible liquids, such as gasoline, or use in areas where they may be present.
- This machine is designed for picking up dry, non-flammable dust and debris in an indoor environment. It is not suitable for picking up liquids.
- Do not pick up any type of liquids.
- Do not allow a build-up of dust, hair and anything that may reduce airflow.
- Keep hair, loose clothing, fingers and all parts of body away from openings and moving parts.
- Use extra care when cleaning on stairs.
- Do not use the product without dust bag and/ or filters in place. Replace collection system and/or filters as described in this manual.

- Turn of all controls before unplugging.

Personal protective equipment



WARNING: Read the warning instructions that follow before you use the product.

- Always use approved personal protective equipment during operation. Personal protective equipment does not give you full protection but it decreases the degree of injury if an accident occur. Speak to you servicing dealer for recommendations about which equipment to use.
- Use approved protective gloves when you maintenance the product.

Work area safety



WARNING: Read the warning instructions that follow before you use the product.

- Do not use outdoors or on wet surface, this product is for indoor use only.
- Do not expose the product to rain and moisture, store indoors only.

Safety instructions for maintenance



WARNING: Read the warning instructions that follow before you use the product.

- Make sure the engine switch is in the Off position. Disconnect the product from the wall outlet.
- Do not modify the product from its original design.
- All repairs must be performed by a qualified service person. Use only manufacturer-supplied or equivalent replacement parts.
- Use approved protective equipment. Refer to *Personal protective equipment on page 7*
- Do not make a hole in the HEPA filter. A broken HEPA filter can disperse dust.

Assembly

General

Do a check that the following accessories are included:

- The hose with end fittings
- Steel tube
- Floor Nozzle
- Multi adapter (only S 13/S 26)

If 1 of the parts is missing, speak to your local service agent or salesman.

For models that do not have the front casters assembled because of the limit of package:

- Assemble the front casters using the bolt or the nut and the washer included in the package.

Make sure to dispose the package and the used product components in correct procedure. Refer to local disposal regulations. Make sure to recycle.

To attach the suction hose

There is a hose intake with a hose lock on the product. The hose lock makes sure that the suction hose adapter do not fall off.

1. Lift the hose lock and attach the suction hose adapter.
2. Lower the hose lock into the recess of the adapter.

To attach the nozzle on the hand pipe

The floor nozzle has adjustable wheels. Adjust the wheels to get the best suction effect. Adjust the wheels with the knob, which is on the rear side of the nozzle. The wheels and rubber strips of the nozzle can be replaced. Keep the nozzle in good condition.

Operation

Introduction



WARNING: Before you operate the product, carefully read and understand the safety chapter and the operation instructions.

Before use



WARNING: Before using the dust extractor make sure that the power and voltage corresponds with the voltage shown on the machines rating plate, including extension cords.

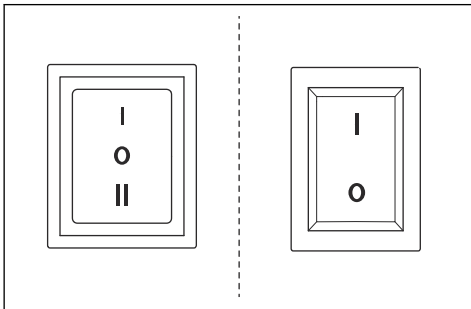
Grounding instructions



WARNING: The dust extractor must be grounded. If it should malfunction or breakdown, grounding provides a path of least resistance for electric current to reduce the risk of electric shock. The dust extractor is equipped with a cord having an equipment-grounding conductor and grounding plug. The plug must be inserted into an appropriate outlet that is properly installed and grounded in accordance with all local codes and ordinances.

To start and stop

Use the switch to start the dust extractor.



Start switch	Models with automatic start	Models without automatic start
Black - 3 step	0: Motor OFF I: Motor ON II: Automatic start	
Red - 2 step		0: Motor OFF I: Motor ON

Automatic start function

When you use the dust extractor together with another machine, there is an electrical outlet on the dust extractor. Connect the machine to this outlet. Then when you start it up the dust extractor will also start after approximately 1-2 seconds. When you turn it off, the dust extractor will continue to run for approximately 10 seconds to empty the hose and then stop.

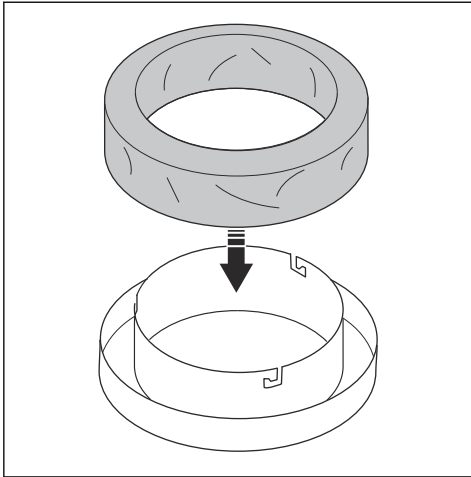
To assemble a new Longopac dust bag



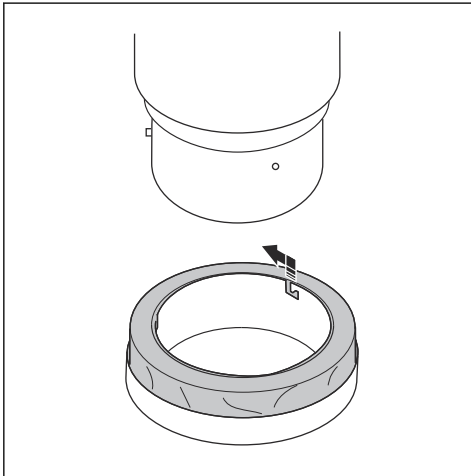
WARNING: Always clean the prefilter before change of bag collection system.

Note: The dust extractor has Longopac system.

1. Put the dust bag in the holder.

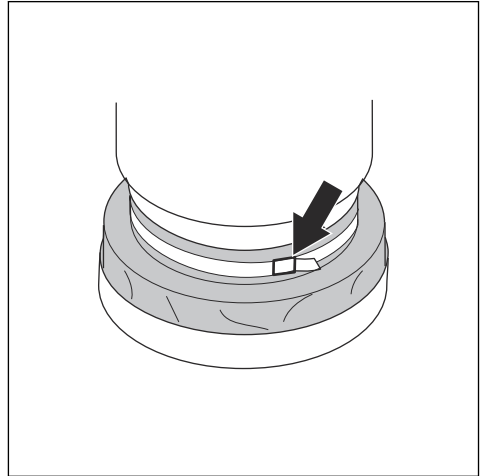


2. Attach the dust bag holder to the container by twisting it on to the holding pins.



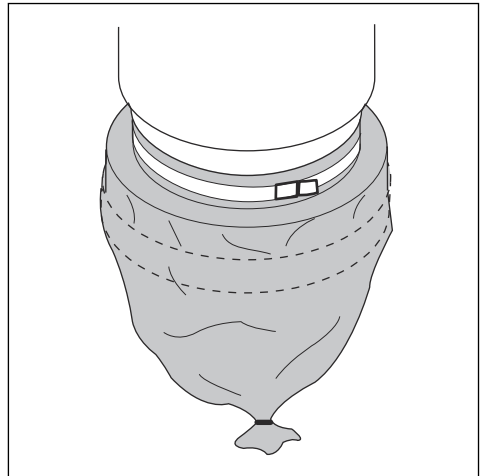
3. Pull the bag up from the bag holder and put it around the container.

4. Tighten a strap around the bag and the container to secure the bag to the container.



5. Pull the dust bag over the bag holder.

6. Close the bottom of the dust bag with a cable tie.



To clean the filter



CAUTION: If suction remains poor, the pre-filter needs to be replaced. If suction still remains poor afterwards, the HEPA filters need to be replaced. See instructions in *To change the HEPA filter on page 11.*

The filter must be cleaned from time to time. This must be done before changing the plastic bag collection system and should also be done when work is completed or when there is poor suction.

1. While running the dust extractor, seal the inlet using the inlet plug or the inlet valve.
2. Let the dust extractor build up vacuum for 5 seconds, then quickly push and hold down the Jet Pulse handle for 5 seconds.
3. Repeat step 2 five times. It is important to let the dust extractor rebuild the vacuum in between every repetition.
4. If suction remains poor, the filter should be replaced. Only replace plastic bag after cleaning the filter.

Maintenance

Introduction



WARNING: Use personal safety equipment, refer to *Personal protective equipment on page 7*, during service. Dust can be exposed during maintenance and service.



WARNING: All checks involving electric components should only be performed by a licensed electrician.



WARNING: Most accidents involving machines occur during trouble shooting, service and maintenance as staff have to locate themselves within the risk area of the machine. Prevent accidents by being alert and by planning and preparing the work.



WARNING: The engine should be switched off during operations described in this chapter unless otherwise stated.

Maintenance schedule S - Line Dust Extractor

The maintenance intervals are calculated from daily use of the product. The intervals change if the product is not used daily.

Maintenance	Before each use	Daily	Weekly	When suction is low	6 months or 1000h	12 months or 2000h
Look for signs of wear, damage or loose connections of the controls before the unit is connected.	X					
Do a check that the dust bag/ Longopac is correct.		X				
Do a check of the filter cleaning mechanism.		X				
Do a check of the wheels. Look for damage and bad connections.			X			
Clean the pre-filter.				X		
Replace the pre-filter.					X	
Replace the HEPA filter				X		X

To clean the dust extractor

It is important to clean the dust extractor to prevent circulation of dangerous dust. Always clean the dust extractor before it is moved from the work area.



WARNING: Turn the motor switch to its OFF position and disconnect the cord from the wall outlet before you clean or do maintenance to the product.

- All equipment once used must be regarded as contaminated and be treated thereafter.

- All parts that are contaminated after service work must be disposed in a correct procedure in plastic bags. Refer to local regulations.
- Use correct personal equipment when you clean the product. Refer to *Personal protective equipment on page 7*.
- Clean the external surface with a moist cloth.
- Clean the filters and the dust extractor in applicable area.
- Vacuum the pre-filter from the outside. Always use dust extractors with HEPA-filter and a soft brush to not damage the filter.
- Do not use water on electrical components.
- Do not clean the dust extractor with high pressure (air or water).
- Do not put tools on the surface of the filter, it can cause damage to the filter.
- Do not make a hole in the HEPA filter, it can cause a health risk.

Filter change



WARNING: Use personal safety equipment, refer to *Personal protective equipment on page 7*, during filter change. Dust can come out during filter change.



WARNING: Always turn the motor switch in the Off position and disconnect the cord from the wall outlet during filter change.

To change the HEPA filter



CAUTION: Do not clean HEPA filters. Trying to clean a HEPA filter will destroy it. When installing the replacement filter, make sure to not touch the inside of the filter. Any kind of force/damage on the inside of filter media will destroy the new filter.

Note: Recommended intervals for filter change: Pre-filter every 6 months and HEPA filters every 12 months.

1. Loosen the screws on the filter cover cap.
2. Carefully lift the filter into a clean plastic bag, this bag must be properly disposed.
3. Insert a new filter in reverse order.

To change the pre-filter



CAUTION: When you remove the pre-filter in order to clean it, use only low pressure water from the inside through to the out. Hitting the filter with force, high pressure water or use of compressed air will destroy the filter. The filter must be 100% dry before returning into the housing.

1. Loosen the 3 toggle fasteners and remove the top.
2. Take the bag from the new filter.
3. Lift out the filter and place it gently in a plastic bag. This bag must be properly disposed.
4. Insert a new filter.

Troubleshooting

Troubleshooting schedule

Issue	Cause	Solution
Motor does not start	No power	Plug in machine
	Cable defective	Replace cable
	Switch defective	Replace switch
	Soft start defective	Replace soft start
Motor stops immediately after starting	Wrong fuse	Connect to correct fuse
	Shortcut in cable/machine	Order service

Issue	Cause	Solution
Motor runs but there is not suction	Hose not connected	Connect hose
	Hose blocked	Clean hose
	No dust collection bag	Fit dust collection system
Motor runs but there is poor suction	Hole in hose	Replace hose
	Filter clogged	Clean filter/ Replace filter
	Loose top cover	Adjust
	Dirt in the flap	Clean the flap
	Defective gaskets	Replace affected gaskets
Dust blown from motor	Wrongly assembled or damaged filter system	Adjust/ Replace filters
Abnormal noise		Order service

Transportation, storage and disposal

Transportation of the product

- Make sure that the Longopac bag is empty before a transportation
- Make sure that the Longopac bag is attached to the product during transportation.
- Use ramps or winches to lift the dust extractor to make sure that movements are safe. Get aid if you are not sure about how to lift heavy equipment.
- Attach the product safely during transportation in order to prevent transport damage and accidents.
- Engage the locking caster safely on the wheels.
- If possible, do the transportation of the product during good weather conditions.
- If possible, use a closed vehicle during transportation of the product.

- Do not expose the product to rain or moisture.
- Attach the locking casters safely.
- Disconnect the product from the power source.
- Store the product and the equipment in a dry area with no frost or excessive heat.
- Store all equipment in an locked area, so that it is out of reach of children and unauthorized persons.

Disposal of the product

- Obey the local recycling requirements and applicable regulations.
- When the product no longer is used, send it to the dealer or discard it at a recycling location.

Storage of the product

- The product must be stored inside away from outdoor elements.

Technical data

Technical data

Data	S 26 [220 - 230V]	S 36 [220 - 230V]	S 13 [110 - 120V]	S 26 [110 - 120V]	S 36 [110 - 120V]
Rated Voltage (1 phase), V	220 - 230	220 - 230	110 - 120	110 - 120	110 - 120
Frequency, Hz	50 - 60	50 - 60	50 - 60	50 - 60	50 - 60

Data	S 26 [220 - 230V]	S 36 [220 - 230V]	S 13 [110 - 120V]	S 26 [110 - 120V]	S 36 [110 - 120V]
Power (max), HP (kW)	3.2 (2.4)	4.8 (3.6)	1.6 (1.2)	3.2 (2.4)	3.2 (2.4)
Current (max), A	9	12	8	16	16
Airflow (max), cfm (m ³ /h)	236 (400)	354 (600)	129 (219)	258 (438)	285 (485)
Vacuum (max), psi (kPa)	3.5 (24)	3.5 (24)	3.5 (24)	3.5 (24)	2.6 (18)
Water lift, in.	100	100	100	100	80
Main hose length, ft (m)	25 (7.5)	33 (10)	13 (4)	25 (7.5)	33 (10)
Main hose diameter in. (mm)	2 (51)	2.5 (63)	1.5 (38)	2 (51)	2.5 (63)
Inlet diameter in. (mm)	2.5 (63)	2.5 (63)	1.5 (38)	2.5 (63)	2.5 (63)
Auxiliary outlet	No	Yes	No	No	No
Max load Auxiliary outlet, W	N/A	3450	N/A	N/A	N/A
Pre-filter, % at 1µm	99.95	99.95	99.95	99.95	99.95
Pre-filter area, ft ² (m ²)	32 (3)	48 (4.5)	16 (1.5)	32 (3)	48 (4.5)
HEPA filter 99.99% at 0.3 µm	2	3	1	2	3
Total HEPA filter area, ft ² (m ²)	26 (2.4)	39 (3.6)	13 (1.2)	26 (2.4)	39 (3.6)
Dust collection system, type	Longopac	Longopac	Longopac	Longopac	Longopac
Filter Cleaning Mechanism	Jet Pulse	Jet Pulse	Jet Pulse	Jet Pulse	Jet Pulse
Dimensions (L*W*H), in. (mm)	29x21.5x50.2 (756x546x1275)	32.5x24.5x60 (830x620x1500)	26x15.8x43.3 (680x400x1100)	29x21.5x50.2 (756x546x1275)	32.5x24.5x60 (850x620x1500)
Weight, lbs (kg)	105 (47)	144 (65)	66 (29)	105 (47)	140 (63)
Sound power level L _{WA} measured, dB(A) ¹	87.3	92.4	99.9	87.3	92.4
Sound pressure level L _{PA} at the operators ear, dB(A) ²	76	79.6	84.5	76	79.6
Vibration level a _h , m/s ²³	≤2.5				

¹ Noise emissions in the environment measured as sound power (LWA) in conformity with EN 60335-2-69. Uncertainty Kwa 2dB.

² Noise pressure level according to EN 60335-2-69. Uncertainty KPA 2dB.

³ Vibration level according to EN 60335-2-69. Reported data for vibration level has a typical statistical dispersion (standard deviation) of 1 m/s²

Warranty

Warranty

New equipment sold by Husqvarna is warranted to be free from manufacturing defects in normal service for a period of one (1) year from date of purchase by the original consumer purchaser*. Component manufacturers offer separate warranty periods. Call Technical Services at (800) 365-5040 for complete information.

Husqvarna's obligation under this warranty is expressly limited to the replacement or repair at Husqvarna Construction Products, or at a service facility designated by us, of such part or parts as inspection shall disclose to have been defective.

This warranty does not apply to defects caused by damage, unreasonable use, faulty repairs made by others or defects caused by failure to provide reasonable maintenance, while in the possession of the consumer. Further, the warranty is void if the product, or any of its components, is altered or modified by the consumer or if the product is used in an inappropriate manner or with a blade not recommended by the manufacturer.

(*) Husqvarna offers a 1-year warranty on all equipment with the following exceptions:

- Large flat saws - 2 years (Diesel and gasoline powered flat saws > 30 hp)
- DM 280/DM 340/DM 650 core drill motors - 2 years
- PG 530/PG 680/PG 820 (all variants, including RC) - 2 years, or 1,000 hours (whichever comes first)
- Blade Clutch on large flat saws - 6 months

Wear items are not covered under warranty:

- Belts
- Bearings**
- Cart wheels
- Filters
- Wheels***
- Wear pads
- Spark plugs

(**) Except IntelliSeal System

(***) Except delamination

Contenido

Introducción.....	15	Solución de problemas.....	26
Seguridad.....	19	Transporte, almacenamiento y eliminación de residuos.....	26
Montaje.....	21	Datos técnicos.....	27
Funcionamiento.....	21	Garantía.....	29
Mantenimiento.....	23		

Introducción

Responsabilidad del propietario



ADVERTENCIA: Cuando corta con la máquina, especialmente cuando se corta EN SECO, el material que corta produce polvo que con frecuencia contiene sílice. El sílice es un componente básico de la arena, el cuarzo, la arcilla de los ladrillos, el granito y otros numerosos minerales y rocas. La exposición a una cantidad excesiva de ese polvo puede causar:

Enfermedades respiratorias, como la bronquitis crónica, la silicosis y la fibrosis pulmonar. Estas enfermedades pueden ser mortales.

Irritación cutánea y sarpullido.

Cáncer, según el NTP* y la IARC* */National Toxicology Program (Programa Nacional de Toxicología) y Centro Internacional de Investigaciones sobre el Cáncer.

Tome medidas preventivas:

Evite inhalar y que su piel entre en contacto con el polvo, el vaho y los gases.

Utilice artículos apropiados para la protección respiratoria como máscaras contra polvo diseñadas para filtrar partículas microscópicas, y asegúrese de que todas las personas que se encuentren cerca también lo hagan. (Consulte la normativa OSHA 29 CFR Parte 1926.1153)

Corte en húmedo cuando sea posible para reducir al mínimo las emisiones de polvo. Si es necesario un corte en seco, use un extractor de polvo adecuado.

Es responsabilidad del propietario o empleador que el usuario tenga los conocimientos necesarios sobre cómo utilizar el producto de forma segura. Los supervisores y usuarios deben haber leído y comprendido el manual de usuario. Deben tener conocimiento de lo siguiente:

- Las instrucciones de seguridad de los productos.
- La gama de aplicaciones y limitaciones de los productos.
- Cómo el producto se va a utilizar y mantener.

El uso de este producto podría estar restringido por normas nacionales o locales. Infórmese sobre qué normas se aplican en el lugar donde trabaja antes de comenzar a utilizar el producto.

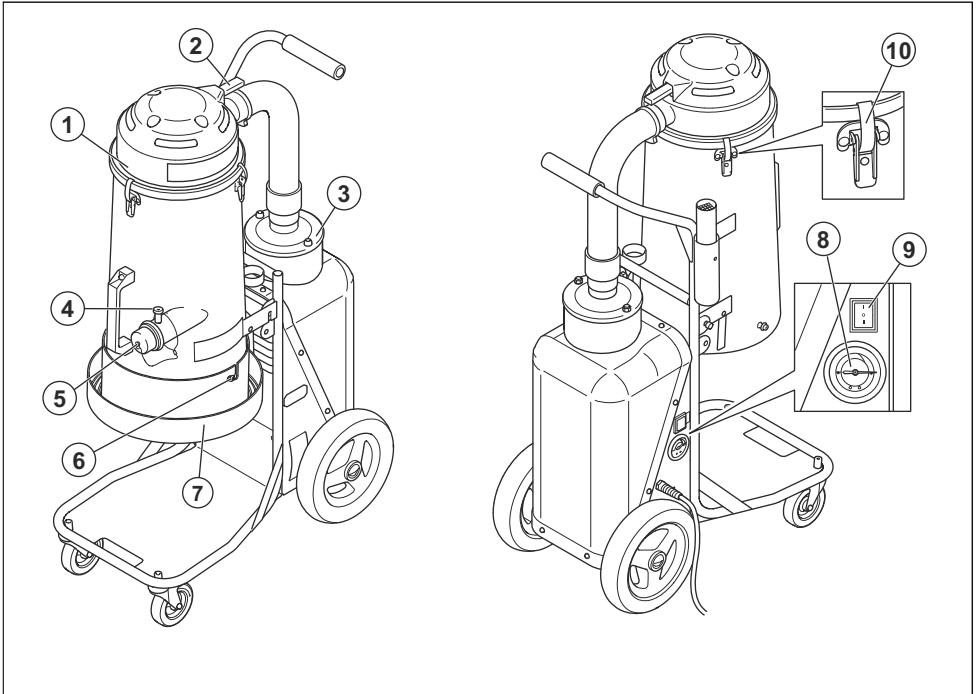
Descripción del producto

El producto es un extractor de polvo monofásico. El aire cargado de polvo pasa a través de la manguera de aspiración hacia la válvula de entrada. El producto separa las partículas de polvo del aire. Las partículas caen en la bolsa de plástico en la parte inferior del producto.

Uso previsto

La máquina está diseñada para aspirar y separar polvo seco no combustible con un valor de explosión límite de $> 0,1 \text{ mg}^{\beta}$. No utilice el producto para otras tareas.

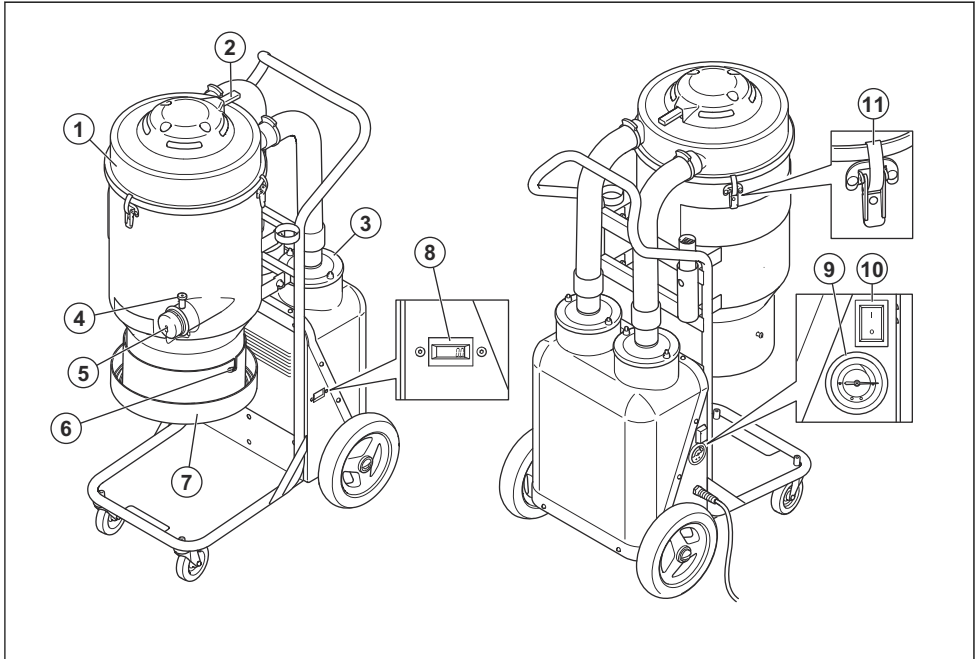
Descripción general del producto S 13



1. Prefiltro
2. Mango de pulso de chorro
3. HEPA filter
4. Bloqueo de la manguera
5. Tapa de admisión

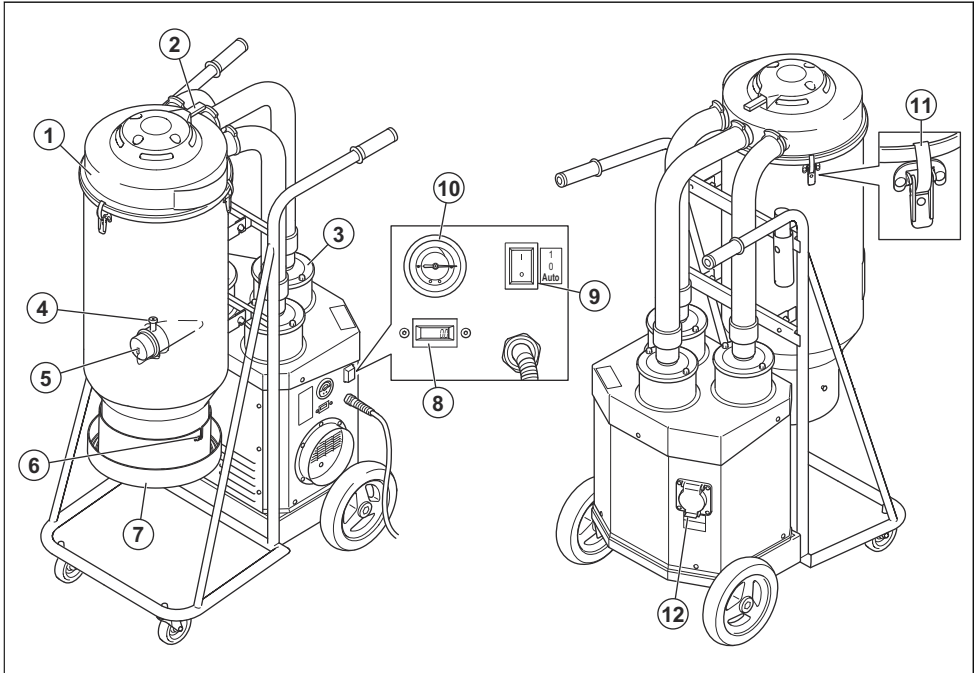
6. Longopac conexión
7. Longopac soporte
8. Manómetro
9. ENCENDIDO/APAGADO
10. Sujetador de conmutación

Descripción general del producto S 26



1. Prefiltro
2. Mango de pulso de chorro
3. HEPA filter
4. Bloqueo de la manguera
5. Tapa de admisión
6. Longopac conexión
7. Longopac soporte
8. Medidor de horas
9. Manómetro
10. ENCENDIDO/APAGADO
11. Sujetador de conmutación

Descripción general del producto S 36



1. Prefiltro
2. Mango de pulso de chorro
3. HEPA filter
4. Bloqueo de la manguera
5. Tapa de admisión
6. Longopac conexión
7. Longopac soporte
8. Medidor de horas
9. ENCENDIDO/APAGADO
10. Manómetro
11. Sujetador de conmutación
12. Caja de distribución (solo 230 V)



Utilice siempre protectores auriculares aprobados.



Utilice siempre protección ocular aprobada.

Responsabilidad del fabricante

Como se menciona en las leyes de responsabilidad del fabricante, no nos hacemos responsables de los daños que cause nuestro producto si:

- el producto se repara incorrectamente
- el producto se repara con piezas que no son del fabricante o que este no autoriza
- el producto tiene un accesorio que no es del fabricante o que este no autoriza
- el producto no se repara en un centro de servicio autorizado o por una autoridad aprobada.

Símbolos en el producto



Lea atentamente el manual del usuario y asegúrese de entender las instrucciones antes de utilizar el producto.



Utilice siempre una máscara respiratoria aprobada.

Seguridad

Definiciones de seguridad

Las advertencias, precauciones y notas se utilizan para señalar las piezas particularmente importantes del manual.



ADVERTENCIA: Se utilizan para señalar el riesgo de lesiones graves o mortales para el operador o para aquellos que se encuentren cerca si no se siguen las instrucciones del manual.



AVISO: Se utilizan para señalar el riesgo de dañar la máquina, otros materiales o el área adyacente si no se siguen las instrucciones del manual.

Tenga en cuenta: Se utilizan para entregar más información necesaria en situaciones particulares.

Instrucciones generales de seguridad



ADVERTENCIA: Lea las instrucciones de advertencia antes de usar el producto.

- Siempre tenga cuidado y use su sentido común. Si entra en una situación en la que se sienta inseguro, deténgase y busque el asesoramiento de expertos. Póngase en contacto con el distribuidor, el agente de servicio o un usuario experimentado. No intente realizar ninguna tarea en la cual se sienta inseguro.
- Lea el manual de instrucciones cuidadosamente y asegúrese de entender las instrucciones antes de usar el producto. Guarde todas las advertencias e instrucciones para futuras referencias.
- Tenga en cuenta que usted, el operador, es responsable de no exponer a las personas o su propiedad a accidentes o peligros.
- El producto se debe mantener limpio. Los avisos y los autoadhesivos deben ser perfectamente legibles.
- Esta máquina no está diseñada para ser utilizada por personas (incluidos niños) con capacidades físicas, sensoriales o mentales reducidas, o con falta de experiencia y conocimientos.
- No permita su uso como juguete y no juegue con el aparato. Se necesita prestar atención cuando lo utiliza un niño o se utiliza cerca de uno.
- Mantenga a los niños y personas no autorizadas alejados de la máquina cuando esté en uso.
- Los operadores deberán recibir instrucciones adecuadas sobre el uso de la máquina.
- Nunca use este producto si está cansado, mientras esté bajo la influencia del alcohol o drogas, medicamentos o cualquier cosa que pueda afectar su visión, atención, coordinación o criterio.
- No manipule el enchufe o la máquina con las manos mojadas.
- Nunca utilice un producto que esté defectuoso. Realice las comprobaciones de seguridad, el mantenimiento y las instrucciones de servicio descritas en este manual. Especialistas capacitados y calificados deben llevar a cabo algunas medidas de mantenimiento y servicio. Consulte las instrucciones en *Mantenimiento en la página 23*.



ADVERTENCIA: Lea atentamente las instrucciones de advertencia siguientes antes de usar el producto.

-
- El extractor de polvo está equipado con un protector térmico de seguridad para evitar el sobrecalentamiento del motor. En caso de que se active el protector térmico, apague la máquina, desconecte el cable de alimentación y verifique que no haya una bolsa llena de polvo, obstrucción de la manguera de vacío o bloqueo del filtro. El protector térmico puede tardar hasta 45 minutos en restablecerse.
 - Antes de usar el extractor de polvo, asegúrese de que la potencia y el voltaje se correspondan con el voltaje que se muestra en la placa de características de la máquina, incluidos los cables de extensión.
 - Conecte solo a una toma debidamente conectada a tierra. Consulte *Instrucciones para realizar la conexión a tierra en la página 21*.
 - La conexión incorrecta del conductor a tierra del equipo puede provocar un riesgo de descarga eléctrica. Consulte con un electricista o técnico calificado si tiene dudas sobre si la toma está conectada a tierra correctamente. No modifique el enchufe provisto, si no encaja en la toma, haga que un electricista calificado instale una toma adecuada.
 - Si utiliza un cable de extensión, asegúrese de que la clasificación del cable sea adecuada para esta máquina.
 - Los cables dañados por aplastamiento o división pueden ser peligrosos si se usan y deben reemplazarse de inmediato.
 - No utilice con el cable o el enchufe dañado. Si la máquina no funciona como debería, se ha caído, dañado, se ha dejado al aire libre o se ha caído al agua. Asegúrese de que sea reparada por una persona calificada.
 - Inspeccione regularmente el cable y el enchufe para detectar daños. No utilice con un cable o enchufe dañado.

- No tire del cable ni lo transporte, use el cable como manija, cierre la puerta con el cable o tire del cable alrededor de bordes afilados o esquinas. No permita que el equipo pase sobre el cable. Mantenga el cable lejos de superficies calientes.
- No tire del cable para desenchufar el aparato. Para desconectar, sujete el enchufe.
- No deje la máquina cuando esté enchufada. Desenchufe el cable de la toma cuando no esté en uso y antes de limpiar o reparar la máquina.

- Tenga especial cuidado al limpiar en escaleras.
- No utilice el producto sin la bolsa de polvo o los filtros en su lugar. Cambie el sistema de recolección o los filtros como se describe en este manual.
- Apague todos los controles antes de desconectar el aparato.

Equipo de protección personal



ADVERTENCIA: Lea atentamente las instrucciones de advertencia siguientes antes de usar el producto.

- Siempre utilice equipo de protección personal homologado durante el funcionamiento. El equipo de protección personal no otorga protección total, pero disminuye el grado de las lesiones si ocurre un accidente. Consulte a su concesionario de servicio para conocer las recomendaciones sobre qué equipo utilizar.
- Use guantes protectores aprobados cuando realice el mantenimiento del producto.

Seguridad en el área de trabajo



ADVERTENCIA: Lea atentamente las instrucciones de advertencia siguientes antes de usar el producto.

- No lo use en exteriores o en superficies mojadas, este producto es solo para uso en espacios cerrados.
- No exponga el producto a la lluvia ni a la humedad, guárdelo solo en espacios cerrados.

Instrucciones de seguridad para el mantenimiento



ADVERTENCIA: Lea atentamente las instrucciones de advertencia siguientes antes de usar el producto.

- Asegúrese de que el interruptor del motor esté en la posición de APAGADO. Desconecte el producto de la toma de pared.
- No modifique el producto de su diseño original.
- Todas las reparaciones deben ser realizadas por un técnico de servicio calificado. Utilice únicamente piezas de repuesto suministradas por el fabricante o equivalentes.
- Utilice equipo de protección aprobado. Consulte *Equipo de protección personal en la página 20*
- No haga un agujero en HEPA filter. Una HEPA filter rota puede dispersar el polvo.

Instrucciones de seguridad para el montaje



ADVERTENCIA: Lea atentamente las instrucciones de advertencia siguientes antes de montar el producto.

- Apague todos los controles antes de desconectar el aparato. No tire del cable para desenchufar el aparato. Para desconectar, sujete el enchufe.
- Las modificaciones o los accesorios no autorizados pueden provocar lesiones muy graves o incluso la muerte al usuario u otras personas.
- Utilice siempre accesorios originales.
- Utilice solo accesorios como se describe en este manual. Utilice solo accesorios recomendados por el fabricante.
- Asegúrese de que el área de montaje sea firme, de manera que el producto no se pueda volcar. Riesgo de daños personales y materiales.
- Tenga cuidado, los sujetadores de conmutación pueden causar daños al operador cuando ensamble el producto.

Instrucciones de seguridad para el funcionamiento



ADVERTENCIA: Lea atentamente las instrucciones de advertencia siguientes antes de usar el producto.

- Utilice el producto solo en ambientes cerrados.
- No recoja nada que esté ardiendo o humeando, como cigarrillos, fósforos o cenizas calientes.
- No lo utilice para recoger líquidos inflamables o combustibles, como gasolina, ni lo utilice en zonas donde puedan encontrar estos líquidos.
- Esta máquina está diseñada para recoger polvo y desechos secos y no inflamables en un ambiente interior. No es adecuada para recoger líquidos.
- No recoja ningún tipo de líquidos.
- No permita la acumulación de polvo, cabello y cualquier cosa que pueda reducir el flujo de aire.
- Mantenga el cabello, la ropa suelta, los dedos y todas las partes del cuerpo lejos de las aberturas y las partes móviles.

Montaje

Información general

Verifique que los siguientes accesorios estén incluidos:

- La manguera con conectores de extremo
- Tubo de acero
- Boquilla inferior
- Multiadaptador (solo S 13/S 26)

Si falta 1 de las partes, hable con su taller de servicio o vendedor local.

Para los modelos que no tienen las ruedas delanteras ensambladas debido al límite del paquete:

- Ensamble las ruedas delanteras con el perno o la tuerca y la arandela incluida en el paquete.

Asegúrese de desechar el paquete y los componentes del producto usados en el procedimiento correcto. Consulte las normativas locales de desecho. Asegúrese de reciclar.

Para fijar la manguera de aspiración

Hay una entrada de manguera con un bloqueo de manguera en el producto. El bloqueo de manguera asegura que el adaptador de la manguera de aspiración no se caiga.

1. Levante el bloqueo de la manguera y fije el adaptador de la manguera de aspiración.
2. Baje el bloqueo de la manguera en la ranura del adaptador.

Para fijar la boquilla en la tubería de mano

La boquilla de suelo tiene ruedas ajustables. Ajuste las ruedas para obtener el mejor efecto de aspiración. Ajuste las ruedas con la perilla, que se encuentra en la parte posterior de la boquilla. Las ruedas y las correas de goma de la boquilla pueden ser reemplazadas. Mantenga la boquilla en buen estado.

Funcionamiento

Introducción



ADVERTENCIA: Antes de operar el producto, lea cuidadosamente y comprenda el capítulo sobre seguridad y las instrucciones de operación.

Antes del uso



ADVERTENCIA: Antes de usar el extractor de polvo, asegúrese de que la potencia y el voltaje se correspondan con el voltaje que se muestra en la placa de características de la máquina, incluidos los cables de extensión.

Instrucciones para realizar la conexión a tierra

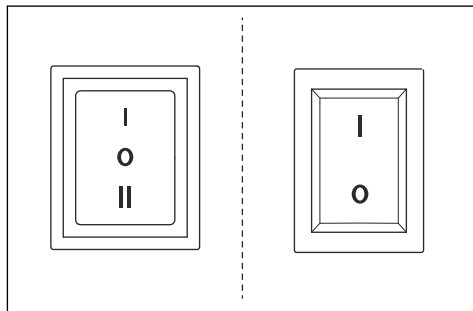


ADVERTENCIA: El extractor de polvo debe estar conectado a tierra. Si falla o se descompone, la conexión a tierra proporciona un alcance de menor resistencia para la corriente eléctrica para reducir el riesgo de descarga eléctrica. El extractor de polvo está equipado con un cable que tiene un conductor con equipo a tierra y un enchufe de conexión a tierra. El enchufe debe insertarse en una toma apropiada que esté correctamente instalada

y conectada a tierra de acuerdo con todos los códigos y ordenanzas locales.

Para arrancar y detener

Utilice el interruptor para arrancar el extractor de polvo.



Interruptor de arranque	Modelos con arranque automático	Modelos sin arranque automático
Negro: 3 pasos	0: Motor APAGADO I: Motor ENCENDIDO II: Arranque automático	
Rojo: 2 pasos		0: Motor APAGADO I: Motor ENCENDIDO

Función de arranque automático

Cuando utilice el extractor de polvo junto con otra máquina, hay una toma eléctrica en el extractor de polvo. Conecte la máquina a esta toma. A continuación, cuando lo encienda, el extractor de polvo también se arrancará después de aproximadamente 1-2 segundos. Cuando lo apague, el extractor de polvo continuará funcionando durante aproximadamente 10 segundos para vaciar la manguera y luego detenerse.

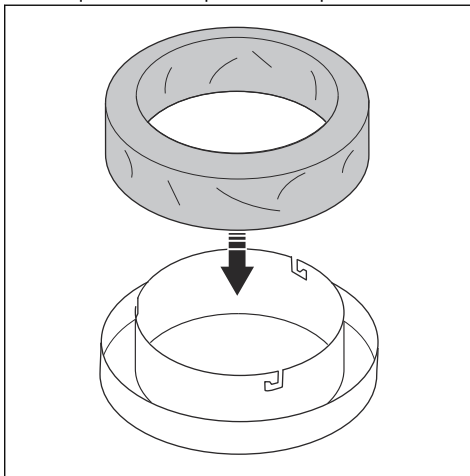
Para montar una nueva bolsa de aire Longopac



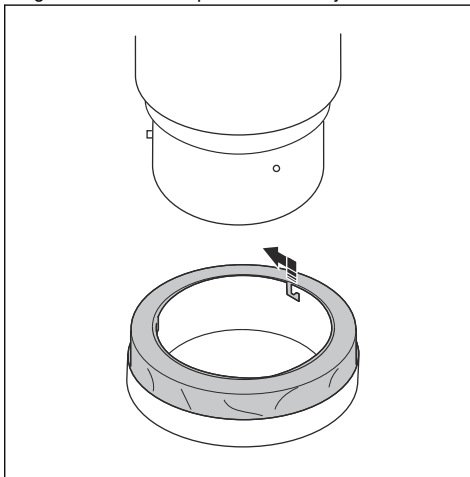
ADVERTENCIA: Limpie siempre el prefiltro antes de cambiar el sistema de recolección de la bolsa.

Tenga en cuenta: El extractor de polvo tiene sistema Longopac.

1. Coloque la bolsa de polvo en el soporte.

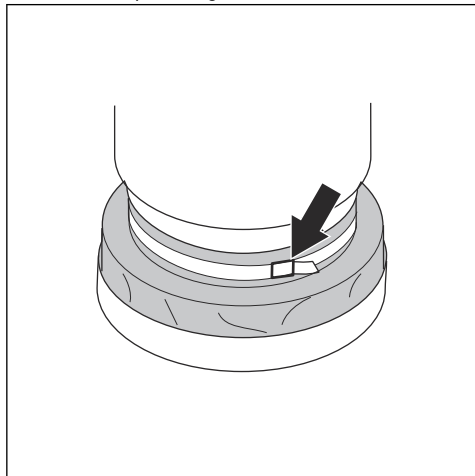


2. Fije el soporte de la bolsa de polvo en el contenedor girándolo sobre los pasadores de sujeción.

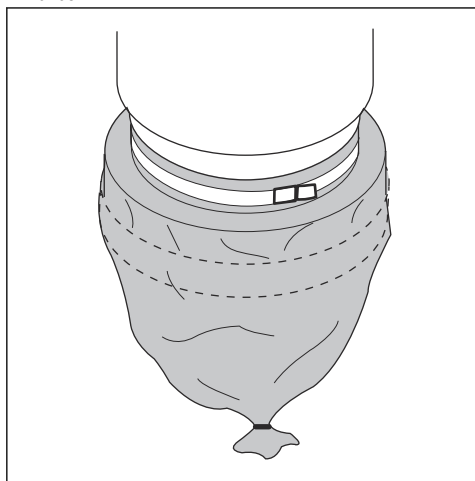


3. Saque la bolsa del soporte y colóquela alrededor del recipiente.

4. Apriete una correa alrededor de la bolsa y el contenedor para asegurar la bolsa al contenedor.



5. Tire de la bolsa de polvo sobre el soporte de la bolsa.
6. Cierre la parte inferior de la bolsa de polvo con una brida.



Limpeza del filtro



AVISO: Si la capacidad de aspiración sigue siendo deficiente, debe reemplazar el prefiltro. Si la capacidad de aspiración sigue siendo deficiente después de la sustitución, debe reemplazar los filtros HEPA. Consulte las instrucciones en *Cambio del filtro HEPA en la página 25*.

El filtro se debe limpiar cada cierto tiempo. Lo cual se debe realizar antes de cambiar el sistema de recolección con bolsas de plástico, tras finalizar un trabajo o cuando la aspiración sea deficiente.

1. Durante el funcionamiento del extractor de polvo, selle la entrada con la tapa o la válvula de admisión.
2. Permita que el dust extractor intensifique la capacidad de aspiración durante 5 segundos, y luego presione rápidamente el mango de pulso de chorro durante 5 segundos.
3. Repita el paso 2 cinco veces. Es importante permitir que el dust extractor recupere su capacidad de aspiración entre cada repetición.
4. Si la capacidad de aspiración sigue siendo deficiente, debe reemplazar el filtro. Sustituya la bolsa de plástico únicamente tras la limpieza del filtro.

Mantenimiento

Introducción



ADVERTENCIA: Utilice el equipo de seguridad personal, consulte *Equipo de protección personal en la página 20*, durante el mantenimiento. El polvo puede estar expuesto durante el mantenimiento y servicio.



ADVERTENCIA: La mayoría de los accidentes relacionados con máquinas ocurren durante la localización de fallos, el servicio y el mantenimiento, ya que el personal tiene que ubicarse dentro del área de riesgo de la máquina. Prevenga los accidentes estando alerta y planificando y preparando el trabajo.



ADVERTENCIA: El motor debe apagarse durante las operaciones descritas en este capítulo, a menos que se indique lo contrario.

deben ser realizadas por un electricista autorizado.



ADVERTENCIA: Todas las verificaciones que involucren componentes eléctricos solo

Programa de mantenimiento S - Line Dust Extractor

Los intervalos de mantenimiento se calculan a partir del uso diario del producto. Los intervalos cambian si el producto no se utiliza a diario.

Mantenimiento	Antes de cada uso	Diario	Una vez por semana	Cuando la aspiración es baja	6 meses o 1000 h	12 meses o 2000 h
Busque signos de desgaste, daños o conexiones sueltas de los controles antes de conectar la unidad.	X					
Verifique que la bolsa de polvo/ Longopac sea correcta.		X				
Verifique el mecanismo de limpieza del filtro.		X				
Verifique las ruedas. Busque si hay daños y conexiones incorrectas.			X			
Limpie el prefiltro.				X		
Reemplace el prefiltro.					X	
Reemplace el HEPA filter				X		X

Para limpiar el extractor de polvo

Es importante limpiar el extractor de polvo para evitar la circulación de polvo peligroso. Limpie siempre el extractor de polvo antes de moverlo del área de trabajo.



ADVERTENCIA: Gire el interruptor del motor a la posición de apagado (OFF) y desconecte el cable de la toma de corriente de la pared antes de limpiar o realizar el mantenimiento del producto.

- Todo el equipo usado una vez debe considerarse contaminado y ser tratado posteriormente.
- Todas las piezas que estén contaminadas después del trabajo de servicio deben desecharse siguiendo un procedimiento correcto en bolsas de plástico. Consulte las normativas locales.
- Use el equipo personal correcto cuando limpie el producto. Consulte *Equipo de protección personal en la página 20*.
- Limpie la superficie externa con un paño húmedo.
- Limpie los filtros y el extractor de polvo en el área correspondiente.

- aspire el prefiltro desde el exterior. Siempre use extractores de polvo con filtro HEPA y un cepillo suave para no dañar el filtro.
- No use agua en componentes eléctricos.
- No limpie el extractor de polvo con alta presión (aire o agua).
- No coloque herramientas sobre la superficie del filtro, ya que podría dañar el filtro.
- No haga un agujero en la HEPA filter, puede causar un riesgo para la salud.

Cambio de filtro



ADVERTENCIA: Utilice equipos de seguridad personal, consulte *Equipo de protección personal en la página 20*, durante el cambio de filtro. Puede salir polvo durante el cambio de filtro.



ADVERTENCIA: Siempre gire el interruptor del motor en la posición de apagado y desconecte el cable de la toma de corriente durante el cambio de filtro.

Cambio del filtro HEPA



AVISO: No limpie los filtros HEPA. Si intenta limpiar un filtro HEPA, solo conseguirá estropearlo. Procure no tocar el interior del filtro durante la instalación del filtro de repuesto. Todo tipo de fuerza o daño al interior de los componentes del filtro implicará el deterioro del nuevo filtro.

Tenga en cuenta: Intervalos recomendados para el cambio del filtro: El prefiltro se debe cambiar cada 6 meses y los filtros HEPA cada 12.

1. Afloje los tornillos en la tapa de la cubierta del filtro.
2. Levante cuidadosamente el filtro y colóquelo en una bolsa de plástico limpia, la cual debe desechar según corresponda.
3. Coloque un filtro nuevo en el orden contrario.

Para cambiar el prefiltro



AVISO: Durante la extracción del prefiltro para efectos de limpieza, solo utilice agua con baja presión que originalmente se encontraba en el interior de este. Si utiliza fuerza excesiva, agua de alta presión o aire comprimido deteriorará el filtro. El filtro debe estar completamente seco antes de volver a colocarlo en el alojamiento.

1. Afloje los 3 sujetadores de conmutación y retire la parte superior.
2. Retire la bolsa del nuevo filtro.
3. Extraiga el filtro y colóquelo cuidadosamente en una bolsa de plástico. Esta bolsa se debe desechar adecuadamente.
4. Inserte un nuevo filtro.

Solución de problemas

Programa de solución de problemas

Problema	Causa	Solución
El motor no arranca	No hay alimentación	Enchufe en la máquina
	Cable defectuoso	Reemplace el cable
	Interruptor defectuoso	Reemplace el interruptor
	Arranque suave defectuoso	Reemplace el arranque suave
El motor se detiene inmediatamente después del arranque	Fusible incorrecto	Conecte para corregir el fusible
	Acceso directo en el cable/máquina	Solicite tareas de mantenimiento
El motor funciona, pero no hay aspiración	Manguera desconectada	Conecte la manguera
	Manguera bloqueada	Manguera limpia
	No hay bolsa de recolección de polvo	Ajuste el sistema de recolección de polvo
El motor funciona, pero hay poca de aspiración	Orificio en la manguera	Reemplace la manguera
	Filtro obstruido	Limpie o reemplace el filtro
	Cubierta superior suelta	Ajústela
	Suciedad en la tapa	Limpie la tapa
	Juntas defectuosas	Reemplace las juntas afectadas
Polvo proveniente del motor	Sistema de filtro dañado o montado incorrectamente	Ajuste/reemplace los filtros
Ruido anormal		Solicite tareas de mantenimiento

Transporte, almacenamiento y eliminación de residuos

Transporte del producto

- Asegúrese de que la bolsa Longopac está vacía antes de transporte
- Asegúrese de que la bolsa Longopac está fijada al producto durante el transporte.
- Use rampas o cabrestantes para levantar el extractor de polvo para asegurarse de que los movimientos sean seguros. Obtenga ayuda si no está seguro de cómo levantar equipo pesado.
- Fije el producto de manera segura durante el transporte para evitar daños y accidentes de transporte.

- Acople el bloqueo de la rueda de forma segura en las ruedas.
- Si es posible, transporte del producto durante buenas condiciones climáticas.
- Si es posible, utilice un vehículo cerrado durante el transporte del producto.

Almacenamiento del producto

- El producto debe ser almacenado en el interior, lejos de elementos exteriores.
- No exponga el producto a la lluvia o humedad.
- Fije el bloqueo de ruedas de forma segura.
- Desconecte el producto de la fuente de alimentación.

- Almacene el producto y el equipo en un lugar seco sin escarcha o calor excesivo.
- Almacene todo el equipo en un área cerrada, de manera que esté fuera del alcance de los niños y personas no autorizadas.

Eliminación del producto

- Obedezca las regulaciones vigentes y requisitos de reciclaje locales.
- Cuando el producto ya no se use, envíelo al distribuidor o deséchelo en un lugar de reciclaje.

Datos técnicos

Datos técnicos

Datos	S 26 [220 - 230 V]	S 36 [220 - 230 V]	S 13 [110 - 120 V]	S 26 [110 - 120 V]	S 36 [110 - 120 V]
Tensión nominal (1 fase), V	220 - 230	220 - 230	110 - 120	110 - 120	110 - 120
Frecuencia, Hz	50 - 60	50 - 60	50 - 60	50 - 60	50 - 60
Potencia (máx.), HP (kW)	3,2 (2,4)	4,8 (3,6)	1,6 (1,2)	3,2 (2,4)	3,2 (2,4)
Corriente (máx.), A	9	12	8	16	16
Flujo de aire (máx), cfm (m³/h)	236 (400)	354 (600)	129 (219)	258 (438)	285 (485)
Aspiración (máx), psi (kPa)	3,5 (24)	3,5 (24)	3,5 (24)	3,5 (24)	2,6 (18)
Elevación del agua, pulg.	100	100	100	100	80
Longitud de la manguera principal, pie (m)	25 (7,5)	33 (10)	13 (4)	25 (7,5)	33 (10)
Diámetro de la manguera principal, pulg. (mm)	2 (51)	2,5 (63)	1,5 (38)	2 (51)	2,5 (63)
Diámetro de entrada, pulg. (mm)	2,5 (63)	2,5 (63)	1,5 (38)	2,5 (63)	2,5 (63)
Salida auxiliar	No	Sí	No	No	No
Carga máxima salida auxiliar, W	N/A	3450	N/A	N/A	N/A
Prefiltro, % a 1 µm	99,95	99,95	99,95	99,95	99,95
Área del prefiltro, pie² (m²)	32 (3)	48 (4,5)	16 (1,5)	32 (3)	48 (4,5)
HEPA filter 99,99% a 0,3 µm	2	3	1	2	3
Área HEPA filter total, pie² (m²)	26 (2,4)	39 (3,6)	13 (1,2)	26 (2,4)	39 (3,6)
Sistema de recolección de polvo, tipo	Longopac	Longopac	Longopac	Longopac	Longopac

Datos	S 26 [220 - 230 V]	S 36 [220 - 230 V]	S 13 [110 - 120 V]	S 26 [110 - 120 V]	S 36 [110 - 120 V]
Mecanismo de limpieza del filtro	Pulso de chorro	Pulso de chorro	Pulso de chorro	Pulso de chorro	Pulso de chorro
Dimensiones (L*A*A), pulg. (mm)	29 x 21,5 x 50,2 (756 x 546 x 1275)	32,5 x 24,5 x 60 (830 x 620 x 1500)	26 x 15,8 x 43,3 (680 x 400 x 1100)	29 x 21,5 x 50,2 (756 x 546 x 1275)	32,5 x 24,5 x 60 (850 x 620 x 1500)
Peso – kg (lbs)	105 (47)	144 (65)	66 (29)	105 (47)	140 (63)
Nivel de potencia acústica medido en L_{WA} , dB(A) ⁴	87,3	92,4	99,9	87,3	92,4
Nivel de presión sonora L_{PA} en el oído del operador, dB(A) ⁵	76	79,6	84,5	76	79,6
Nivel de vibración a_h , m/s^{26}	$\leq 2,5$				

⁴ Emisiones de ruido en el medioambiente medidas como potencia acústica (LWA) de conformidad con la norma EN 60335-2-69. Incertidumbre Kwa 2dB.

⁵ Nivel de presión sonora de acuerdo con EN 60335-2-69. Incertidumbre KPA 2dB.

⁶ Nivel de vibración en conformidad con la norma EN 60335-2-69. Los datos informados para el nivel de vibración tienen una dispersión estadística común (desviación estándar) de $1 m/s^2$

Garantía

Se garantiza que el nuevo equipo comercializado por Husqvarna tiene defectos de fabricación en el uso normal durante un período de un (1) año a partir de la fecha de compra del comprador original. Los fabricantes de componentes ofrecen períodos de garantía por separado. Llame al departamento de Servicios técnicos al (800) 365-5040 para obtener información completa.

La obligación de Husqvarna conforme a esta garantía se limita expresamente al reemplazo o reparación en Husqvarna Construction, o en una instalación de servicio designada por nosotros, de dicha pieza o piezas que según la inspección deberán catalogarse como defectuosas.

Esta garantía no se aplica a los defectos causados por daños, uso no razonable o reparaciones defectuosas realizadas por otras personas o defectos causados por no haber realizado un mantenimiento razonable mientras se encontraba en posesión del consumidor. Además, la garantía será nula si el producto o cualquiera de sus componentes se encuentra alterado o modificado por el consumidor o si el producto se utiliza de una manera inadecuada o con una hoja no recomendada por el fabricante.

(*) Husqvarna ofrece 1 año de garantía en todos los equipos con las siguientes excepciones:

- Sierras planas grandes: 2 años (sierras planas con motor diésel o gasolina >30 hp)
- Motores de taladro de centrado DM 280/DM 340/DM 650: 2 años
- PG 530/PG 680/PG 820 (todas las variantes, incluido RC): 2 años o 1000 horas (cualquiera de los eventos que ocurra primero)
- Embrague de la cuchilla de sierras planas grandes: 6 meses

Los materiales desgastados no están cubiertos por la garantía:

- Correas
- Cojinetes**
- Ruedas del carro
- Filtros
- Ruedas**
- Almohadillas desgastadas
- Bujías

(**) Excepto el sistema IntelliSeal

(***) Excepto deslaminación

Table des matières

Introduction.....	30	Dépannage.....	40
Sécurité.....	34	Transport, entreposage et mise au rebut.....	41
Montage.....	36	Données techniques.....	41
Fonctionnement.....	36	Garantie.....	44
Entretien.....	38		

Introduction

Responsabilité du propriétaire



AVERTISSEMENT : La coupe, en particulier la coupe à sec, produit de la poussière qui provient du matériau coupé, qui contient souvent de la silice. La silice est un composant de base du sable, du quartz, de la brique d'argile, du granit et de nombreux autres pierres et minéraux. L'exposition à une quantité excessive de ces poussières peut entraîner :

Une maladie respiratoire (réduisant la capacité à respirer), notamment la bronchite chronique, la silicose et la fibrose pulmonaire causée par l'exposition à la silice. Ces maladies peuvent être fatales;

Des irritations et éruptions cutanées.

Le cancer, selon le NTP (National Toxicology Program) et le CIRC (Centre International de recherche sur le cancer).

Prendre les précautions suivantes :

Éviter l'inhalation et le contact cutané avec les poussières, brouillards et fumées.

Porter et veiller à ce que les personnes à proximité portent un dispositif de protection respiratoire approprié, tel un masque antipoussières filtrant les particules microscopiques. (Voir OSHA 29 CFR Part 1926.1153)

Pour réduire les émissions de poussières, effectuer une coupe humide lorsque cela est

possible. Si une découpe à sec est nécessaire, utiliser un extracteur de poussière adéquat.

Il est de la responsabilité du propriétaire ou de l'employeur de s'assurer que l'utilisateur possède les connaissances nécessaires pour manipuler le produit en toute sécurité. Les superviseurs et les utilisateurs doivent avoir lu et compris le manuel d'utilisation. Ils doivent être conscients des éléments suivants :

- Les consignes de sécurité relatives aux produits.
- L'éventail d'applications du produit et ses limites.
- La manière dont le produit doit être utilisé et entretenu.

Les règlements locaux ou nationaux peuvent limiter l'utilisation de ce produit. Rechercher les réglementations en vigueur où le travail est exécuté avant d'utiliser le produit.

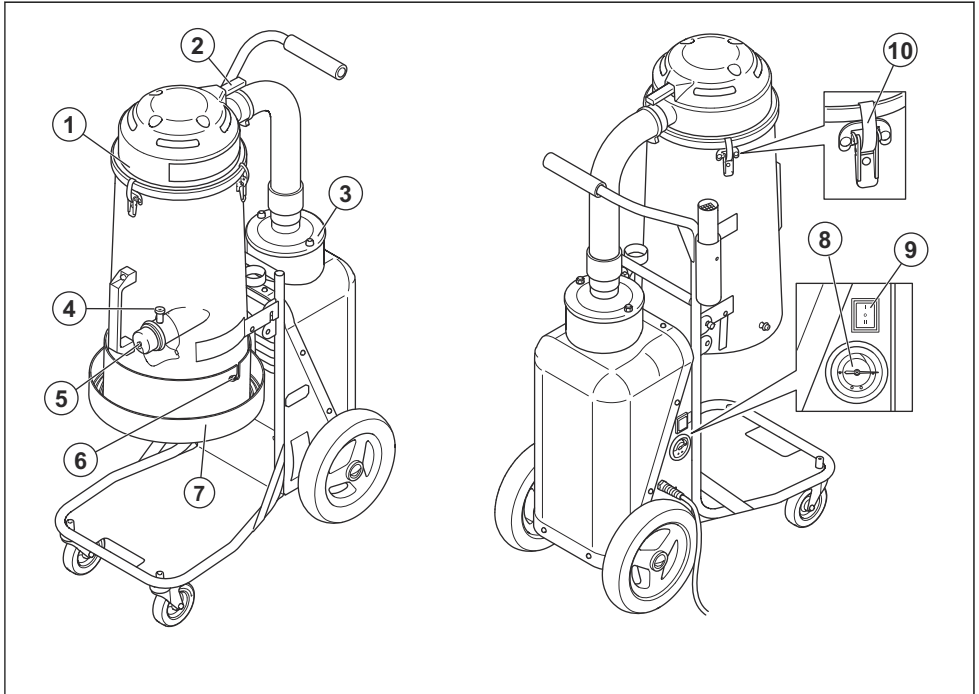
Description de l'outil

Le produit est un extracteur de poussière à une phase. L'air chargé de poussière passe par le tuyau d'aspiration dans la soupape d'admission. Le produit sépare les particules de poussière de l'air. Les particules tombent dans le sac en plastique situé au bas du produit.

Utilisation prévue

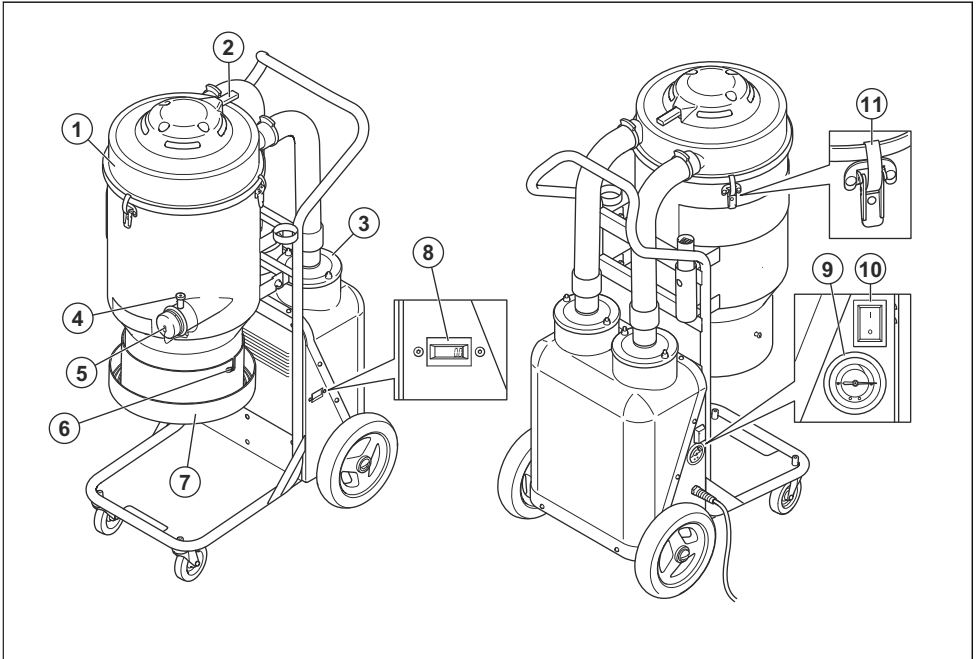
La machine est conçue pour aspirer et séparer des poussières sèches non combustibles dont la valeur limite d'explosion est supérieure à 0,1 mg/m³. Ne pas utiliser l'outil pour d'autres tâches.

Présentation du produit S 13



1. Préfiltre
2. Poignée à jet pulsé
3. HEPA filter
4. Verrouillage de flexible
5. Bouchon d'admission
6. Connexion Longopac
7. Support Longopac
8. Manomètre
9. MARCHE-ARRÊT
10. Fixation à bascule

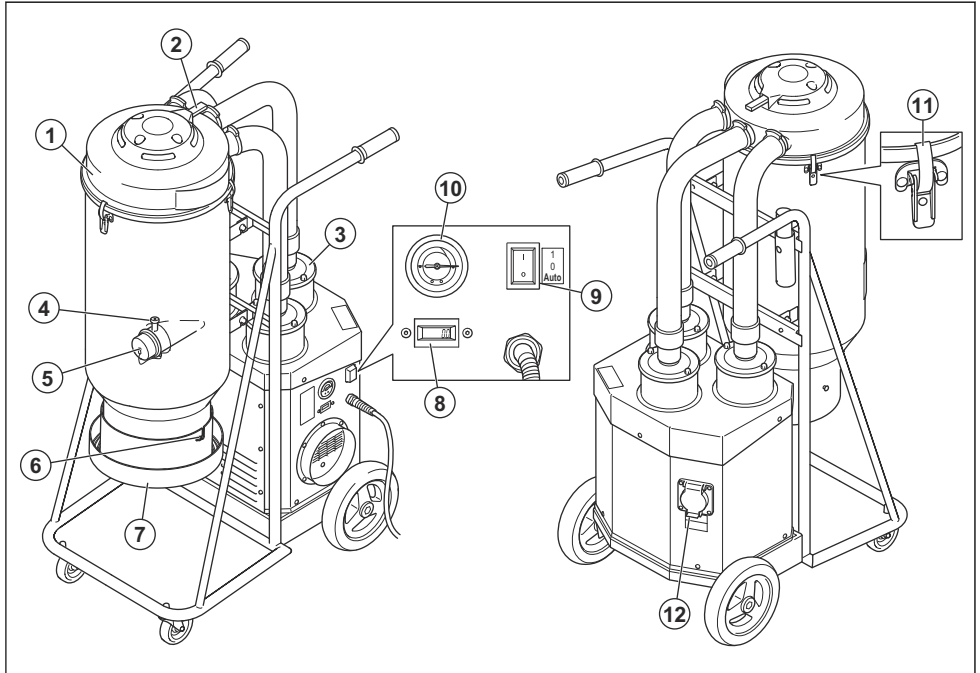
Présentation du produit S 26



1. Préfiltre
2. Poignée à jet pulsé
3. HEPA filter
4. Verrouillage de flexible
5. Bouchon d'admission
6. Connexion Longopac

7. Support Longopac
8. Compteur horaire
9. Manomètre
10. MARCHE-ARRÊT
11. Fixation à bascule

Présentation du produit S 36



1. Préfiltre
2. Poignée à jet pulsé
3. HEPA filter
4. Verrouillage de flexible
5. Bouchon d'admission
6. Connexion Longopac
7. Support Longopac
8. Compteur horaire
9. MARCHE-ARRÊT
10. Manomètre
11. Fixation à bascule
12. Boîte de distribution (230 V seulement)

Symboles figurant sur l'appareil



Lire attentivement le manuel d'utilisation et veiller à bien comprendre les instructions avant d'utiliser le produit.



Toujours utiliser un masque filtrant approprié.



Toujours utiliser un dispositif de protection homologué pour les oreilles.



Toujours utiliser un dispositif de protection homologué pour les yeux.

Responsabilité concernant le produit

Comme indiqué dans les lois en vigueur sur la responsabilité concernant les produits, nous ne serons pas tenus responsables des dommages que notre produit causerait dans les situations suivantes :

- Le produit n'est pas réparé de façon adéquate.
- Le produit est réparé avec des pièces qui ne sont pas fournies ou homologuées par le fabricant.
- Le produit comprend un accessoire qui n'est pas fourni ou homologué par le fabricant.
- Le produit n'est pas réparé par un centre de service après-vente agréé ou par une autorité homologuée.

Sécurité

Définitions relatives à la sécurité

Les avertissements, recommandations et remarques soulignent des points du manuel qui revêtent une importance particulière.



AVERTISSEMENT : Indique la présence d'un risque de blessure ou de décès de l'utilisateur ou de personnes à proximité si les instructions du manuel ne sont pas suivies.



MISE EN GARDE : Indique la présence d'un risque de dommages au produit, à d'autres appareils ou à la zone adjacente si les instructions du manuel ne sont pas suivies.

Remarque : Utilisé pour donner des renseignements plus détaillés qui sont nécessaires dans une situation donnée.

Consignes générales de sécurité



AVERTISSEMENT : Lire les messages d'avertissement avant d'utiliser le produit.

- Toujours faire preuve d'attention et de bon sens. En cas d'appréhension, arrêter la machine et demander l'avis d'un expert. Communiquer avec le distributeur, l'agent de maintenance ou un utilisateur expérimenté. Ne pas tenter d'effectuer des tâches si vous avez des doutes!
- Lire attentivement le manuel d'utilisation et bien comprendre les directives avant d'utiliser le produit. Conserver ces instructions et consignes pour consultation ultérieure.
- Garder en tête que c'est vous, l'opérateur, qui êtes responsable de protéger les personnes et leurs biens de tout accident ou danger.
- Le produit doit être propre. Les signes et les autocollants doivent être entièrement lisibles.
- La machine n'est pas destinée à être utilisée par des enfants ou des personnes aux capacités physiques, sensorielles ou mentales limitées ou manquant d'expérience et de connaissances.
- Ne laisser personne l'utiliser comme un jouet et ne pas jouer avec l'appareil. Porter une attention particulière lors de travaux effectués à proximité d'enfants.
- Tenir les enfants et les personnes non autorisées à l'écart de la machine lors de son utilisation.
- Les opérateurs doivent être suffisamment formés à l'utilisation de la machine.

- Ne jamais utiliser le produit sous l'effet de la fatigue ou sous l'emprise de drogues, de l'alcool, de médicaments ou de toute substance qui pourrait affecter la vision, l'attention, la coordination des gestes ou le jugement.
- Ne pas manipuler la fiche ou la machine avec les mains humides.
- Ne jamais utiliser un appareil défectueux. Effectuer les vérifications de sécurité, de maintenance et d'entretien conformément aux instructions fournies dans ce manuel. Certaines mesures de maintenance et d'entretien doivent être effectuées par des spécialistes formés et qualifiés. Se reporter aux instructions de la section *Entretien à la page 38*.

Consignes de sécurité électrique



AVERTISSEMENT : Lire les messages d'avertissement qui suivent avant d'utiliser l'appareil.

- L'extracteur de poussière est équipé d'un protecteur thermique de sécurité afin d'éviter toute surchauffe du moteur. Si le protecteur thermique s'active, désactiver la machine, débrancher le fil d'alimentation et vérifier si le sac à poussière est plein, le tuyau d'aspiration obstrué ou le filtre colmaté. Il est possible que le protecteur thermique prenne jusqu'à 45 minutes pour se réinitialiser.
- Avant d'utiliser l'extracteur de poussière, s'assurer que la tension d'alimentation correspond à la tension indiquée sur la plaque signalétique des machines, y compris les rallonges.
- Brancher les machines sur une prise mise à la terre correcte seulement. Se reporter à la section *Instructions de mise à la terre à la page 36*.
- Un mauvais branchement de l'équipement-conducteur de terre peut engendrer un risque d'électrocution. Si on n'est pas certain de savoir si la prise est correctement mise à la terre, demander l'aide d'un électricien de métier ou d'une personne chargée de l'entretien. Ne pas modifier la fiche fournie si elle n'est pas compatible avec la prise; demander à un électricien qualifié d'installer une nouvelle prise.
- Si on utilise une rallonge électrique, s'assurer que la caractéristique nominale du fil d'alimentation est adéquate pour cette machine.
- Les câbles endommagés par écrasement ou segmentation peuvent être dangereux en cas d'utilisation, et doivent être immédiatement remplacés.
- Ne pas utiliser si le fil ou la fiche sont endommagés. Si la machine ne fonctionne pas comme elle le devrait, si elle est tombée, si elle a été endommagée, si elle a été laissée dehors ou si elle est tombée dans l'eau, la rapporter au centre

d'entretien. S'assurer de la faire réparer par une personne qualifiée.

- Contrôler régulièrement le fil et la fiche à la recherche de dommages. Ne pas utiliser si le fil ou la fiche sont endommagés.
- Ne pas tirer sur le fil ou transporter l'appareil à l'aide de celui-ci. Ne pas fermer de porte sur le fil. Ne pas tirer le fil autour d'une arête ou d'un angle prononcé. Ne pas laisser l'équipement passer sur le fil. Tenir le fil éloigné de toute surface chaude.
- Ne pas débrancher en tirant le fil. Pour débrancher, tirer la fiche.
- Ne pas laisser la machine sans surveillance si celle-ci est branchée. Débrancher le fil de la prise si la machine n'est pas en cours d'utilisation ou si elle est en cours d'entretien.

Consignes de sécurité pour l'assemblage



AVERTISSEMENT : Lire les messages d'avertissement qui suivent avant d'assembler l'outil.

- Éteindre toutes les commandes avant de débrancher. Ne pas débrancher en tirant le fil. Pour débrancher, tirer la fiche.
- Les modifications et/ou les accessoires non autorisés peuvent entraîner des blessures graves ou la mort de l'utilisateur ou d'autres personnes.
- Toujours utiliser des accessoires d'origine.
- Utiliser seulement les accessoires décrits dans le présent manuel. Utiliser seulement les accessoires recommandés par le fabricant.
- S'assurer que la zone d'assemblage est ferme, de sorte que l'appareil ne se renverse pas. Risque de blessures et de dégâts matériels.
- Faire preuve de prudence, puisque les fixations à bascule peuvent causer des dommages à l'opérateur lors du montage du produit.

Consignes de sécurité pour l'utilisation



AVERTISSEMENT : Lire les messages d'avertissement qui suivent avant d'utiliser l'appareil.

- Utiliser le produit à l'intérieur seulement.
- Ne pas ramasser des éléments qui brûlent ou qui fument tels que des cigarettes, des allumettes ou de la cendre chaude.
- Ne pas utiliser pour ramasser un liquide combustible ou inflammable ou à proximité d'un tel liquide.
- Cette machine est conçue pour ramasser des poussières sèches, non inflammables, ainsi que des déchets, dans un environnement intérieur. Il n'est pas adapté au ramassage de liquides.

- Ne ramasser aucun type de liquide.
- Ne pas permettre l'accumulation de poussière, de cheveux et de tout élément qui peut réduire le flux d'air.
- Tenir les cheveux, les vêtements amples, les doigts et toute autre partie du corps éloignés des ouvertures et des pièces en mouvement.
- Porter une attention particulière lors du nettoyage dans les escaliers.
- Ne pas utiliser ce produit sans sac à poussière et/ou filtre. Remplacer le système de collecte et/ou les filtres comme décrit dans le présent manuel.
- Éteindre toutes les commandes avant de débrancher.

Équipement de protection personnelle



AVERTISSEMENT : Lire les messages d'avertissement qui suivent avant d'utiliser l'appareil.

- Toujours utiliser un équipement de protection personnelle homologué lors de l'utilisation. Cet équipement de protection personnelle n'élimine pas complètement les risques de blessures, mais il peut en réduire la gravité en cas d'accident. Communiquer avec votre centre de services pour obtenir des recommandations sur le matériel à utiliser.
- Utiliser des gants de protection homologués lors des opérations d'entretien sur la machine.

Sécurité de l'aire de travail



AVERTISSEMENT : Lire les messages d'avertissement qui suivent avant d'utiliser l'appareil.

- Ne pas utiliser à l'extérieur ou sur une surface mouillée; ce produit est destiné à un usage intérieur seulement.
- Ne pas exposer le produit à la pluie et à l'humidité; l'entreposer à l'intérieur seulement.

Consignes de sécurité pour la maintenance



AVERTISSEMENT : Lire les messages d'avertissement qui suivent avant d'utiliser l'outil.

- S'assurer que le commutateur du moteur se trouve à la position OFF (ARRÊT). Débrancher le produit de la prise murale.
- Ne pas modifier le produit de sa conception d'origine.
- Toutes les réparations doivent être effectuées par un technicien qualifié. Utiliser seulement les pièces de rechange fournies par le fabricant ou leur équivalent.

- Utiliser de l'équipement de protection homologué. Se reporter à la section *Équipement de protection personnelle à la page 35*
- Ne pas faire des trous dans l'HEPA filter. Un HEPA filter brisé peut disperser de la poussière.

Montage

Généralités

Vérifier que les accessoires suivants sont inclus :

- flexible avec raccords d'extrémité
- tube en acier
- buse de sol
- Adaptateur multiple (S 13/S 26 seulement)

Si l'une des pièces est manquante, en parler à l'atelier ou au représentant de votre région.

Pour les modèles dont les roues pivotantes avant ne sont pas assemblées en raison de la limite de capacité de l'emballage :

- Monter les roues pivotantes avant en utilisant la vis ou l'écrou et la rondelle compris dans l'emballage.

S'assurer de mettre l'emballage et les composants usagés du produit en suivant la procédure adéquate. Se reporter aux réglementations locales. S'assurer de recycler.

Pour monter le tuyau d'aspiration

Le produit est équipé d'un flexible d'admission doté d'un verrou. Le verrou du flexible permet d'assurer que l'adaptateur du tuyau d'aspiration tombe.

1. Soulever le verrou du flexible et monter l'adaptateur du tuyau d'aspiration.
2. Abaisser le verrou du flexible dans l'évidement de l'adaptateur.

Pour fixer l'embout du tuyau

La buse de sol est dotée de roues réglables. Régler les roues afin d'obtenir le meilleur effet d'aspiration. Régler les roues au moyen du bouton qui se trouve sur le côté arrière de la buse. Les roues et les bandes de caoutchouc de la buse sont remplaçables. Toujours garder la buse en bon état.

Fonctionnement

Introduction



AVERTISSEMENT : Avant d'utiliser la machine, veuillez lire et comprendre le chapitre sur la sécurité et les instructions d'utilisation.

conformément à tous les codes et décrets locaux.

Avant l'utilisation



AVERTISSEMENT : Avant d'utiliser l'extracteur de poussière, s'assurer que la tension d'alimentation correspond à la tension indiquée sur la plaque signalétique des machines, y compris les rallonges.

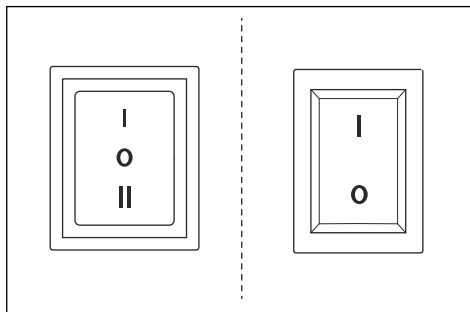
Démarrage et arrêt

Utiliser le commutateur pour démarrer l'extracteur de poussière.

Instructions de mise à la terre



AVERTISSEMENT : L'extracteur de poussière doit être mis à la terre. En cas de dysfonctionnement ou de panne, la mise à la terre fournit un chemin de moindre résistance au courant électrique afin de réduire le risque d'électrocution. L'extracteur de poussière est équipé d'un fil d'alimentation avec un conducteur de mise à la terre et une fiche de terre. La fiche doit être insérée dans une prise adéquate correctement installée et mise à terre



Commutateur de démarrage	Modèles avec démarrage automatique	Modèles sans démarrage automatique
Noir – 3 étapes	0 : Moteur à l'arrêt I : Moteur en marche II : Démarrage automatique	
Rouge – 2 étapes		0 : Moteur à l'arrêt I : Moteur en marche

Fonction de démarrage automatique

Pour utiliser l'extracteur de poussière avec une autre machine, on peut utiliser la prise électrique de l'extracteur de poussière. Brancher la machine dans cette prise. Par la suite, lorsqu'on démarre la machine, l'extracteur de poussière démarre également après environ 2 secondes. Lorsqu'on l'arrête, l'extracteur de poussière continue de fonctionner pendant environ 10 secondes pour vider le flexible, puis s'arrête.

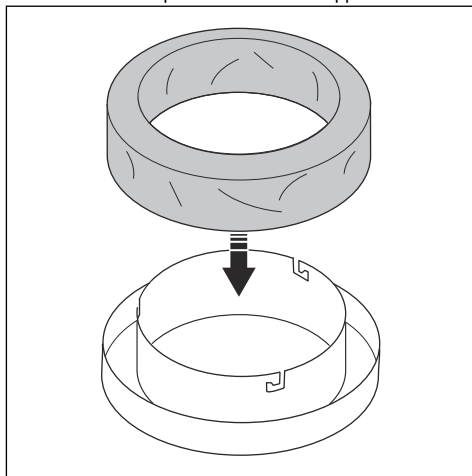
Assemblage d'un nouveau sac à poussière Longopac



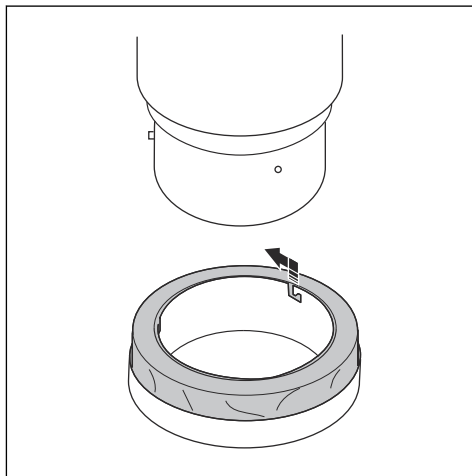
AVERTISSEMENT : Toujours nettoyer le préfiltre avant de changer le système de collecte du sac.

Remarque : L'extracteur de poussière est doté d'un système Longopac.

1. Placer le sac à poussière dans le support.

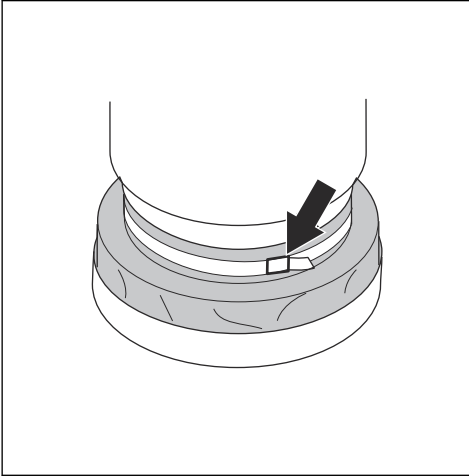


2. Fixer le porte-sac dans le conteneur en faisant levier sur les broches de maintien.

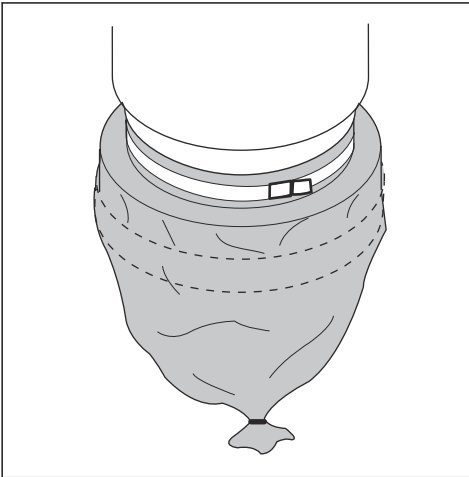


3. Retirer le sac du porte-sac en tirant vers le haut pour le placer autour du conteneur.

4. Serrer une sangle autour du sac et du récipient pour fixer le sac dans le conteneur.



5. Placer le sac à poussière au-dessus du porte-sac.
6. Fermer la base du sac à poussière au moyen d'une attache de câble.



Nettoyage du filtre



MISE EN GARDE : Si l'aspiration ne s'améliore pas, le préfiltre doit être remplacé. Si l'aspiration ne s'améliore toujours pas, les filtres HEPA doivent être remplacés. Voir les instructions à la section *Pour changer le filtre HEPA à la page 40.*

Le filtre doit être nettoyé de temps en temps. Il faut le faire avant de changer le système de collecte à sac de plastique, et il faut également le faire lorsque le travail est terminé ou lorsque l'aspiration est insuffisante.

1. Pendant que l'extracteur de poussière fonctionne, boucher l'admission à l'aide du bouchon d'admission ou de la soupape d'admission.
2. Laisser le dust extractor générer un vide pendant 5 secondes, puis appuyer rapidement sur la poignée à jet pulsé et la garder enfoncée pendant 5 secondes.
3. Répéter l'étape 2 à cinq reprises. Il est important de laisser le dust extractor générer de nouveau un vide entre chaque répétition.
4. Si l'aspiration ne s'améliore pas, le filtre doit être remplacé. Remplacer le sac de plastique seulement après avoir nettoyé le filtre.

Entretien

Introduction



AVERTISSEMENT : Utiliser un équipement de protection individuelle pour effectuer l'entretien; se reporter à la section *Équipement de protection personnelle à la page 35*. De la poussière peut se disperser pendant les travaux d'entretien et de réparation.



AVERTISSEMENT : La plupart des accidents impliquant des machines se produisent lors des travaux de dépannage, d'entretien ou de maintenance, lorsqu'un membre du personnel pénètre dans la zone de risque de la machine. Pour éviter les accidents, rester attentif, planifier et préparer le travail à effectuer.



AVERTISSEMENT : Le moteur doit, sauf mention contraire, être éteint lors des opérations décrites dans ce chapitre.

doivent être effectuées que par un électricien agréé.



AVERTISSEMENT : Toutes les vérifications relatives aux composants électriques ne

Calendrier d'entretien S - Line Dust Extractor

La fréquence d'entretien est calculée sur la base d'une utilisation quotidienne. Les intervalles changent si le produit n'est pas utilisé tous les jours.

Entretien	Avant chaque usage	Quotidien	Hebdomadaire	Si l'aspiration est faible	6 mois ou 1 000 h	12 mois ou 2 000 h
S'assurer de l'absence de traces d'usure, de dommage ou de raccords desserrés au niveau des commandes avant de brancher la machine.	X					
Vérifier si le sac à poussière/Longopac est en bon état.		X				
Vérifier le mécanisme de nettoyage du filtre.		X				
Vérifier les roues. S'assurer de l'absence de dommages et de raccords desserrés.			X			
Nettoyer le préfiltre.				X		
Remplacer le préfiltre.					X	
Remplacer l'HEPA filter				X		X

Nettoyage de l'extracteur de poussière

Il est important de nettoyer l'extracteur de poussière pour éviter toute circulation de poussière dangereuse. Nettoyer toujours l'extracteur de poussière avant de le déplacer en dehors de la zone de travail.



AVERTISSEMENT : Placer le commutateur de moteur à la position d'arrêt et débrancher le fil de la prise murale avant de nettoyer le produit ou effectuer des tâches d'entretien dessus.

- Tous les équipements utilisés doivent être considérés comme étant contaminés et être traités par après.
- Toutes les pièces contaminées après intervention pour entretien doivent être éliminées dans des sacs en plastique selon la procédure adéquate. Se reporter à la réglementation locale.

- Utiliser un équipement personnel pour nettoyer le produit. Se reporter à la section *Équipement de protection personnelle* à la page 35.
- Nettoyer la surface externe au moyen d'un chiffon humide.
- Nettoyer les filtres et l'extracteur de poussière dans la zone adéquate.
- Aspirer le préfiltre à vide à partir de l'extérieur. Pour ne pas endommager le filtre HEPA, toujours utiliser des aspirateurs à poussière et une brosse douce.
- Ne pas utiliser de l'eau sur les composants électriques.
- Ne pas nettoyer l'extracteur de poussière sous une pression élevée (air ou eau).
- Ne pas placer d'outil sur la surface du filtre, cela peut endommager le filtre.
- Ne pas faire un trou dans l'HEPA filter, car cela peut causer un risque pour la santé.

Remplacement du filtre



AVERTISSEMENT : Utiliser un équipement de protection individuelle pour changer le filtre; se reporter à la section *Équipement de protection personnelle* à la page 35. De la poussière peut se disperser lors du changement de filtre.



AVERTISSEMENT : Lors du remplacement du filtre, toujours placer le commutateur du moteur à la position Off (Arrêt) et débrancher le fil de la prise secteur.

Pour changer le filtre HEPA



MISE EN GARDE : Ne pas nettoyer les filtres HEPA. Le nettoyage d'un filtre HEPA entraîne sa destruction. Lors de l'installation du nouveau filtre, s'assurer de ne pas toucher l'intérieur du filtre. Toute force exercée à l'intérieur du filtre ou tout dommage à cet endroit entraîne la destruction du filtre neuf.

Remarque : Intervalles recommandés de remplacement des filtres : Le préfiltre tous les 6 mois et les filtres HEPA tous les 12 mois.

1. Desserrer les vis du couvercle de filtre.
2. Soulever délicatement le filtre et le placer dans un sac de plastique propre, lequel doit être éliminé adéquatement.
3. Insérer un filtre neuf dans l'ordre inverse.

Pour remplacer le préfiltre



MISE EN GARDE : Au moment de retirer le préfiltre à des fins de nettoyage, utiliser seulement de l'eau à basse pression de l'intérieur vers l'extérieur. Le fait de frapper le filtre avec force, de le laver à l'aide d'eau à haute pression ou d'utiliser de l'air comprimé détruit le filtre. Le filtre doit être parfaitement sec avant de le réinstaller dans son boîtier.

1. Desserrer les 3 fixations à bascule et retirer la partie supérieure.
2. Prendre le sac du filtre neuf.
3. Sortir le filtre et le placer délicatement dans un sac de plastique. Ce sac doit être éliminé adéquatement.
4. Insérer un filtre neuf.

Dépannage

Annexe sur le dépannage

Problème	Causes	Solution
Le moteur ne démarre pas	Il n'y a pas de courant	Brancher la machine
	Câble défectueux	Remplacer le câble
	Commutateur défectueux	Remplacer le commutateur
	Le démarrage sans à-coups est défectueux	Remplacer le démarrage sans à-coups
Le moteur s'arrête immédiatement après le démarrage	Fusible incorrect	Raccorder le bon fusible
	Court-circuit au niveau du câble/de la machine	Demander un entretien
Le moteur tourne mais il n'y a pas d'aspiration	Le flexible n'est pas raccordé	Raccorder le flexible
	Flexible obstrué	Nettoyer le flexible
	Pas de sac de collecte de poussière	Mettre en place un système de collecte de poussière

Problème	Causes	Solution
Le moteur tourne mais l'aspiration est faible	Trou dans le flexible	Remplacer le flexible
	Le filtre est bouché	Nettoyer ou remplacer le filtre
	Couvercle supérieur desserré	Le serrer
	Saleté dans le clapet	Nettoyer le clapet
	Joints défectueux	Remplacer les joints en question
Le moteur rejette de la poussière	Système de filtres mal assemblé ou endommagé	Ajuster ou remplacer les filtres
Bruit anormal		Demander un entretien

Transport, entreposage et mise au rebut

Transport du produit

- S'assurer que le sac Longopac est vide avant le transport
- S'assurer que le sac Longopac est fixé au produit pendant le transport.
- Utiliser des rampes ou des treuils pour soulever l'extracteur de poussière afin de s'assurer que les mouvements sont sécuritaires. Obtenir l'aide si on n'est pas sûr de la procédure de levage des équipements lourds.
- Pendant le transport, immobiliser le produit en toute sécurité afin d'éviter les dommages et les accidents dus au transport.
- Engager le verrouillage de sécurité des roulettes sur les roues.
- Dans la mesure du possible, transporter le produit dans des conditions météorologiques favorables.
- Si possible, utiliser un véhicule fermé pour transporter le produit.

Entreposage du produit

- Le produit doit être remis à l'intérieur, à l'écart des éléments extérieurs.
- Ne pas exposer le produit à la pluie ou l'humidité.
- Monter le verrouillage de sécurité des roulettes en toute sécurité.
- Débrancher le produit de la source d'alimentation.
- Conserver le produit et l'équipement dans un endroit sec, sans gel ni chaleur excessive.
- Remiser l'ensemble de l'équipement dans une zone verrouillable, de façon à le mettre hors de portée des enfants et des personnes non autorisées.

Mise au rebut du produit

- Respecter les exigences locales en matière de recyclage et la réglementation en vigueur.
- Lorsqu'on n'utilise plus le produit, l'envoyer à un détaillant ou le mettre au rebut à un emplacement de recyclage.

Données techniques

Données techniques

Données	S 26 [220 – 230 V]	S 36 [220 – 230 V]	S 13 [110 – 120V]	S 26 [110 – 120V]	S 36 [110 – 120V]
Tension nominale (monophasé), V	220 – 230	220 – 230	110 – 120	110 – 120	110 – 120
Fréquence, Hz	50 – 60	50 – 60	50 – 60	50 – 60	50 – 60
Puissance (max), HP (kW)	3,2 (2,4)	4,8 (3,6)	1,6 (1,2)	3,2 (2,4)	3,2 (2,4)

Données	S 26 [220 – 230 V]	S 36 [220 – 230 V]	S 13 [110 – 120V]	S 26 [110 – 120V]	S 36 [110 – 120V]
Courant (max), A	9	12	8	16	16
Débit d'air (max), cfm (m³/h)	236 (400)	354 (600)	129 (219)	258 (438)	285 (485)
Aspiration max. lb/po² (kPa)	3,5 (24)	3,5 (24)	3,5 (24)	3,5 (24)	2,6 (18)
Élévation d'eau, po	100	100	100	100	80
Longueur du flexible principal, pi (m)	25 (7,5)	33 (10)	13 (4)	25 (7,5)	33 (10)
Diamètre du flexible principal, po (mm)	2 (51)	2,5 (63)	1,5 (38)	2 (51)	2,5 (63)
Diamètre d'entrée po (mm)	2,5 (63)	2,5 (63)	1,5 (38)	2,5 (63)	2,5 (63)
Sortie auxiliaire	Non	Oui	Non	Non	Non
Charge max. prise auxiliaire, W	S.O.	3450	S.O.	S.O.	S.O.
Préfiltre, % à 1 µm	99,95	99,95	99,95	99,95	99,95
Zone de préfiltre, pi²/m²	32 (3)	48 (4,5)	16 (1,5)	32 (3)	48 (4,5)
HEPA filter 99,99 % à 0,3 µm	2	3	1	2	3
Surface totale HEPA filter, pi² (m²)	26 (2,4)	39 (3,6)	13 (1,2)	26 (2,4)	39 (3,6)
Système de collecte de la poussière, type	Longopac	Longopac	Longopac	Longopac	Longopac
Mécanisme de nettoyage du filtre	Jet pulsé	Jet pulsé	Jet pulsé	Jet pulsé	Jet pulsé
Dimensions (L*H), po (mm)	29 x 21,5 x 50,2 (756 x 546 x 1275)	32,5 x 24,5 x 60 (830 x 620 x 1500)	26 x 15,8 x 43,3 (680 x 400 x 1100)	29 x 21,5 x 50,2 (756 x 546 x 1275)	32,5 x 24,5 x 60 (850 x 620 x 1500)
Poids, lb (kg)	105 (47)	144 (65)	66 (29)	105 (47)	140 (63)
Niveau de puissance acoustique garanti (L _{WA}), dB(A) ⁷	87,3	92,4	99,9	87,3	92,4
Niveau de pression sonore L _{PA} au niveau de l'oreille de l'utilisateur, en dB(A) ⁸	76	79,6	84,5	76	79,6

⁷ Émission du bruit dans l'environnement mesurée en tant que puissance acoustique (L_{WA}) conforme à la directive EN 60335-2-69. Incertitude Kwa 2dB.

⁸ Niveau de pression sonore selon la directive EN 60335-2-69. Incertitude KPA 2dB.

Données	S 26 [220 – 230 V]	S 36 [220 – 230 V]	S 13 [110 – 120V]	S 26 [110 – 120V]	S 36 [110 – 120V]
Niveau de vibrations ah, m/s 2 ⁹	≤2,5				

⁹ Niveau de vibration selon EN 60335-2-69. Les données signalées pour le niveau de vibration présentent une dispersion statistique type (écart standard) de 1 m/s².

Garantie

Le nouvel équipement vendu par Husqvarna est garanti exempt de tout défaut de fabrication en fonctionnement normal pour une période d'un (1) an à partir de la date de l'achat par le consommateur acheteur initial. Les fabricants des pièces proposent des périodes de garantie distinctes. Pour obtenir tous les renseignements, communiquer avec le service technique au 800 365-5040.

En vertu de cette garantie, l'obligation de Husqvarna est expressément limitée au remplacement ou à la réparation chez Husqvarna Construction Products, ou à un atelier d'entretien désigné par nos soins, des pièces jugées défectueuses lors de l'inspection.

Cette garantie ne s'applique pas aux défauts occasionnés par des dommages, une utilisation abusive, des réparations inadéquates effectuées ailleurs ou aux défauts causés par l'absence d'un entretien raisonnable, pendant que le consommateur est en possession du produit. Par ailleurs, la garantie est nulle si le produit, ou l'un de ses composants sont modifiés par le consommateur ou si le produit est utilisé d'une façon inappropriée ou avec des lames non recommandées par le fabricant.

(*) Husqvarna offre une garantie de 1 an sur tous les équipements avec les exceptions suivantes :

- Grandes scies à lame plate – 2 ans (scies à lame plate diesel et essence > 30 hp)
- Moteurs de forage DM 280/DM 340/DM 650 – 2 ans
- PG 530/PG 680/PG 820 (toutes les variantes, y compris RC) – 2 ans ou 1 000 heures (selon ce qui vient en premier)
- Embrayage de lame sur les grandes scies à lame plate – 6 mois

Les pièces d'usure ne sont pas couvertes par la garantie :

- Courroies
- Roulements**
- Roues de chariot
- Filtres
- Roues***
- Plaques d'usure
- Bougies d'allumage

(**) Sauf système IntelliSeal

(***) Sauf délaminage.

Original instructions
Instrucciones originales
Instructions d'origine

1140479-49



2018-11-23