

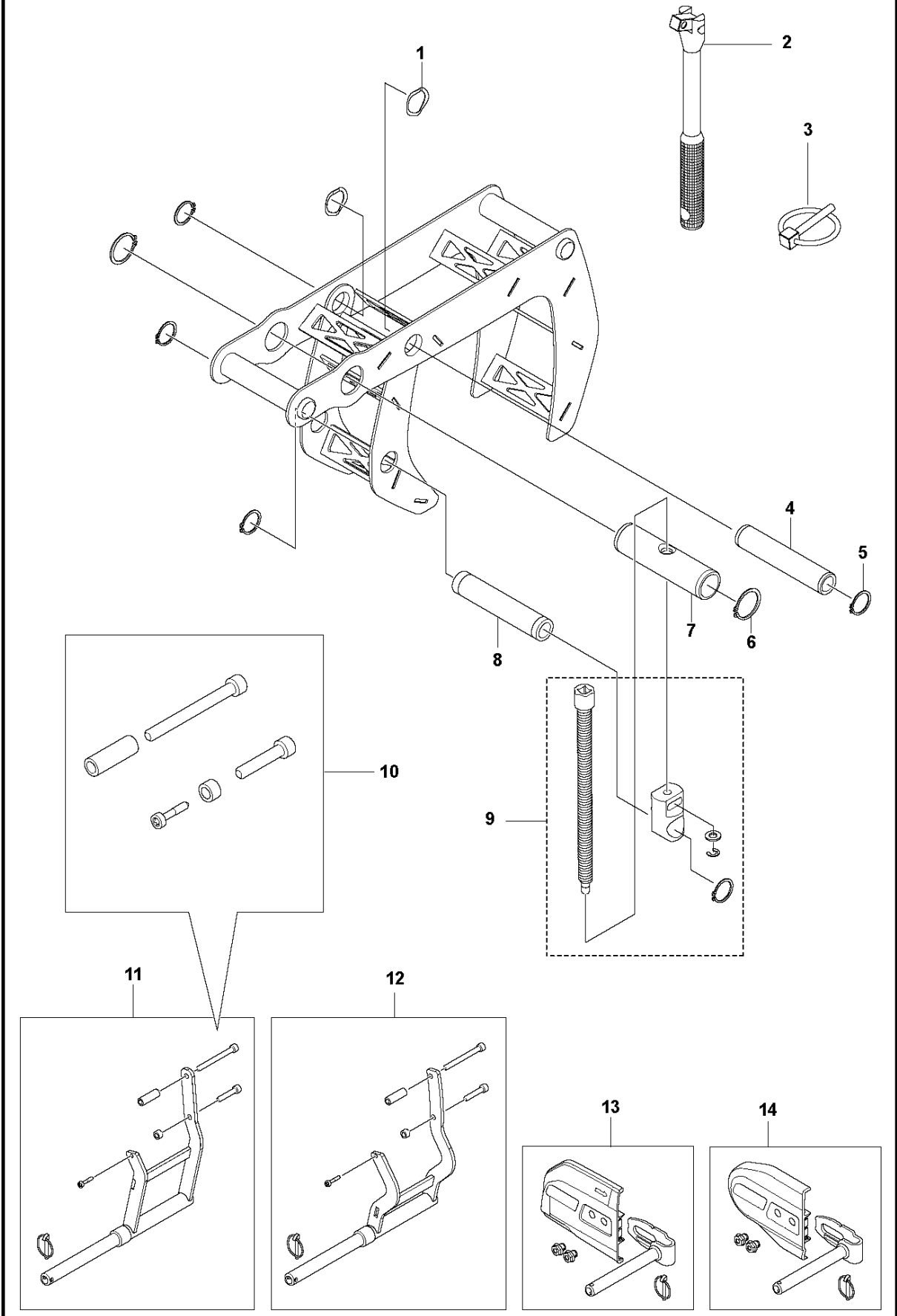


# SPARE PARTS LIST

POWER CUTTERS

PIPE CLAMP, 2020-02

**A** PIPE CLAMP  
PRODUCT COMPLETE



## PRODUCT COMPLETE

## PIPE CLAMP, 2020-02

Ref	Part No	Description	Remark	QTY KIT
1	593 57 37-01	WASHER		2
2	593 37 49-01	SOCKET WRENCH		1
3	531 14 06-23	PEN		1
4	589 37 26-01	SHAFT		1
5	735 31 30-00	CIRCLIP		4
6	735 31 37-00	CIRCLIP		2
7	592 64 15-01	SHAFT		1
8	589 37 26-02	SHAFT		1
9	597 49 32-01	SCREW KIT		1
10	597 49 33-01	SCREW KIT	K 970 RING	1
10	597 49 34-01	SCREW KIT	K 6500 RING	1
11	590 70 88-02	ADAPTER	K 6500 RING	1
12	590 70 88-03	ADAPTER	K 970 RING	1
13	593 36 87-01	PIPE CLAMP	K 970 CHAIN	1
14	593 36 87-02	PIPE CLAMP	K 6500 CHAIN	1