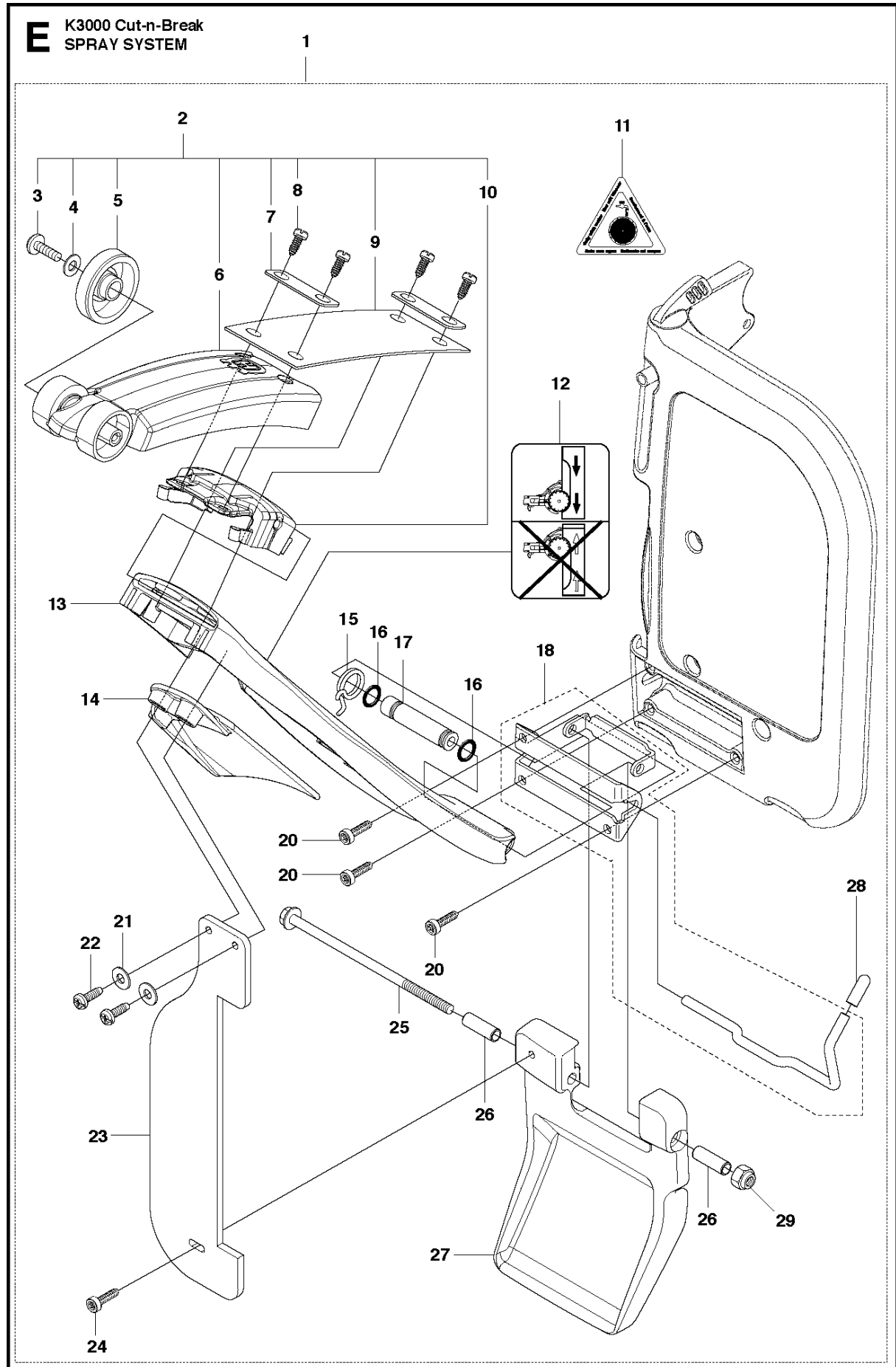




SPARE PARTS LIST

POWER CUTTERS

K3000 Cut-n-Break, 2013-06

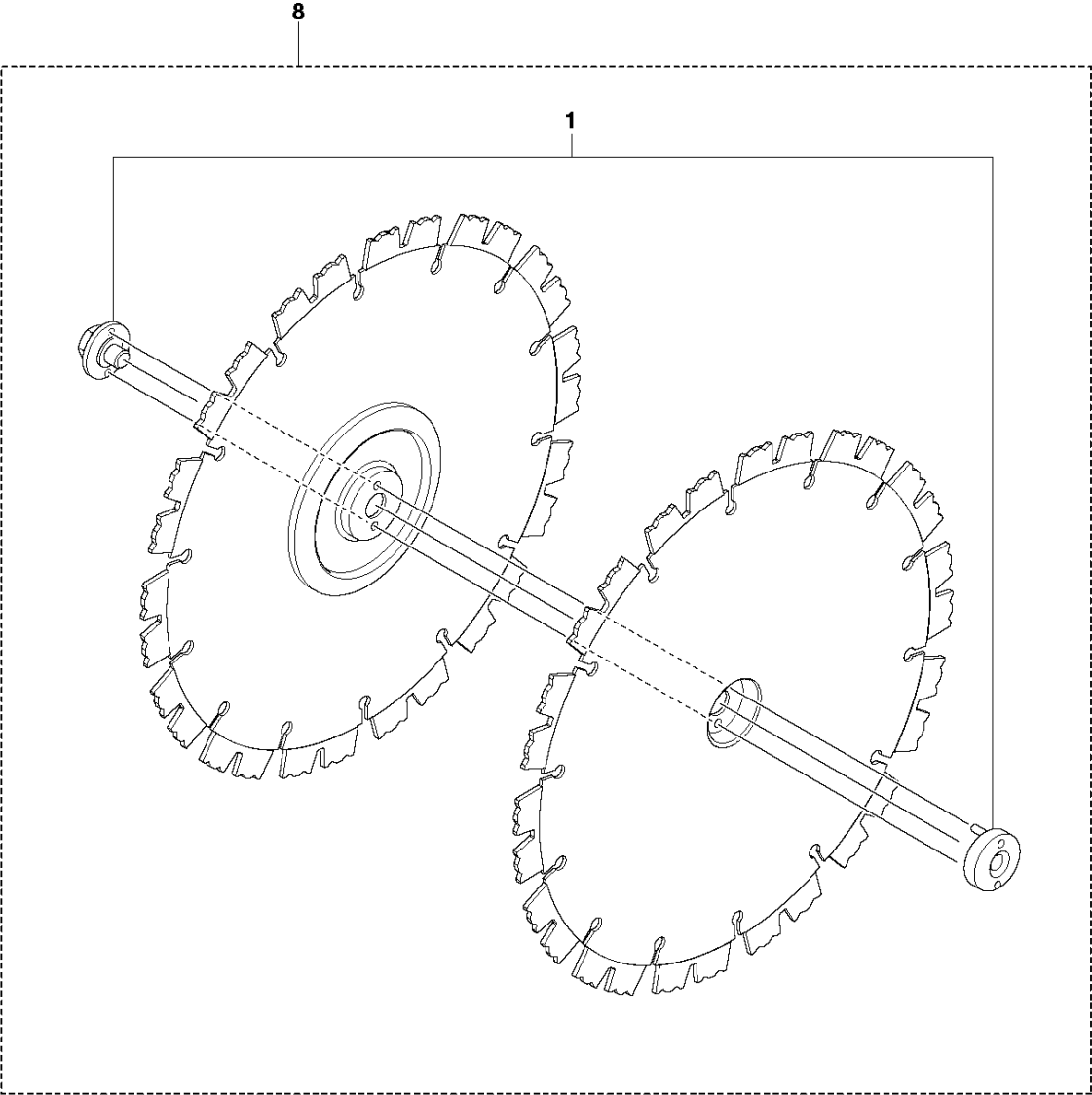


SPRAY SYSTEM

K3000 Cut-n-Break, 2013-06

Ref	Part No	Description	Remark	QTY KIT
1	504 61 29-03	SPRAY GUARD	Incl. 2, 11 - 28	1
2	510 05 66-01	SPRAY GUARD	Incl. 3 - 10	1
3	503 21 46-01	SCREW		2
4	734 48 80-01	WASHER		2
5	506 26 22-02	WHEEL		2
6	510 00 72-01	SPRAY GUARD		1
7	510 20 20-01	WASHER		2
8	503 21 27-16	SCREW CRPANT		4
9	510 20 24-01	BAND		1
10	510 00 73-01	GUIDE		1
11	504 79 36-01	LABEL		1
12	522 03 81-01	DECAL		1
13	544 97 60-03	SPRAY GUARD		1
14	504 04 94-01	SPRAY GUARD		1
15	506 40 60-01	SPRING		1
16	740 42 05-00	O-RING		2
17	506 40 37-01	BUSHING		1
18	587 29 30-01	RETAINER		1
20	504 90 94-14	SCREW ITXSCT		3
21	503 23 00-11	WASHER		2
22	503 21 27-13	SCREW CCRPANT		2
23	525 83 37-01	SPRAY GUARD		1
24	510 26 92-16	SCREW ITXSCT		1
25	503 21 53-96	SCREW ITXSCM		1
26	522 55 85-01	GUIDE BUSHING		2
27	505 14 86-01	FENDER		1
28	505 38 88-01	COVER LID		1
29	503 22 24-01	LOCK NUT		1

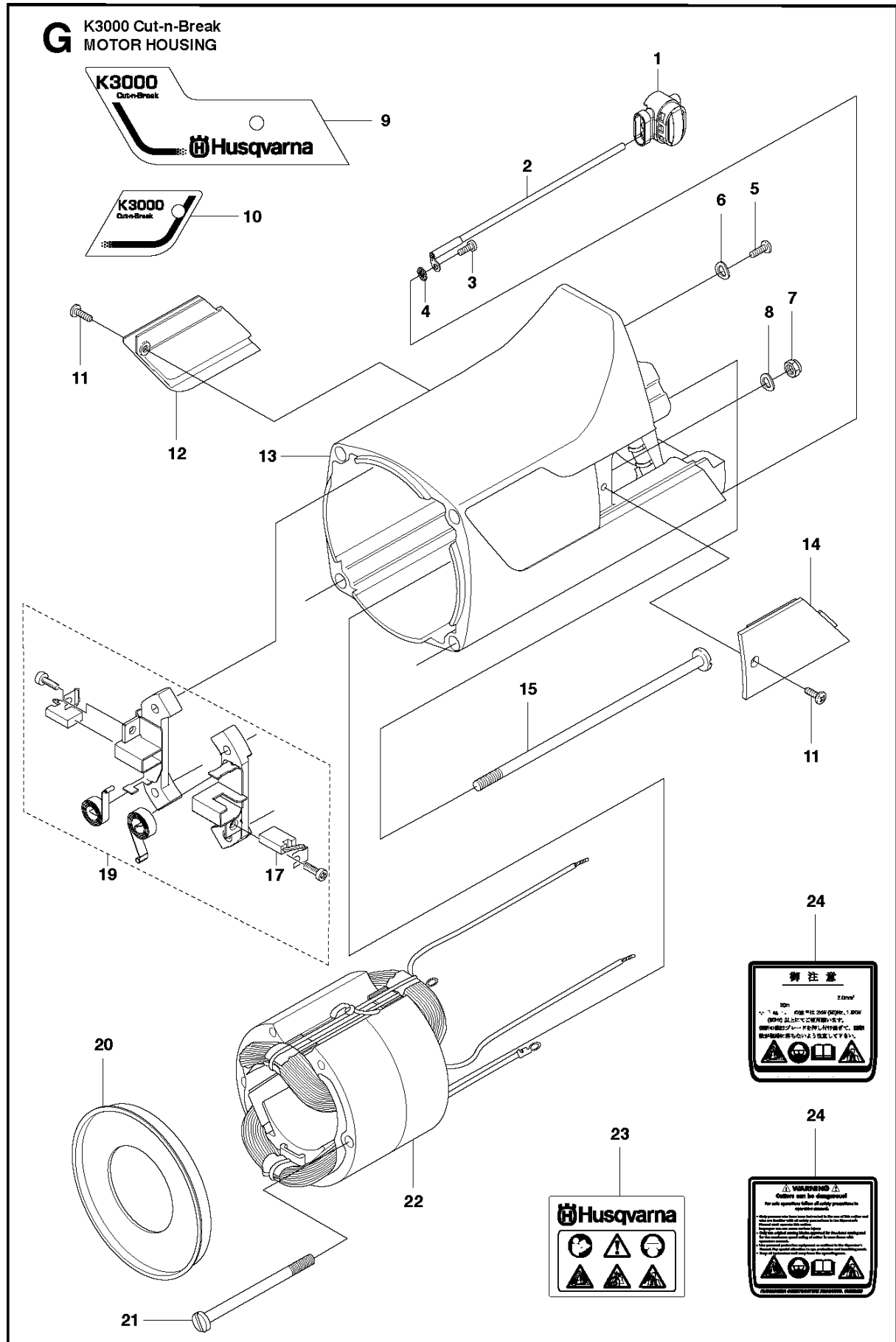
B K3000 CUT-N-BREAK
CUTTING BLADE



CUTTING BLADE

K3000 Cut-n-Break, 2013-06

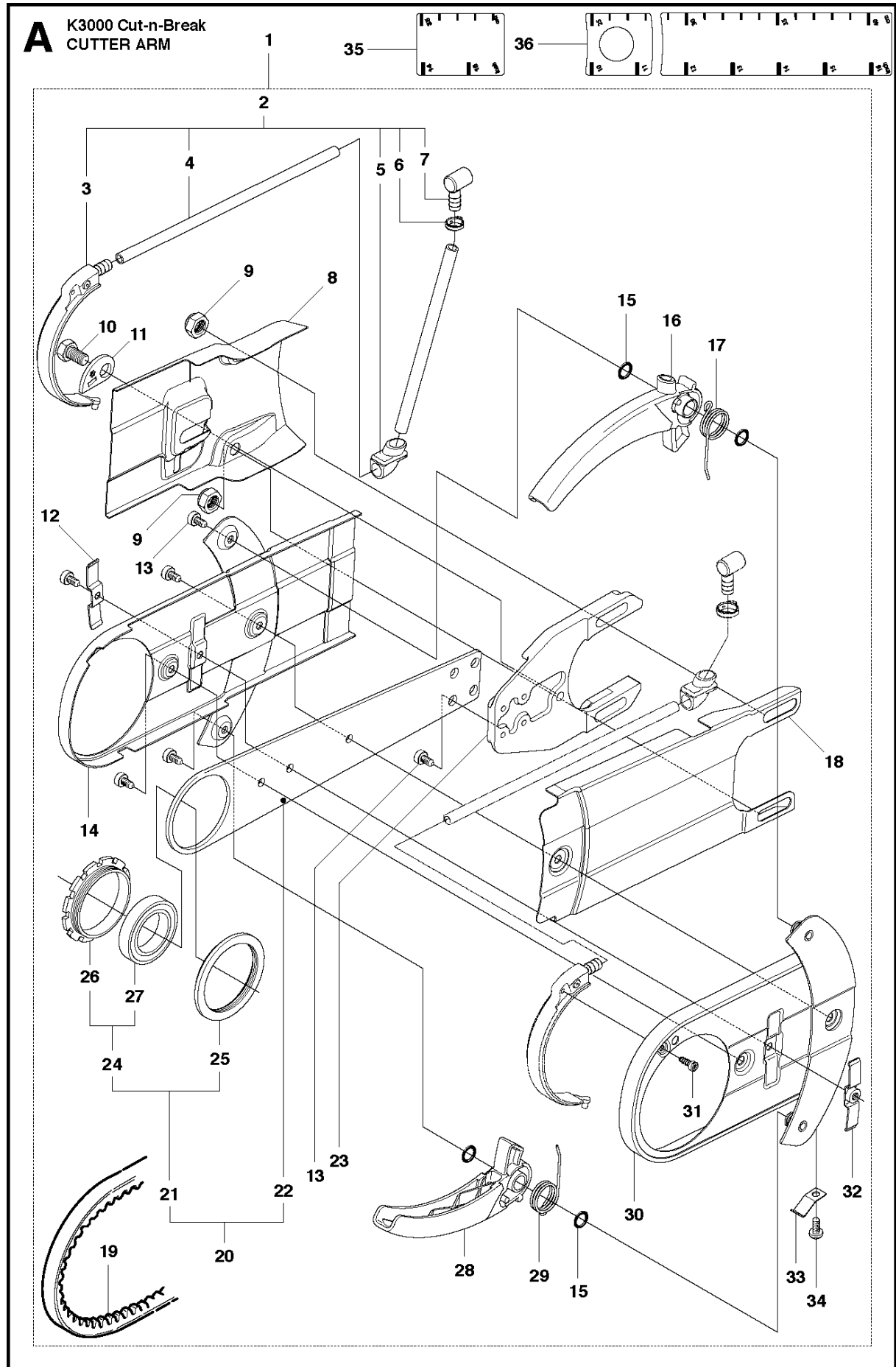
Ref	Part No	Description	Remark	QTY KIT
1	501 00 88-06	SCREW KIT		1
8	574 83 62-02	DIAMOND BLADE	EL35CNB	1
8	574 83 62-02	DIAMOND BLADE	EL35CNB	1
8	574 83 62-03	DIAMOND BLADE	EL70CnB	1
8	574 83 62-01	DIAMOND BLADE	EL10CnB	1



MOTOR HOUSING

K3000 Cut-n-Break, 2013-06

Ref	Part No	Description	Remark	QTY	KIT
1	501 98 02-01	COUPLER		1	
2	577 38 40-01	CABLE ASSY		1	
3	724 12 22-01	SCREW CRPANM		1	
4	735 21 24-01	LOCKWASHER		1	
5	724 12 91-01	SCREW CRPANM		3	
5	724 12 97-01	SCREW CRPANM		1	
6	735 11 36-50	SPRING WASHER		4	
7	732 21 14-01	LOCK NUT		2	
8	735 11 46-50	SPRING WASHER		2	
9	544 90 33-03	LABEL		1	
10	544 90 33-04	LABEL		1	
11	729 57 76-01	SCREW CCRPANT		1	
12	544 90 02-01	LID		1	
13	544 89 87-01	MOTOR HOUSING		1	
14	544 89 94-01	LID		1	
15	505 53 03-11	SCREW		1	
17	589 91 12-01	CARBON BRUSH	230V	2	19
17	589 91 12-02	CARBON BRUSH	120V	1	19
19	581 05 85-05	BRUSH HOLDER	230V	1	
19	581 05 85-06	BRUSH HOLDER	120V	1	
20	505 53 03-07	AIR STREAM DIRECTOR		1	
21	506 22 53-01	SCREW		2	
22	582 58 41-02	STATOR ASSY	120V, From S/N: 20175000088	1	
22	582 58 41-01	STATOR ASSY	230V, From S/N: 20175000088	1	
23	544 98 40-01	LABEL		1	
24	506 38 44-15	LABEL	JP	1	
24	506 38 43-14	LABEL	USA	1	

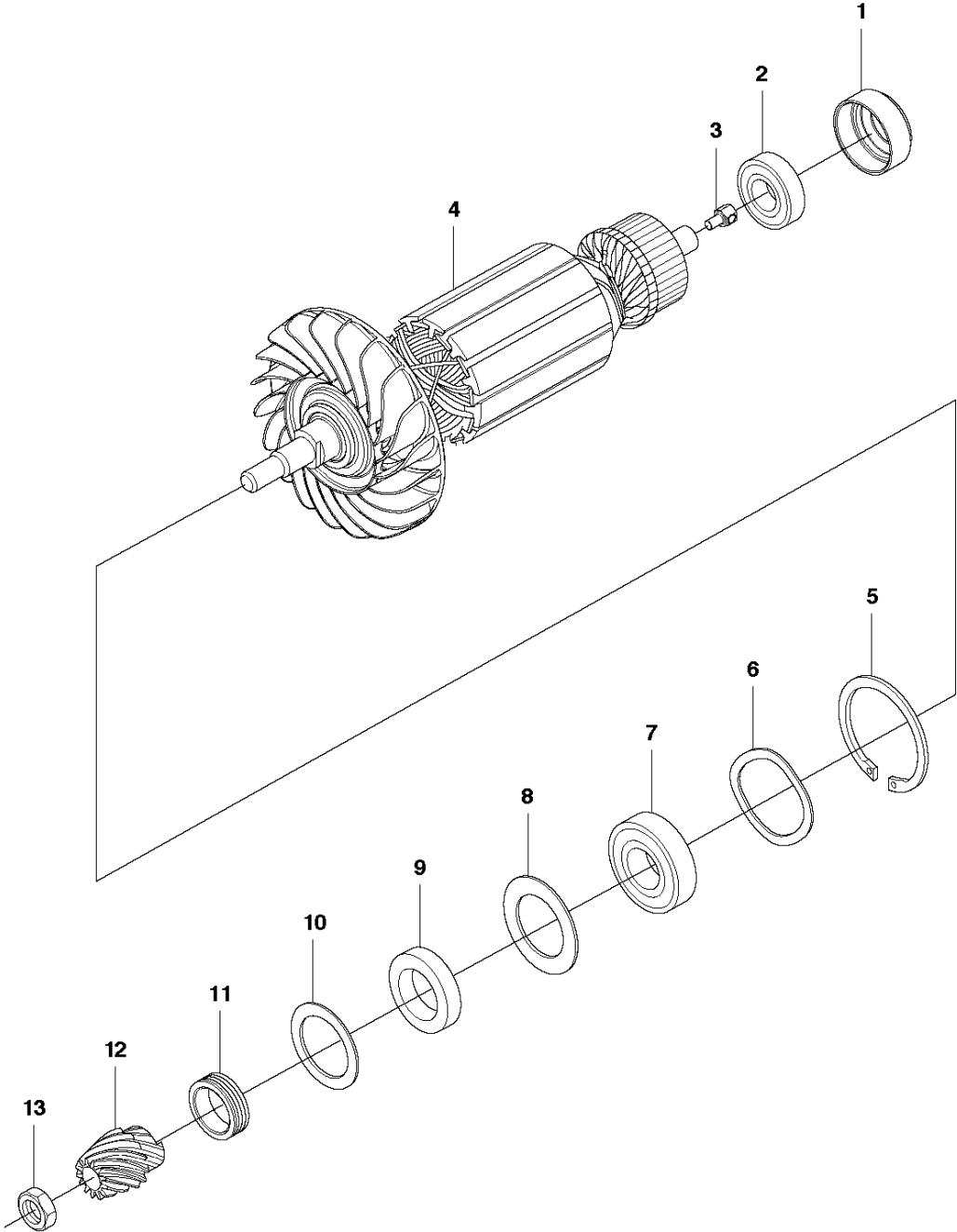


CUTTER ARM

K3000 Cut-n-Break, 2013-06

Ref	Part No	Description	Remark	QTY KIT
1	504 61 31-02	CUTTER ARM	Incl. 2 - 34	1
2	544 10 50-05	HOSE	Incl. 3 - 7	1
3	504 87 52-01	SEALING		1
4	544 04 17-02	HOSE		1
5	506 40 57-02	GROMMET		1
6	506 09 56-05	HOSE CLAMP		1
7	506 40 98-02	NIPPLE		1
8	544 95 24-01	BELT GUARD		1
9	731 23 18-01	HEXAGON NUT		2
10	725 24 45-71	SCREW EHHM		1
11	544 42 98-01	ECCENTRIC		1
12	506 40 56-01	DEFLECTION LIMITER		1
13	503 21 53-10	SCREW ITXSCM		9
14	544 42 15-01	BELT GUARD ASSY		1
15	503 26 30-08	O-RING		4
16	506 40 64-03	BLADE GUARD		1
17	506 40 61-01	SPRING		1
18	544 42 14-01	BELT GUARD ASSY		1
19	506 37 27-20	BELT		1
20	577 34 17-01	BAR	Incl. 21 - 22	1
21	504 14 25-01	KIT	Incl. 24 - 25	1
22	574 44 75-01	BAR PLATE		1
23	522 47 27-01	BAR BRACKET		1
24	544 10 57-03	BEARING CAGE	Incl. 26 - 27	1
25	506 40 29-02	BUSHING		1
26	506 40 28-02	BEARING CAGE		1
27	544 10 59-01	BEARING		1
28	506 40 65-02	BLADE GUARD		1
29	506 40 61-02	SPRING		1
30	506 40 46-02	WEAR PROTECTION		1
31	503 21 28-10	SCREW CCRPANT		1
32	506 40 56-02	DEFLECTION LIMITER		1
33	506 40 51-01	STOP		1
34	724 12 84-01	SCREW CRPANM		1
35	544 37 44-02	LABEL		1
36	505 47 37-01	LABEL		1

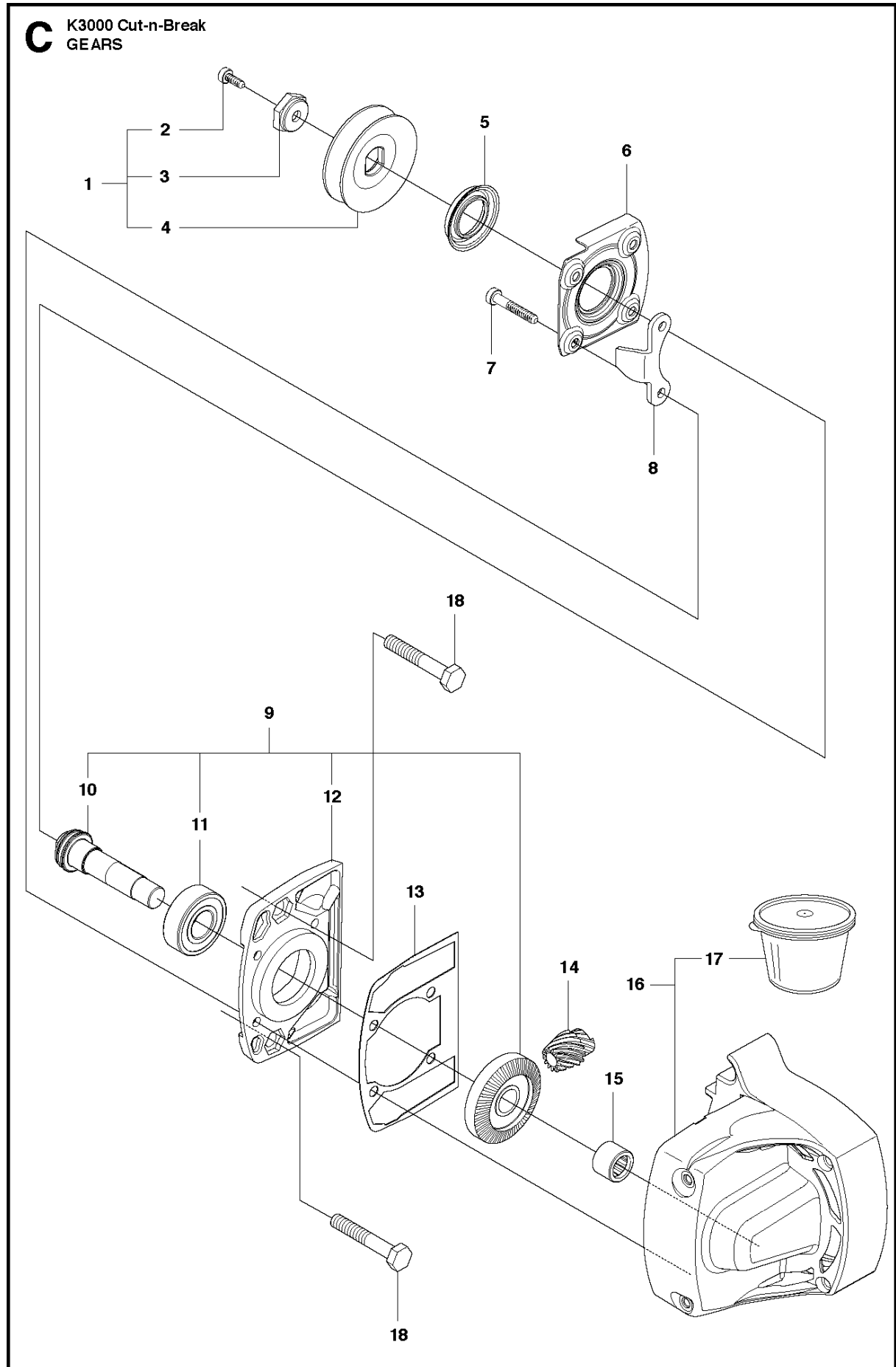
F K3000 Cut-n-Break
MOTOR



MOTOR

K3000 Cut-n-Break, 2013-06

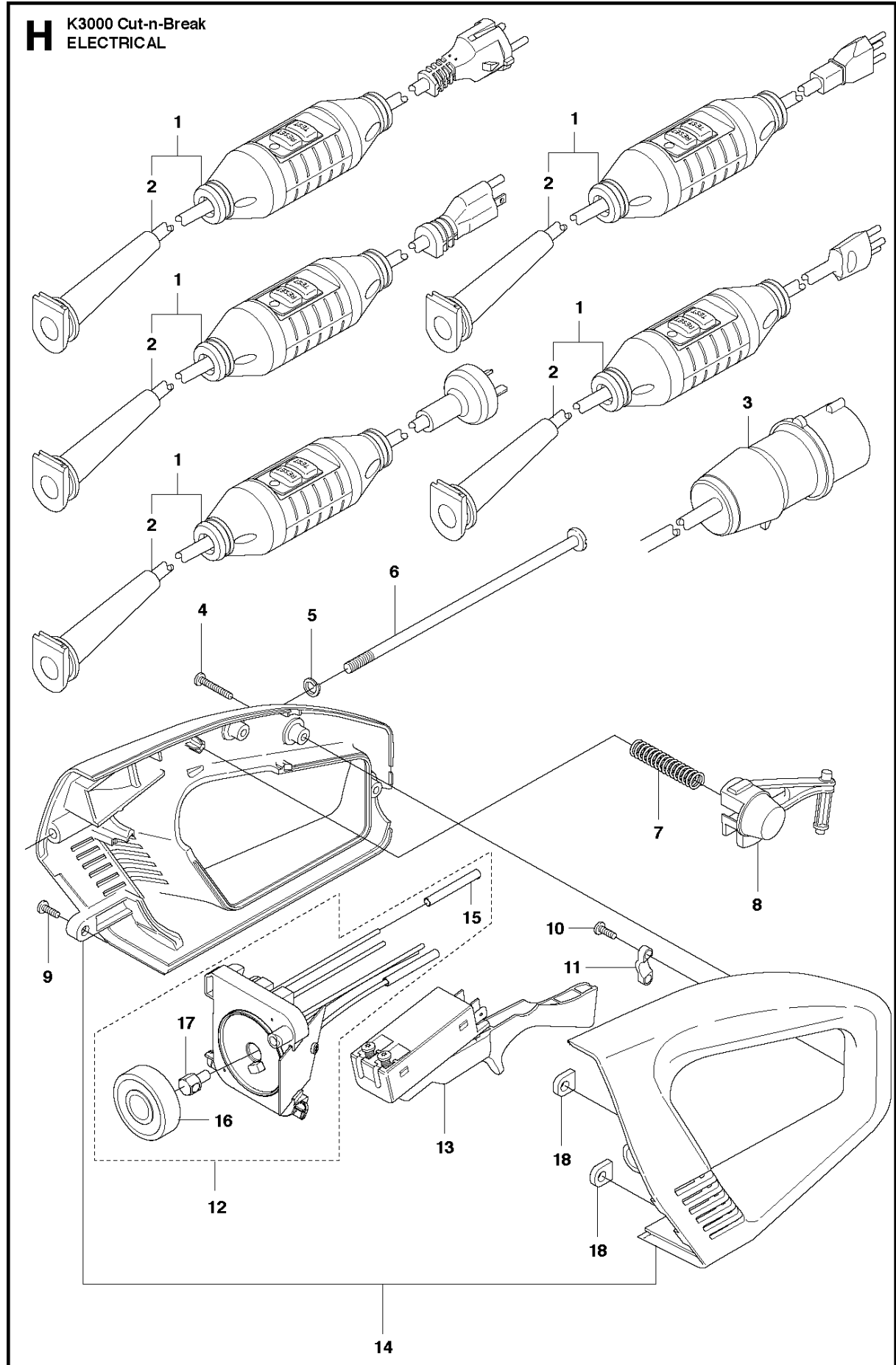
Ref	Part No	Description	Remark	QTY KIT
1	577 06 66-01	RUBBER BUSHING		1
2	503 25 09-01	BEARING		1
3	579 25 62-01	SCREW		1
4	582 58 66-02	ROTOR	120V, From S/N: 20175000088	1
4	582 58 66-01	ROTOR	230V, From S/N: 20175000088	1
5	735 31 33-10	CIRCLIP		1
6	505 53 03-51	SPRING WASHER		1
7	583 95 33-01	BALL BEARING		1
8	505 53 03-16	SPACER		1
9	505 53 03-41	GASKET		1
10	505 53 03-52	SPACER		1
11	505 53 03-19	SPACER		1
12	505 45 41-01	PINION		1
13	523 12 24-02	NUT		1



GEARS

K3000 Cut-n-Break, 2013-06

Ref	Part No	Description	Remark	QTY KIT
1	505 40 29-01	DRIVING PULLEY ASSY	Incl. 2 - 4	1
2	544 21 84-20	SCREW ITXSCM		1
3	504 03 83-01	SPACING SLEEVE		1
4	544 43 39-01	DRIVING PULLEY		1
5	506 32 06-01	SEALING		1
6	544 43 41-01	FLANGE		1
7	503 21 53-25	SCREW ITXSCM		4
8	544 43 37-01	BRACKET		1
9	544 42 66-01	GEAR SET	Incl. 10 - 12	1
10	544 42 64-01	GEAR WHEEL SHAFT		1
11	583 95 33-01	BALL BEARING		1
12	544 42 65-01	COVER		1
13	504 11 03-03	GASKET		1
14	505 45 41-01	PINION		1
15	503 25 53-01	NEEDLE BEARING		1
16	574 21 43-02	GEAR HOUSING	Incl. 17	1
17	574 20 30-01	GREASE		1
18	725 24 53-71	SCREW EHHM		2

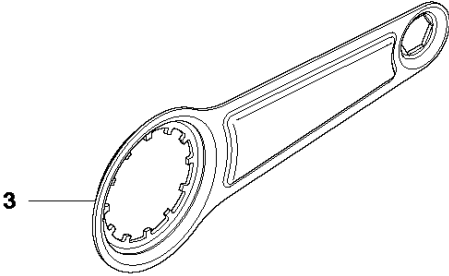
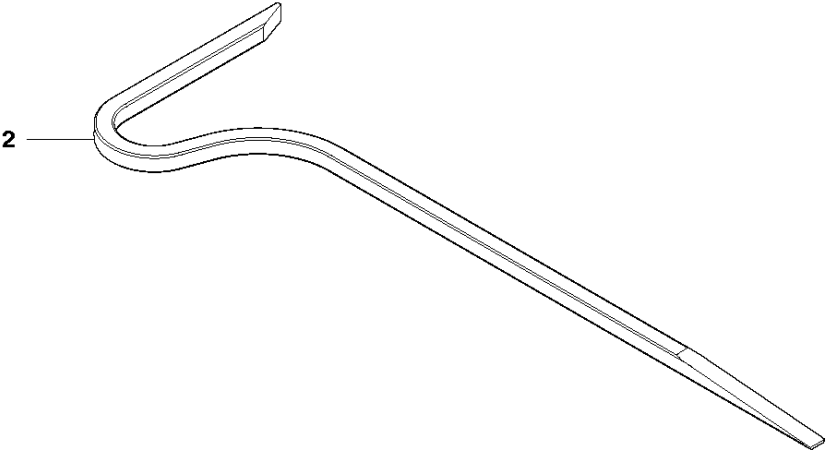
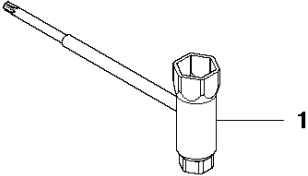


ELECTRICAL

K3000 Cut-n-Break, 2013-06

Ref	Part No	Description	Remark	QTY	KIT
1	505 44 33-03	CABLE	230V	1	
1	510 18 13-02	CABLE	110V JP, USA	1	
1	521 90 72-03	CABLE	230V AU	1	
1	585 39 36-08	CABLE	230V BR, incl. 2	1	
1	521 90 74-03	CABLE	230V, CH	1	
2	577 41 18-01	CABLE SLEEVE	230V	1	
3	510 18 14-01	CABLE	110V UK	1	
4	531 03 19-02	SCREW		3	
5	735 11 46-50	SPRING WASHER		1	
6	505 53 03-11	SCREW		1	
7	531 03 18-85	SPRING		1	
8	544 90 06-01	LOCKING BUTTON		1	
9	724 13 27-55	SCREW CRPANM		1	
10	503 21 20-01	SCREW		2	
11	531 03 18-87	CLIP		1	
12	587 03 22-01	ELECTRONIC BOX	110V	1	
12	587 03 22-02	ELECTRONIC BOX	230V	1	
13	531 03 18-83	SWITCH		1	
14	544 90 45-01	HANDLE ASSY		1	
15	578 03 26-01	SLEEVE		1	12
16	577 06 66-01	RUBBER BUSHING		1	12
17	579 25 62-01	SCREW		1	12
18	577 52 52-01	NUT		2	

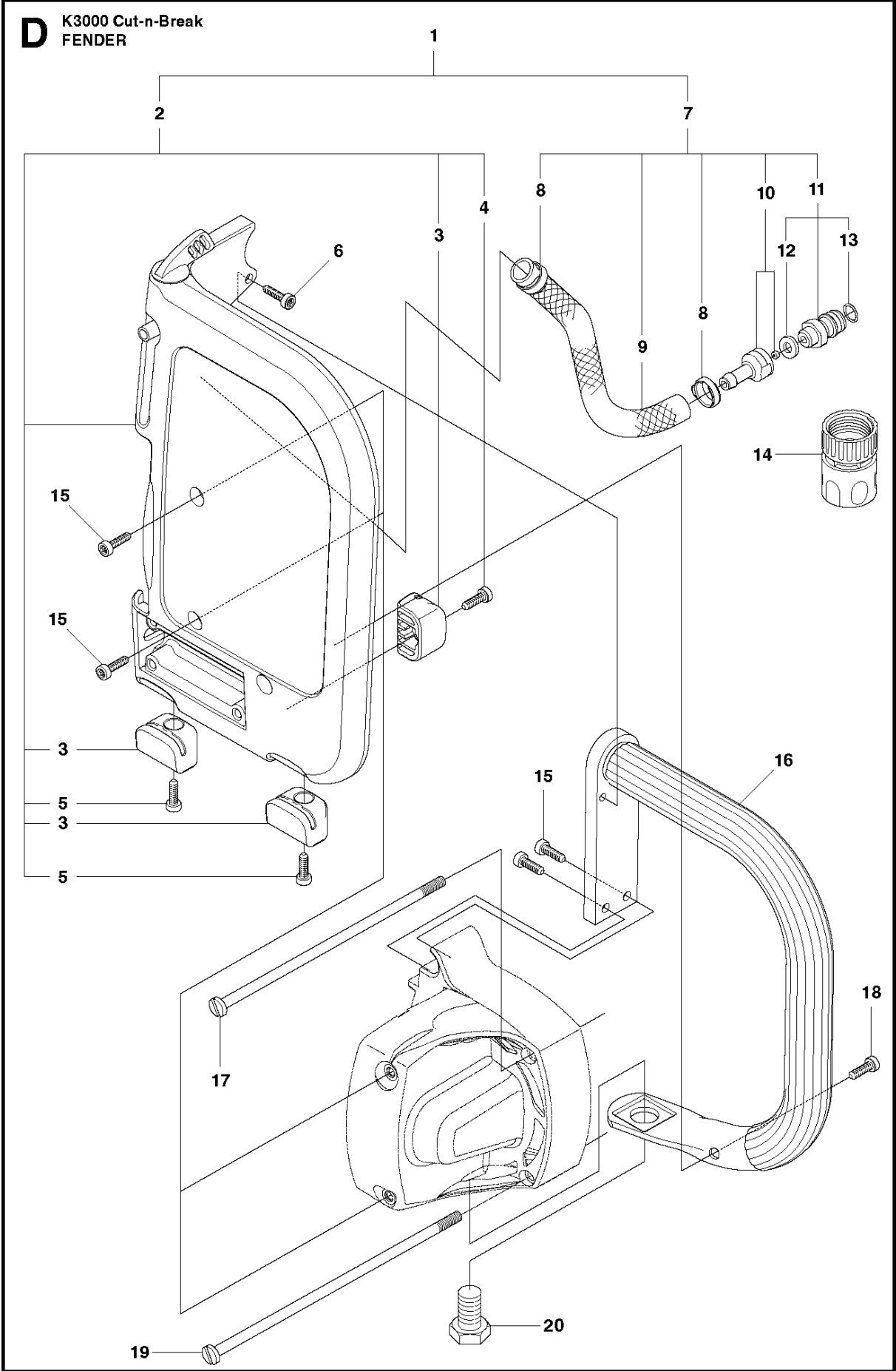
J K3000 Cut-n-Break
TOOLS



TOOLS

K3000 Cut-n-Break, 2013-06

Ref	Part No	Description	Remark	QTY KIT
1	506 38 26-01	TOOL		2
2	544 17 80-03	TOOL		1
3	544 17 81-01	PULLER		1



Ref	Part No	Description	Remark	QTY KIT
1	504 61 28-02	FENDER		1
2	504 61 28-03	FENDER		1
3	544 98 32-01	GROUND SUPPORT		3
4	504 90 94-10	SCREW ITXSCT		1
5	504 90 94-14	SCREW ITXSCT		2
6	503 21 53-10	SCREW ITXSCM		1
7	510 08 16-01	HOSE ASSY		1
8	506 49 87-02	HOSE CLAMP		2
9	506 60 75-02	HOSE		1
10	522 93 48-02	NIPPLE		1
11	510 11 20-01	NIPPLE		1
12	531 07 42-60	WASHER		1
13	505 10 35-01	O-RING		1
14	503 26 60-03	COUPLER		1
14	503 26 60-04	COUPLER		1
15	503 21 53-16	SCREW ITXSCM		4
16	540 01 83-01	FRONT HANDLE ASSY		1
17	505 53 03-11	SCREW		1
18	504 90 94-25	SCREW ITXSCT		1
19	531 03 18-94	SCREW		1
20	531 03 12-76	SCREW		1