

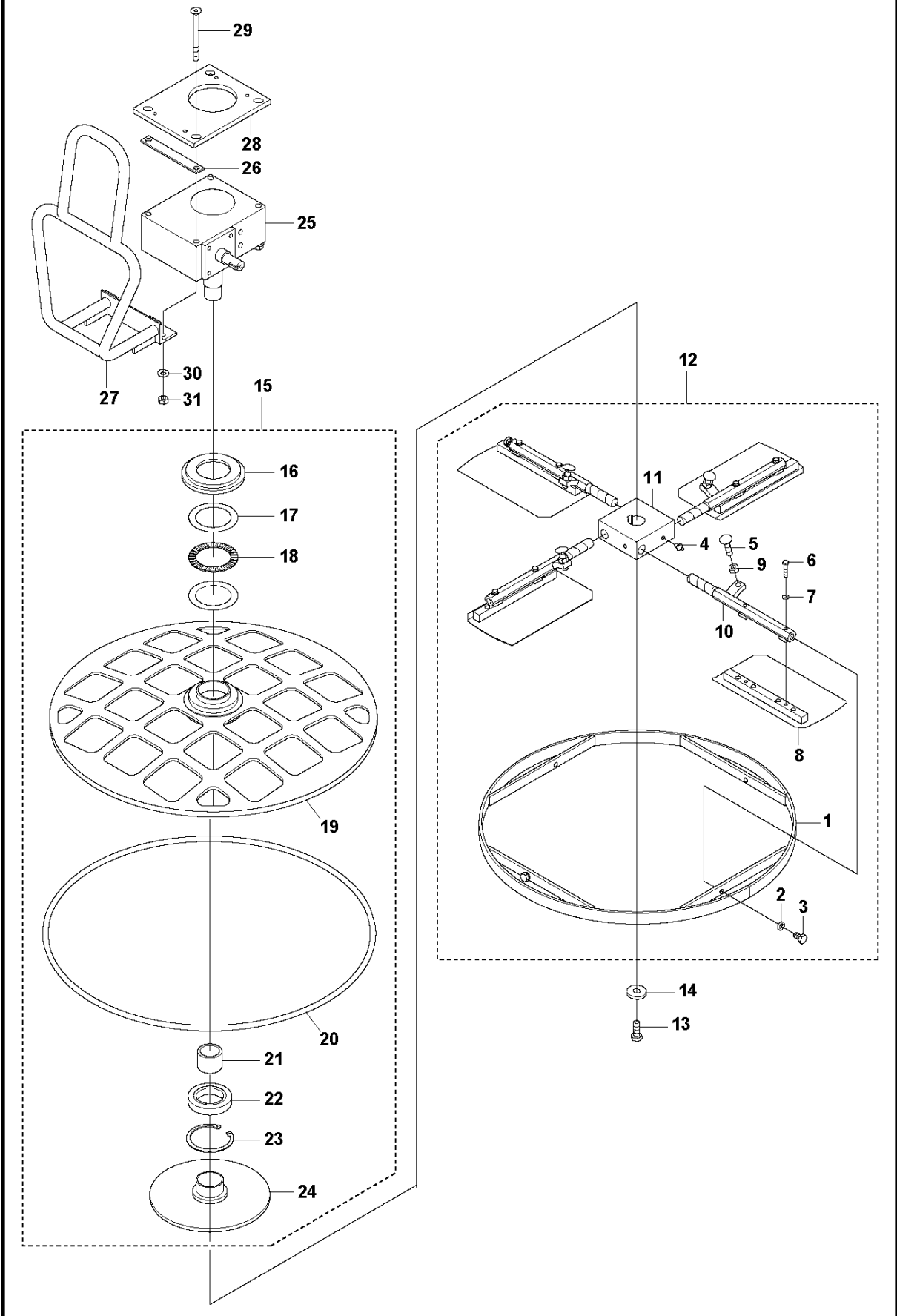


SPARE PARTS LIST

TROWELS

BG 244 F TP US, 967859301, 2020-06

A BG 244 F TP US
BLADE ASSY & PROTECTIVE RING

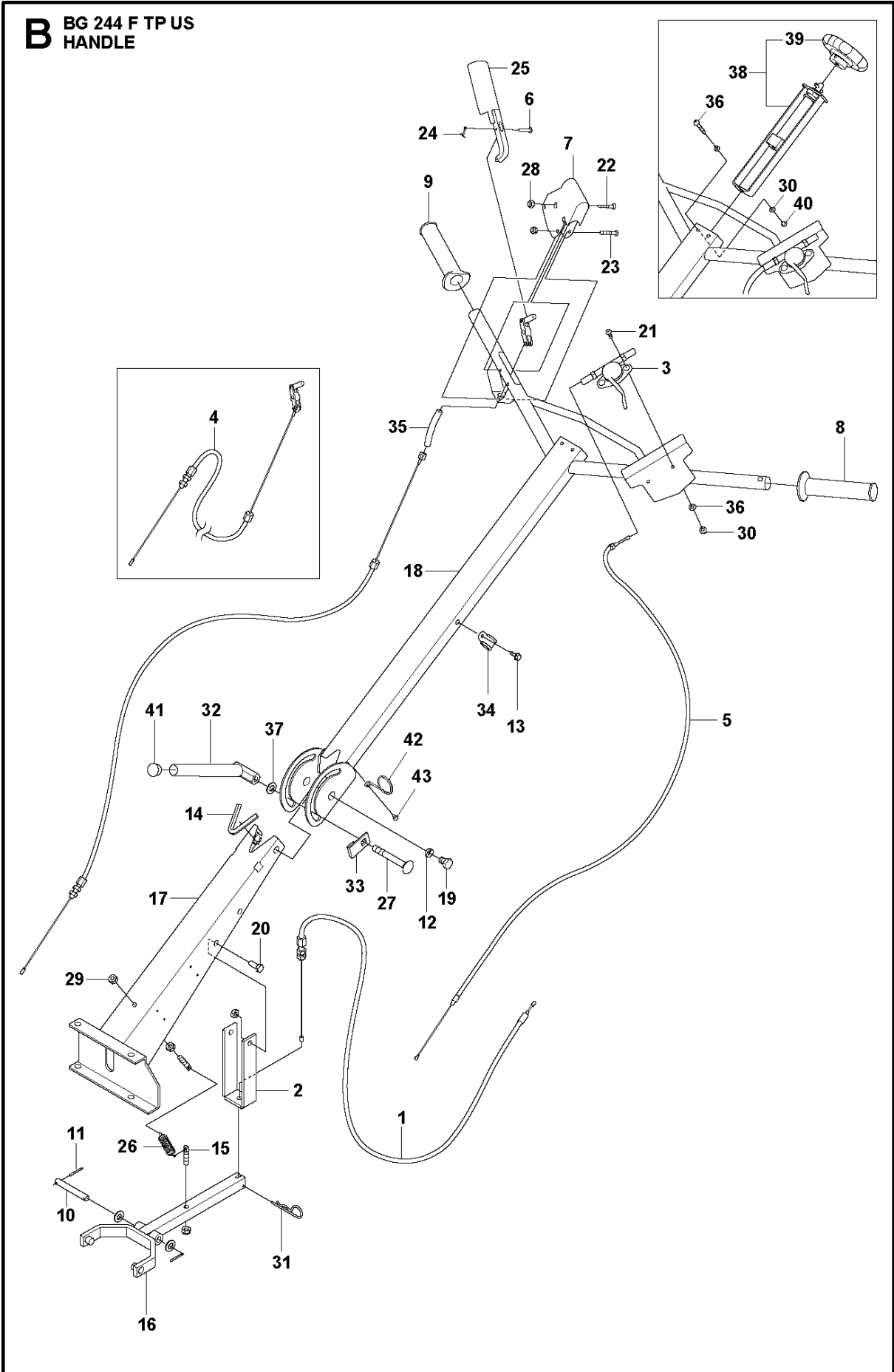


BLADE ASSY & PROTECTIVE RING

BG 244 F TP US, 967859301, 2020-06

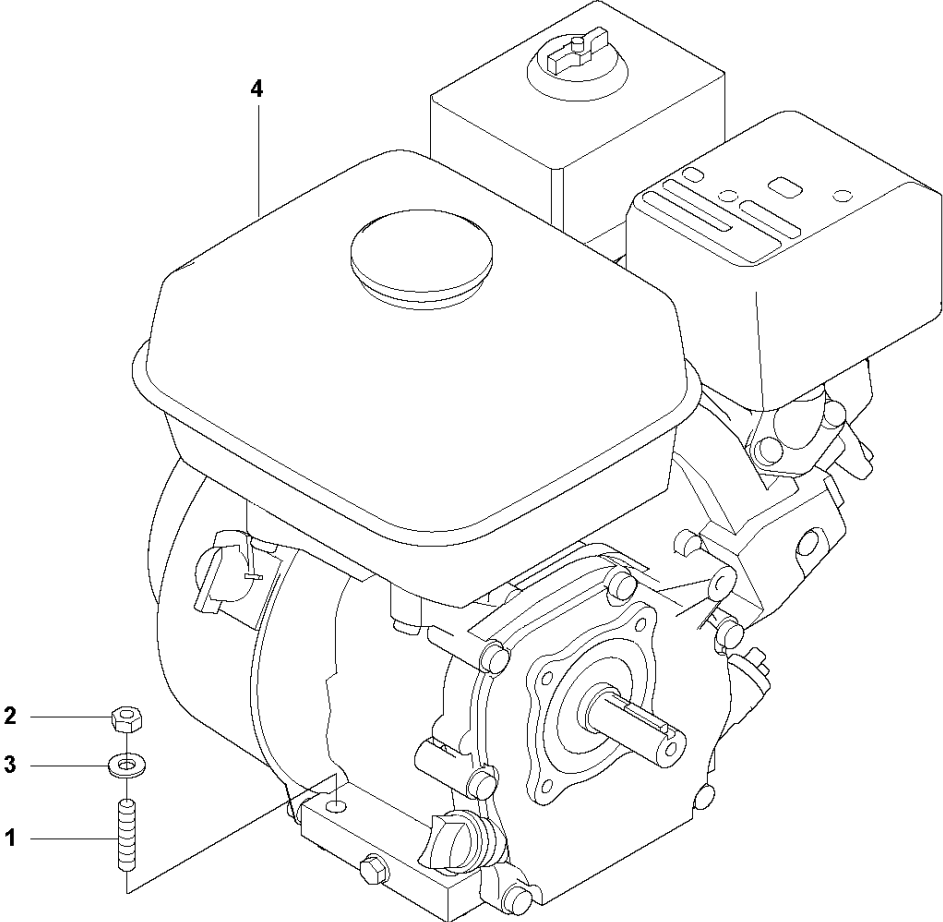
Ref	Part No	Description	Remark	QTY	KIT
1	594 24 35-01	RING		1	12
2	595 11 38-01	WASHER	M10 DIN127-B A2K	4	12
3	595 34 46-01	SCREW	M10x16 ISO4017 8.8 A3K	1	12
4	594 12 68-01	LUBRICATION NIPPLE	M8x1.25 DIN71412-A ZnB	4	12
5	595 35 08-01	BOLT	M10x40 ISO8677 8.8 FZB	4	12
6	595 10 99-01	SCREW	M6x30 ISO4014 8.8 A2K	8	12
7	595 35 31-01	WASHER	M6 DIN127-B A2K	8	12
8	594 70 99-01	BLADE KIT	Combination blades, set of 4 pcs.	1	12
9	595 02 94-01	NUT	M10 ISO4032 A3K	4	12
10	594 24 34-01	AXLE		4	12
11	594 24 33-01	BLADE		1	12
12	596 47 15-01	BLADE SET	Blade assembly, complete	1	
13	594 11 90-01	BOLT	M12x30 DIN933-8.8 FZB	1	
14	594 12 40-01	WASHER	13x36x6 FZB	1	
15	595 29 88-01	RING	Protective ring, complete	1	
16	594 25 18-01	SLEEVE		1	15
17	594 22 09-01	WASHER		2	15
18	594 22 08-01	BEARING		1	15
19	595 29 71-01	RING		1	15
20	594 25 28-01	RING		1	15
21	594 22 68-01	BEARING		1	15
22	595 03 81-01	BEARING	6010-2RS1	1	15
23	595 11 42-01	RING	D80 DIN472	1	15
24	594 24 42-01	PRESSURE PLATE		1	15
25	594 23 13-01	GEARBOX		1	
26	595 44 37-01	PLATE		1	
27	595 29 73-01	BRACKET		1	
28	595 29 72-01	PLATE		1	
29	594 28 79-01	SOCKET	M10x110 DIN7991-10.9 ZnB	4	
30	595 11 33-01	WASHER	M10 ISO7089 200HV A2K	4	
31	595 02 94-01	NUT	M10 ISO4032 A3K	4	

B BG 244 F TP US
HANDLE



Ref	Part No	Description	Remark	QTY	KIT
1	594 25 25-01	WIRE	Blade adjusting cable	1	
2	595 14 09-01	CLAMP		1	
3	594 22 41-01	CONTROL LEVER		1	
4	597 92 33-01	CABLE ASSY	Clutch cable, complete	1	
5	594 25 20-01	THROTTLE	Throttle cable	1	
6	594 64 13-01	CLEVIS PIN	4x14 ISO 2341 Zn	1	
7	595 27 93-01	LEVER		1	
8	594 22 33-01	HANDLE		1	
9	594 86 62-01	HANDLE		1	
10	594 24 91-01	SHAFT		1	
11	595 34 36-01	SPLIT PIN	2.5x22 DIN94 ZnB	2	
12	594 25 27-01	SLEEVE		2	
13	595 35 58-01	SCREW	4.8x16 DIN7504K Zn	1	
14	594 22 95-01	TRIM		1	
15	595 39 08-01	SPRING		2	
16	594 24 38-01	FORK		1	
17	595 29 74-01	HANDLE		1	
18	595 29 90-01	HANDLE		1	
19	594 11 83-01	CAP	M10x14 ISO4017-8.8 A3K	2	
20	594 11 79-01	SCREW	M8x20 ISO4017-8.8 A2K	2	
21	595 21 16-01	SCREW	M5x16 ISO7380 10.9 ZnB	2	
22	595 50 05-01	SCREW	M4x30 ISO 7380 Zn	2	
23	595 52 63-01	SCREW	M5x30 ISO 7380 Zn	2	
24	595 03 30-01	PIN	1x8 ISO1234	1	
25	595 27 58-01	COVER		1	
26	594 86 78-01	SPRING		1	
27	594 12 19-01	BOLT	M10x80 DIN603-8.8 ZnB	1	
28	595 35 19-01	LOCK NUT	M4 DIN985-8 Zn	2	
29	595 11 25-01	NUT	M8 ISO10511-8 A2K	5	
30	595 11 24-01	NUT	M5 DIN985-8 Zn	4	
31	594 11 75-01	SPRING PIN		1	
32	594 25 26-01	LOCKING LEVER		1	
33	594 25 34-01	LOCKWASHER		1	
34	595 11 44-01	PIPE CLAMP		1	
35	594 86 52-01	JOINT		1	
36	594 12 38-01	PLANE WASHER	M5 ISO7089 200HV A2K	6	
37	595 11 33-01	WASHER	M10 ISO7089 200HV A2K	3	
38	595 52 00-01	UNIT	Blade adjuster, Complete	1	
39	594 24 57-01	KNOB		1	38
40	595 21 17-01	SCREW	M5x40 ISO7380 10.9 Zn	2	
41	594 23 07-02	PLUG		1	
42	594 24 65-01	WIRE HOLDER		1	
43	595 11 17-01	SCREW	ST4,2x13 DIN7981C 450 HV FZ	1	

C BG 244 F TP US
ENGINE

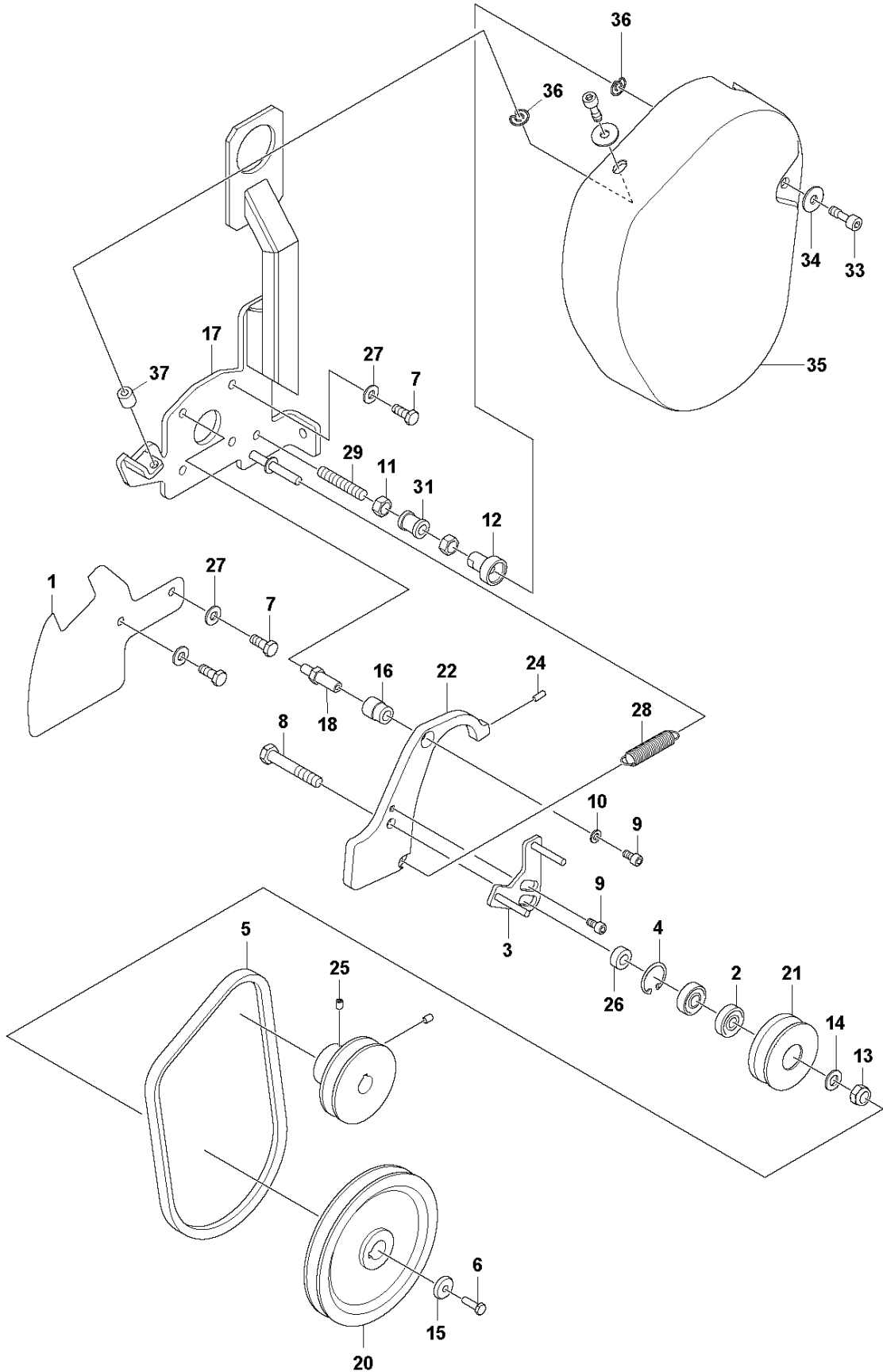


ENGINE

BG 244 F TP US, 967859301, 2020-06

Ref	Part No	Description	Remark	QTY KIT
1	595 11 20-01	BOLT		4
2	595 03 57-01	NUT	M8 DIN 934-8 zn	4
3	595 11 36-01	WASHER	M8 DIN 6796 ZnB	4
4	594 34 00-01	ENGINE	Honda GX120UT3 SXS4 SD NH1	1

D BG 244 F TP US
CLUTCH & PULLEY

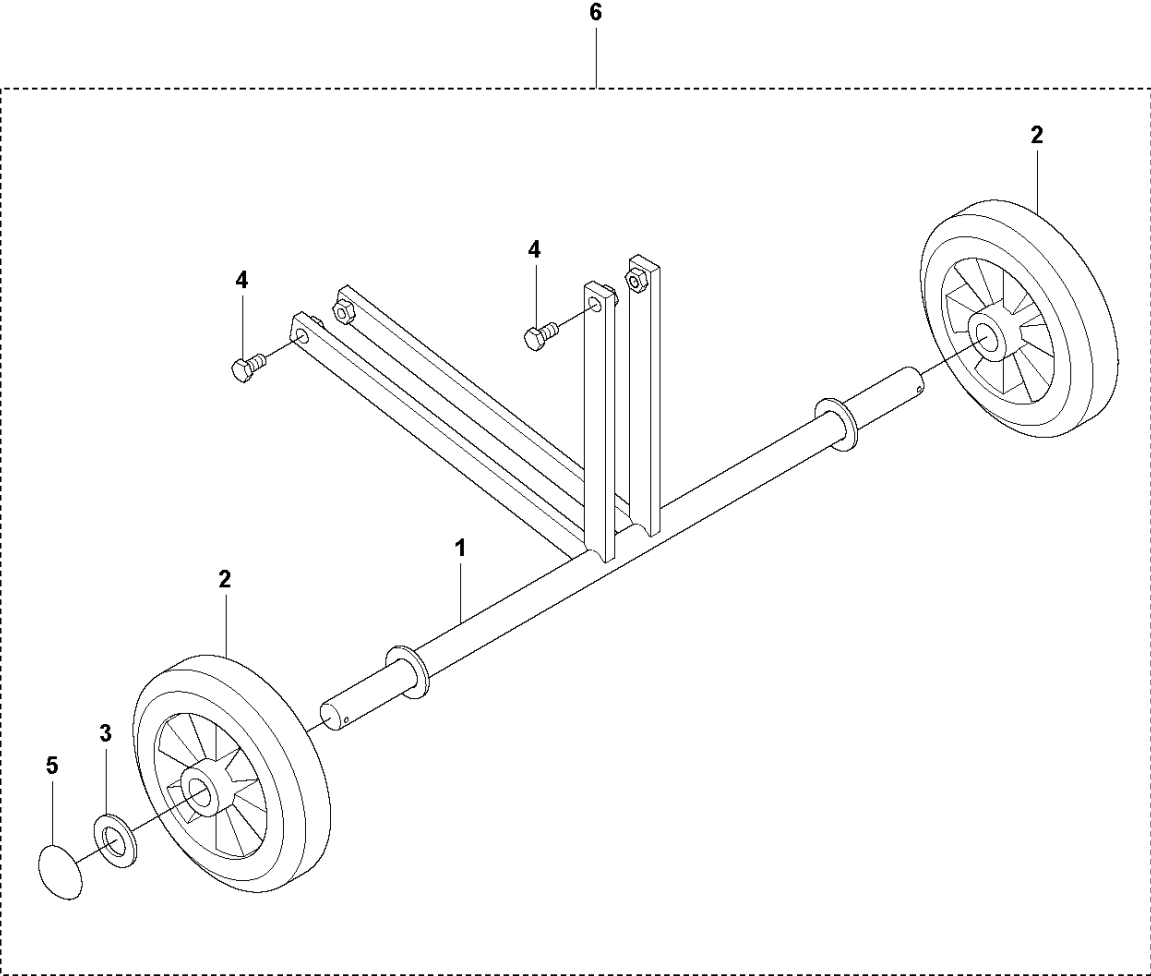


CLUTCH & PULLEY

BG 244 F TP US, 967859301, 2020-06

Ref	Part No	Description	Remark	QTY	KIT
1	595 50 02-01	PLATE		1	
2	594 53 13-01	BALL BEARING	SKF 6200-2RSH	2	30
3	599 14 85-02	PLATE		1	30
4	595 03 73-01	RING	D 30 DIN472	1	30
5	599 13 39-01	BELT		1	30
6	595 10 98-01	SCREW	M6x20H ISO4017 8.8 A2K	1	
7	594 11 79-01	SCREW	M8x20 DIN 933 8.8 zn	3	30
8	595 34 49-01	BOLT	M10x60 ISO4017 8.8 A3K	1	30
9	595 34 79-01	SOCKET	M6x12 ISO4762 8.8 A2K	2	30
10	595 03 65-01	WASHER	M6 ISO7089 A2K 200HV	1	30
11	595 02 94-01	NUT	M10 DIN 934-8 Zn	2	
12	594 86 56-01	HOLDER		1	
13	595 18 34-01	NUT	M10 DIN985	1	30
14	595 11 33-01	WASHER	M10 ISO7089 A2K	2	30
15	595 11 92-01	WASHER	6.4x22x4	1	
16	599149201	TBD		1	30
17	595 29 85-01	HOOK		1	
18	599149101	TBD		1	30
19	595 14 08-01	PINION		1	
20	594 24 16-01	PULLEY		1	
21	594 86 45-01	PULLEY		1	30
22	599 24 36-01	DECAL		1	30
23	599288701	TBD		1	30
24	594 28 62-01	SCREW	M5x12 45H ISO4028	1	30
25	595 34 66-01	SCREW	M6x8 ISO 4029 45H ZnB	2	
26	594 15 96-01	WASHER	10.5/20X8	1	30
27	595 11 36-01	WASHER	M8 DIN 6796 ZnB	3	30
28	594 24 95-01	SPRING		1	
29	595 21 15-01	STUD	M10x55 DIN 976-8.8 ZnB	1	
30	599 14 89-02	RETRO FIT KIT	Retro-fit kit	1	
31	595 21 10-01	TUBE		1	
32	599 24 36-01	DECAL		1	30
33	594 64 25-01	SCREW		2	
34	594 12 37-01	WASHER	M8 DIN9021 (8.4x25x2)FZB	2	
35	595 27 67-01	BELT COVER		1	
36	594 65 02-01	LOCKING SPRING		2	
37	594 86 75-01	BUSHING		1	

E BG 244 F TP US
TRANSPORT DEVICE

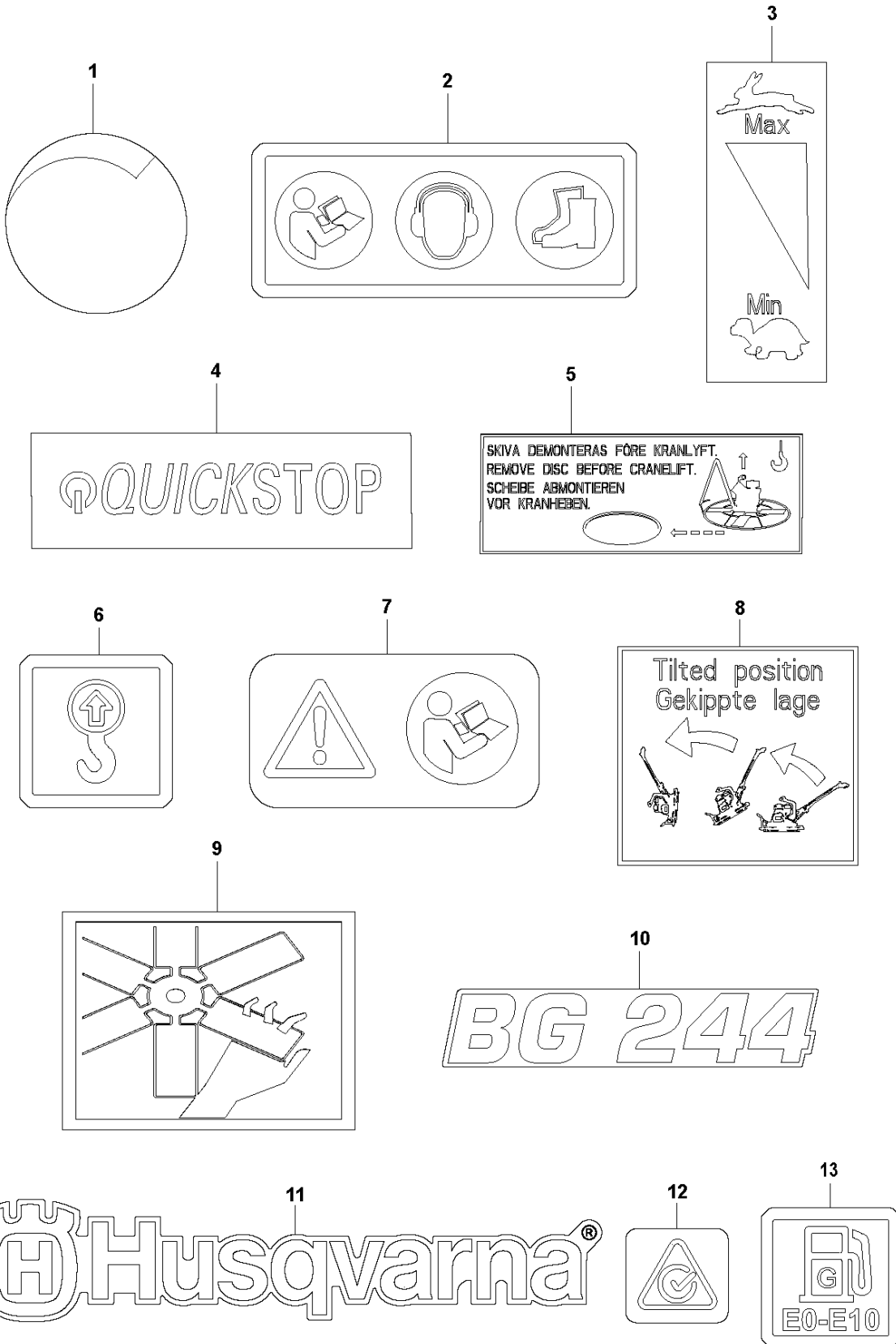


TRANSPORT DEVICE

BG 244 F TP US, 967859301, 2020-06

Ref	Part No	Description	Remark	QTY	KIT
1	595 13 65-01	FRAME		1	6
2	596 86 59-53	WHEEL		2	6
3	596 86 59-57	WASHER	M20 ISO 7090 FZV 200HB	2	6
4	595 11 01-01	SCREW	M8x16 ISO4017 8.8 A2K	4	6
5	594 76 89-01	WASHER		2	6
6	596 19 22-01	TRANSPORT WHEEL	Transport device, complete	1	

F BG 244 F TP US
DECALS

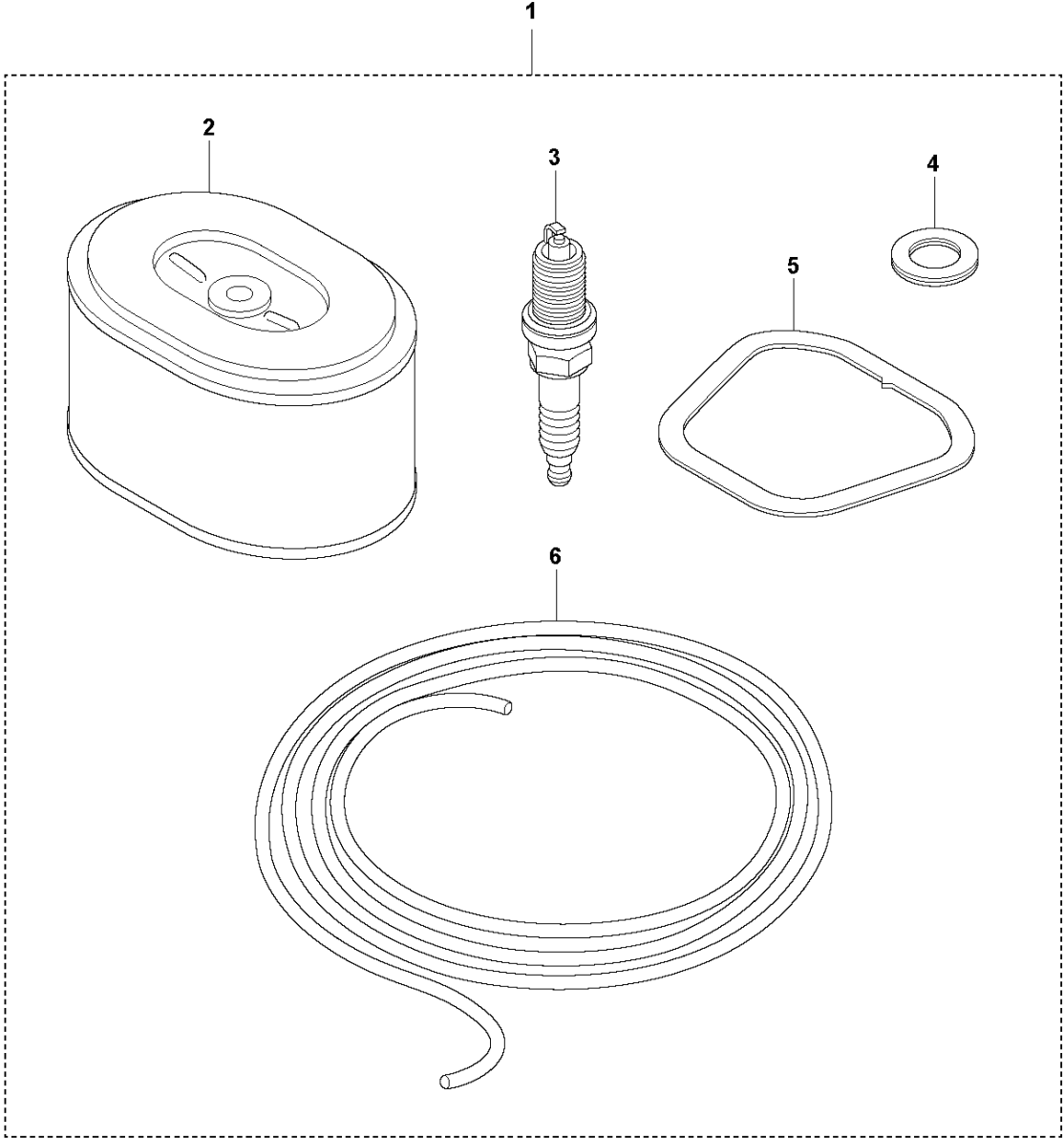


DECALS

BG 244 F TP US, 967859301, 2020-06

Ref	Part No	Description	Remark	QTY KIT
1	594 24 58-01	DECAL	DECAL Blade Angle	1
2	594 65 96-01	LABEL	Safety	1
3	595 21 13-01	DECAL		1
4	595 11 91-01	DECAL		1
5	594 24 59-01	DECAL	Remove Floating Disc	1
6	594 66 09-01	LABEL	Lifting Point	1
7	594 86 97-01	LABEL	Safety, Read instruction	1
8	595 21 12-01	DECAL		1
9	594 16 30-01	DECAL	Cutting Hazard	1
10	595 09 71-01	DECAL	Brand	2
11	577 06 20-01	DECAL	Husqvarna logo	1
12	596 28 02-01	DECAL		1
13	594 66 02-01	LABEL		1

G BG 244 F TP US
SERVICE KIT - HONDA GX 120

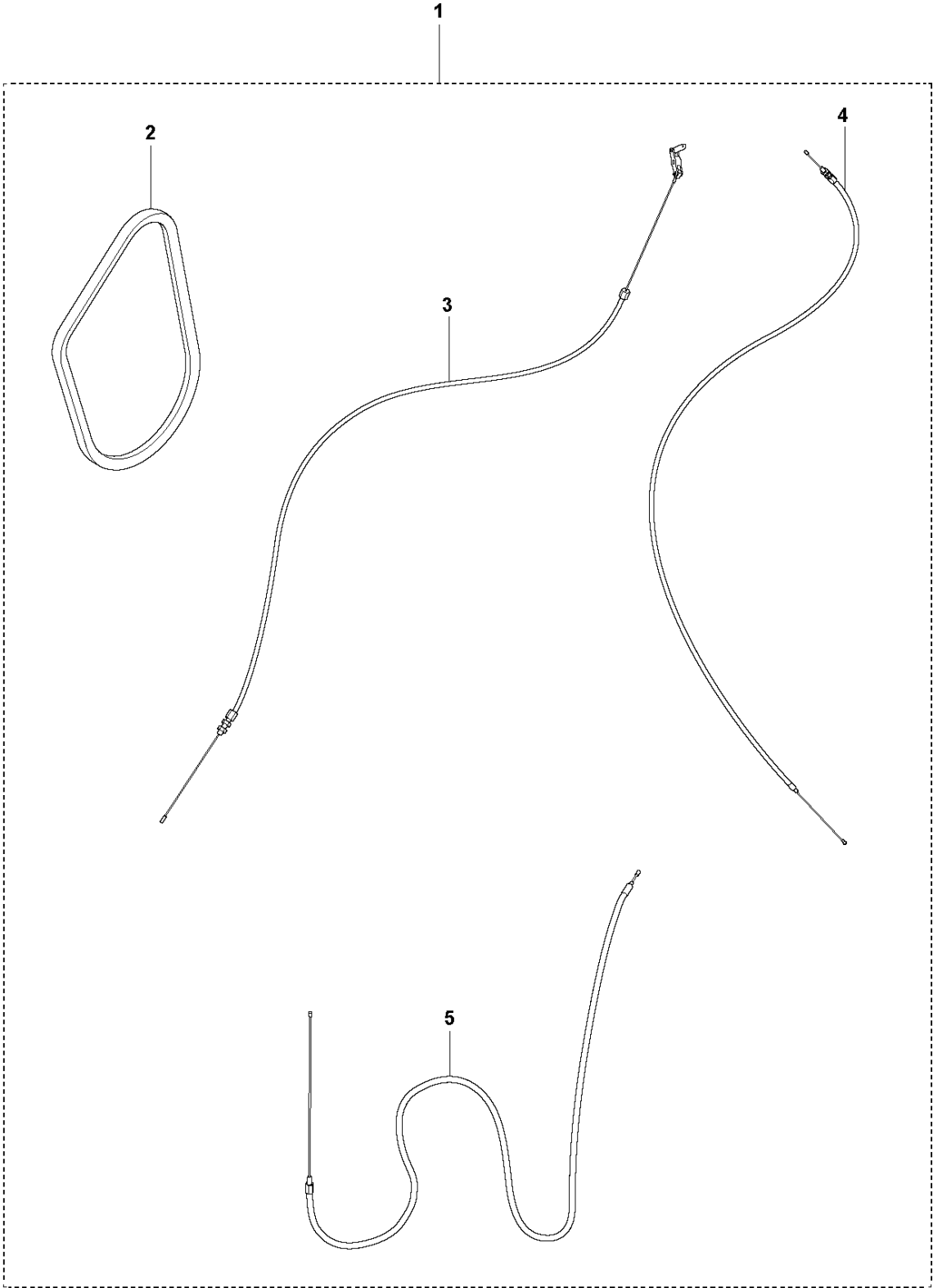


SERVICE KIT

BG 244 F TP US, 967859301, 2020-06

Ref	Part No	Description	Remark	QTY KIT	
1	594 20 02-01	SERVICE KIT		1	
2	594 30 21-01	AIR FILTER		1	1
3	594 54 43-01	SPARK PLUG	BPR6ES (NGK)	1	1
4	595 04 89-01	GASKET		1	1
5	594 31 30-01	GASKET		1	1
6	595 04 91-01	ROPE		1	1

H BG 244 F TP US
MAINTENANCE KIT



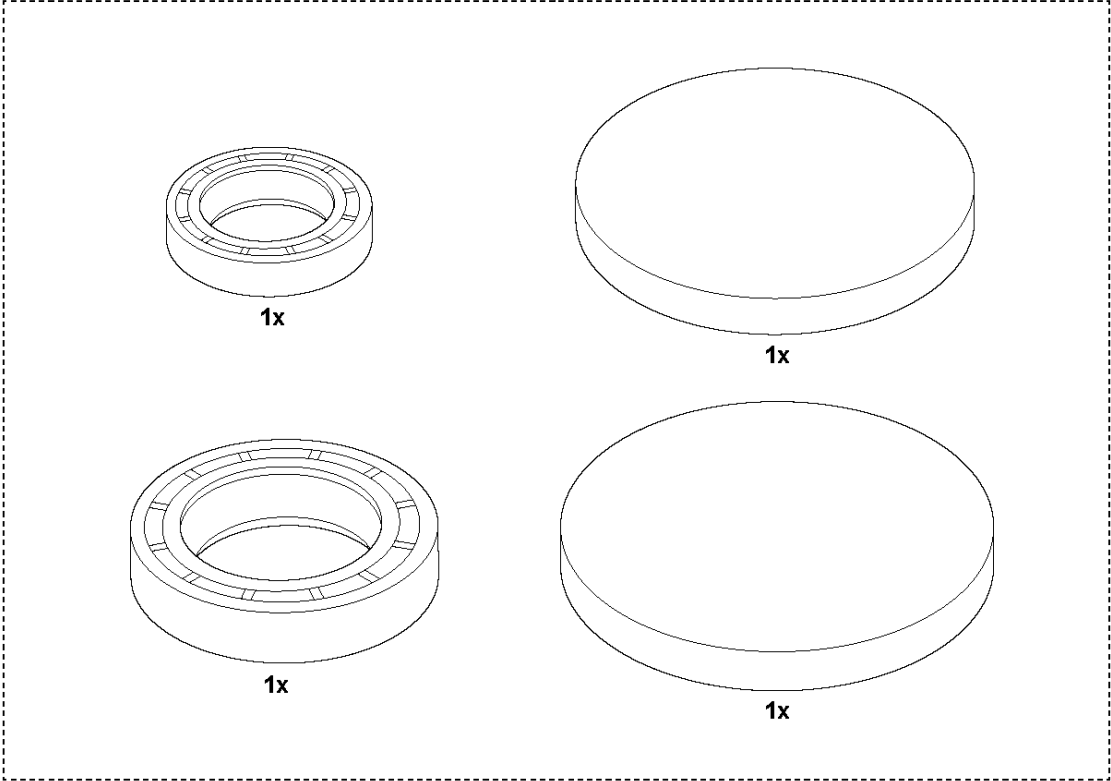
MAINTENANCE KIT

BG 244 F TP US, 967859301, 2020-06

Ref	Part No	Description	Remark	QTY KIT	
1	594 85 92-01	SERVICE KIT		1	
2	594 23 06-01	V-BELT		1	1
3	597 92 33-01	CABLE ASSY	Clutch cable, complete	1	1
4	594 25 20-01	THROTTLE	Throttle cable	1	1
5	594 25 25-01	WIRE	Blade adjusting cable	1	1

J BG 244 F TP US
GEARBOX SEAL KIT

1



GEARBOX SEAL KIT

BG 244 F TP US, 967859301, 2020-06

Ref	Part No	Description	Remark	QTY KIT
1	594 20 69-01	SEAL	Gearbox seal kit (seals & plugs)	1