

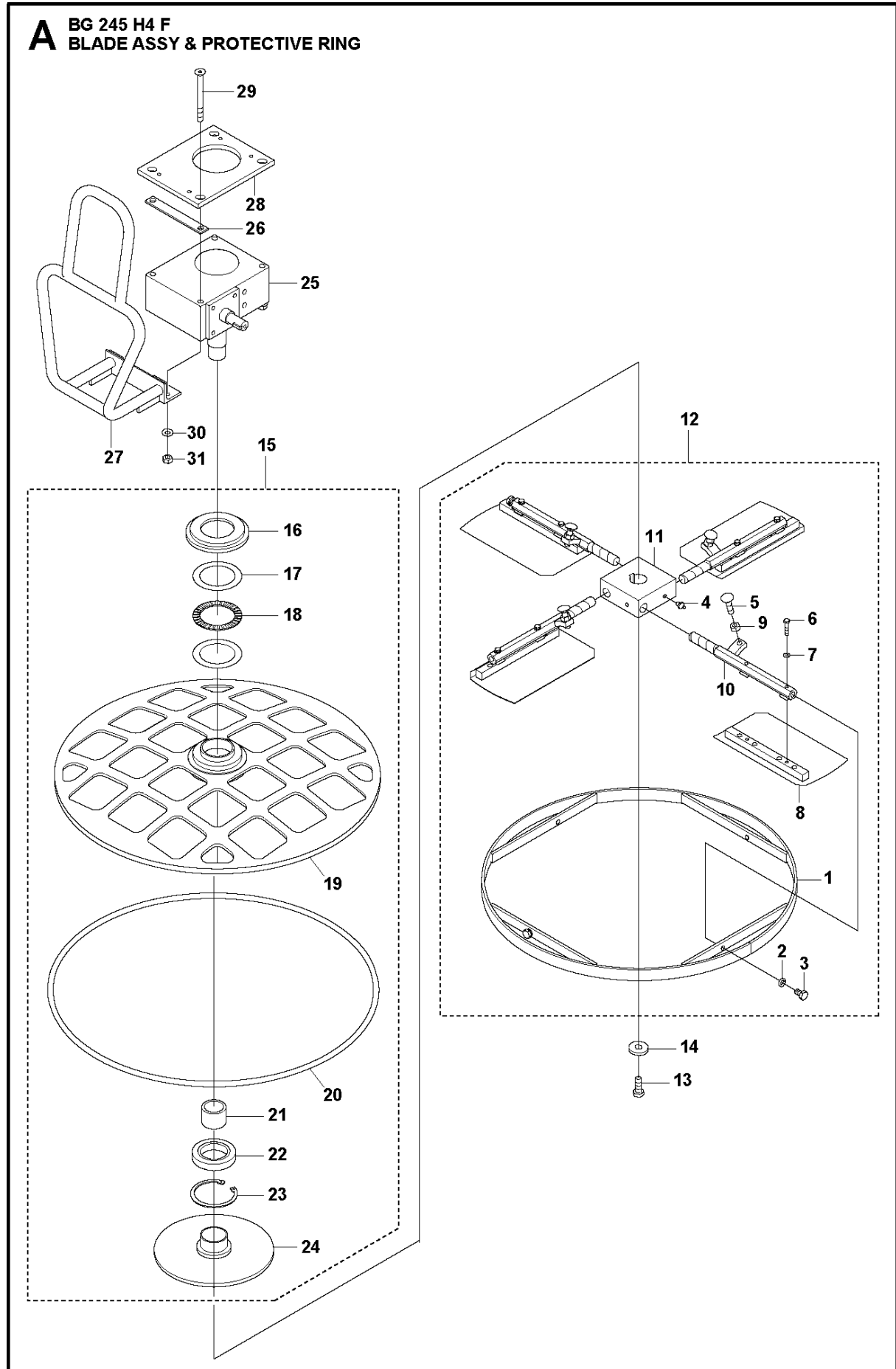


SPARE PARTS LIST

TROWELS

BG 245 H4 F, 967929301, 2019-05

A BG 245 H4 F
BLADE ASSY & PROTECTIVE RING

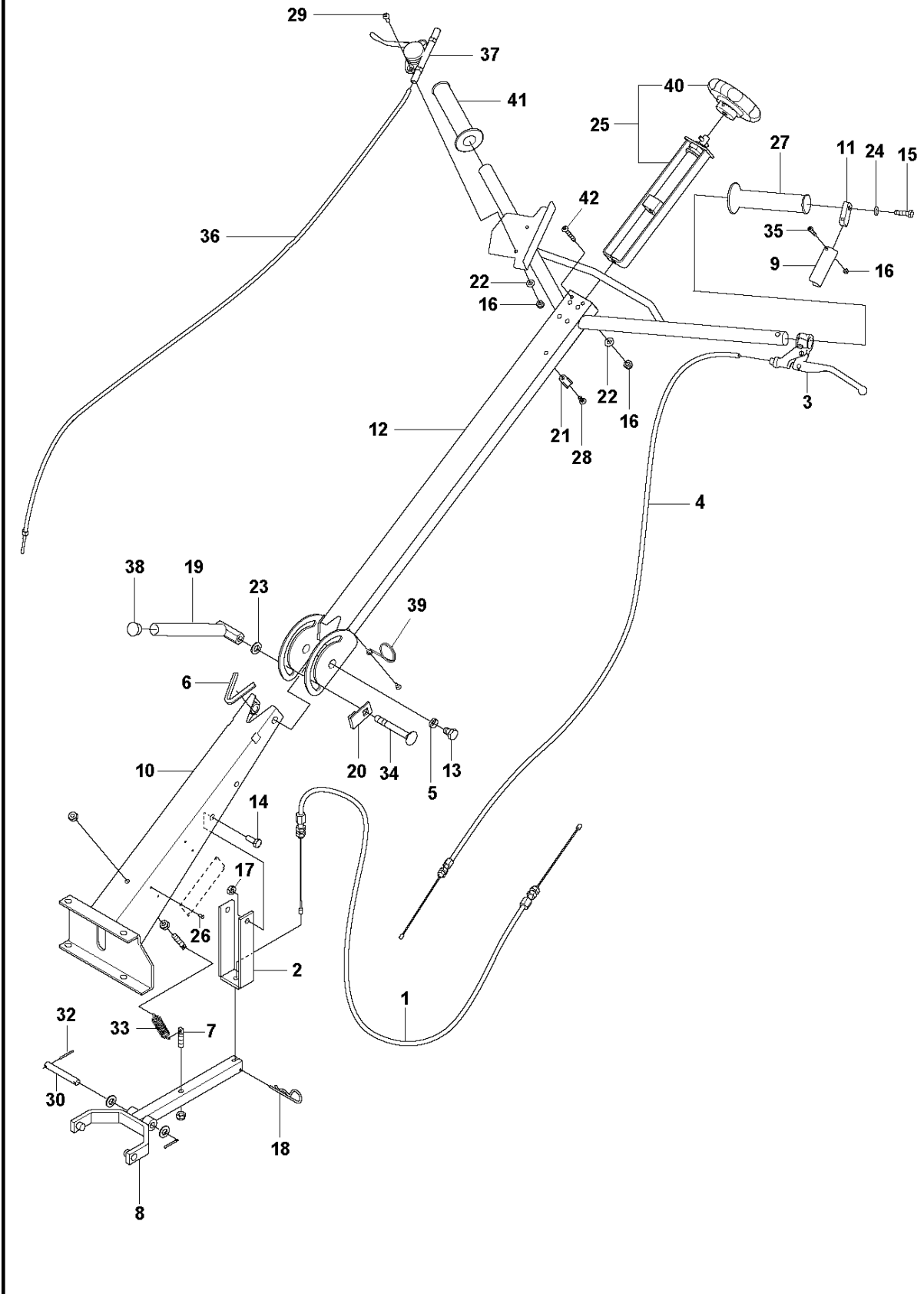


BLADE ASSY & PROTECTIVE RING

BG 245 H4 F, 967929301, 2019-05

Ref	Part No	Description	Remark	QTY	KIT
1	594 24 35-01	RING		1	12
2	595 11 38-01	WASHER	M10 DIN127-B A2K	4	12
3	595 34 46-01	SCREW	M10x16 ISO4017 8.8 A3K	1	12
4	594 12 68-01	LUBRICATION NIPPLE	M8x1.25 DIN71412-A ZnB	4	12
5	595 35 08-01	BOLT	M10x40 ISO8677 8.8 FZB	4	12
6	595 10 99-01	SCREW	M6x30 ISO4014 8.8 A2K	8	12
7	595 35 31-01	WASHER	M6 DIN127-B A2K	8	12
8	594 70 99-01	BLADE	Combination blades, set of 4 pcs.	1	12
9	595 02 94-01	NUT	M10 ISO4032 A3K	4	12
10	594 24 34-01	AXLE		4	12
11	594 24 33-01	BLADE		1	12
12	596 47 15-01	BLADE SET	Blade assembly, complete	1	
13	594 11 90-01	BOLT	M12x30 DIN933-8.8 FZB	1	
14	594 12 40-01	WASHER	13x36x6 FZB	1	
15	595 29 88-01	RING	Protective ring, complete	1	
16	594 25 18-01	SLEEVE		1	15
17	594 22 09-01	WASHER		2	15
18	594 22 08-01	BEARING		1	15
19	595 29 71-01	RING		1	15
20	594 25 28-01	RING		1	15
21	594 22 68-01	BEARING		1	15
22	595 03 81-01	BEARING	6010-2RS1	1	15
23	595 11 42-01	RING	D80 DIN472	1	15
24	594 24 42-01	PRESSURE PLATE		1	15
25	594 23 13-01	GEARBOX		1	
26	595 44 37-01	PLATE		1	
27	595 29 73-01	BRACKET		1	
28	595 29 72-01	PLATE		1	
29	594 28 79-01	SOCKET	M10x110 DIN7991-10.9 ZnB	4	
30	595 11 33-01	WASHER	M10 ISO7089 200HV A2K	4	
31	595 02 94-01	NUT	M10 ISO4032 A3K	4	

B BG 245 H4 F
HANDLE

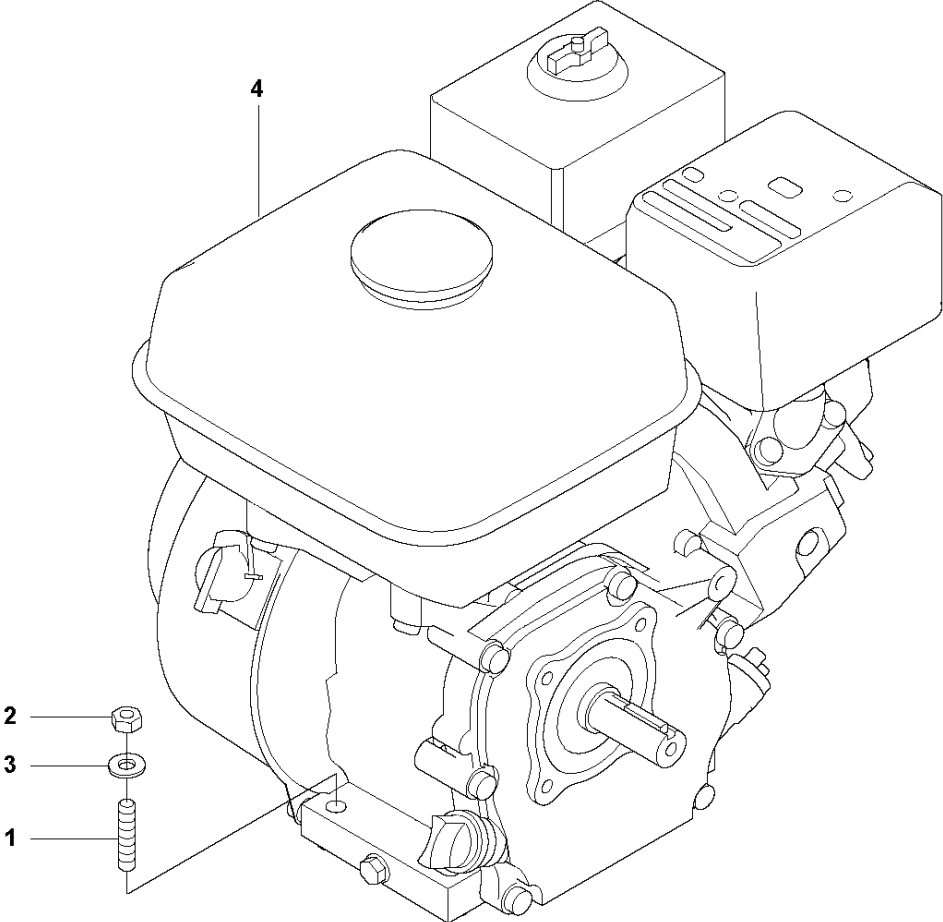


HANDLE

BG 245 H4 F, 967929301, 2019-05

Ref	Part No	Description	Remark	QTY	KIT
1	594 25 25-01	WIRE	Blade adjusting cable	1	
2	595 14 09-01	CLAMP		1	
3	594 22 69-01	CLUTCH		1	
4	594 25 19-01	CLUTCH	Clutch cable	1	
5	594 25 27-01	SLEEVE		2	
6	594 22 95-01	TRIM		1	
7	595 39 08-01	SPRING		2	
8	594 24 38-01	FORK		1	
9	594 38 46-01	HANDLE		1	
10	595 29 74-01	HANDLE		1	
11	594 38 45-01	HANDLE HOLDER		1	
12	594 15 19-01	HANDLE		1	
13	594 11 83-01	CAP	M10x14 ISO4017-8.8 A3K	2	
14	594 11 79-01	SCREW	M8x20 ISO4017-8.8 A2K	2	
15	595 34 43-01	SCREW	M8x30 ISO4017-8.8 A2K	1	
16	595 11 24-01	NUT	M5 DIN985-8 Zn	5	
17	595 11 25-01	NUT	M8 ISO10511-8 A2K	5	
18	594 11 75-01	SPRING PIN		1	
19	594 25 26-01	LOCKING LEVER		1	
20	594 25 34-01	LOCKWASHER		1	
21	594 12 52-01	PIPE CLAMP		2	
22	594 12 38-01	PLANE WASHER	M5 ISO7089 200HV A2K	6	
23	595 11 33-01	WASHER	M10 ISO7089 200HV A2K	3	
24	595 03 66-01	WASHER	M8 ISO7089 200HV A2K	1	
25	595 52 00-01	UNIT	Blade adjuster, Complete	1	
26	594 79 32-01	RIVET	D2.4X6 DIN7337A	4	
27	594 22 33-01	HANDLE		2	
28	595 11 17-01	SCREW	ST4,2x13 DIN7981C 450 HV FZ	3	
29	595 51 47-01	SCREW	M5x12 DIN7985-4.8 ZnB	2	
30	594 24 91-01	SHAFT		1	
32	595 34 36-01	SPLIT PIN	2.5x22 DIN94 ZnB	2	
33	594 86 78-01	SPRING		1	
34	594 12 19-01	BOLT	M10x80 DIN603-8.8 ZnB	1	
35	595 51 49-01	SCREW	M5x30 DIN7500-1 Form C-5.8 ZnB	1	
36	594 25 20-01	THROTTLE	Throttle cable	1	
37	594 22 41-01	CONTROL LEVER		1	
38	594 23 07-02	PLUG		1	
39	594 24 65-01	WIRE HOLDER		1	
40	594 24 57-01	KNOB		1	25
41	594 86 62-01	HANDLE		1	
42	595 35 03-01	SCREW	M5x40 DIN7500-1 Form C-5.8 ZnB	2	

C BG 245 H4 F
ENGINE

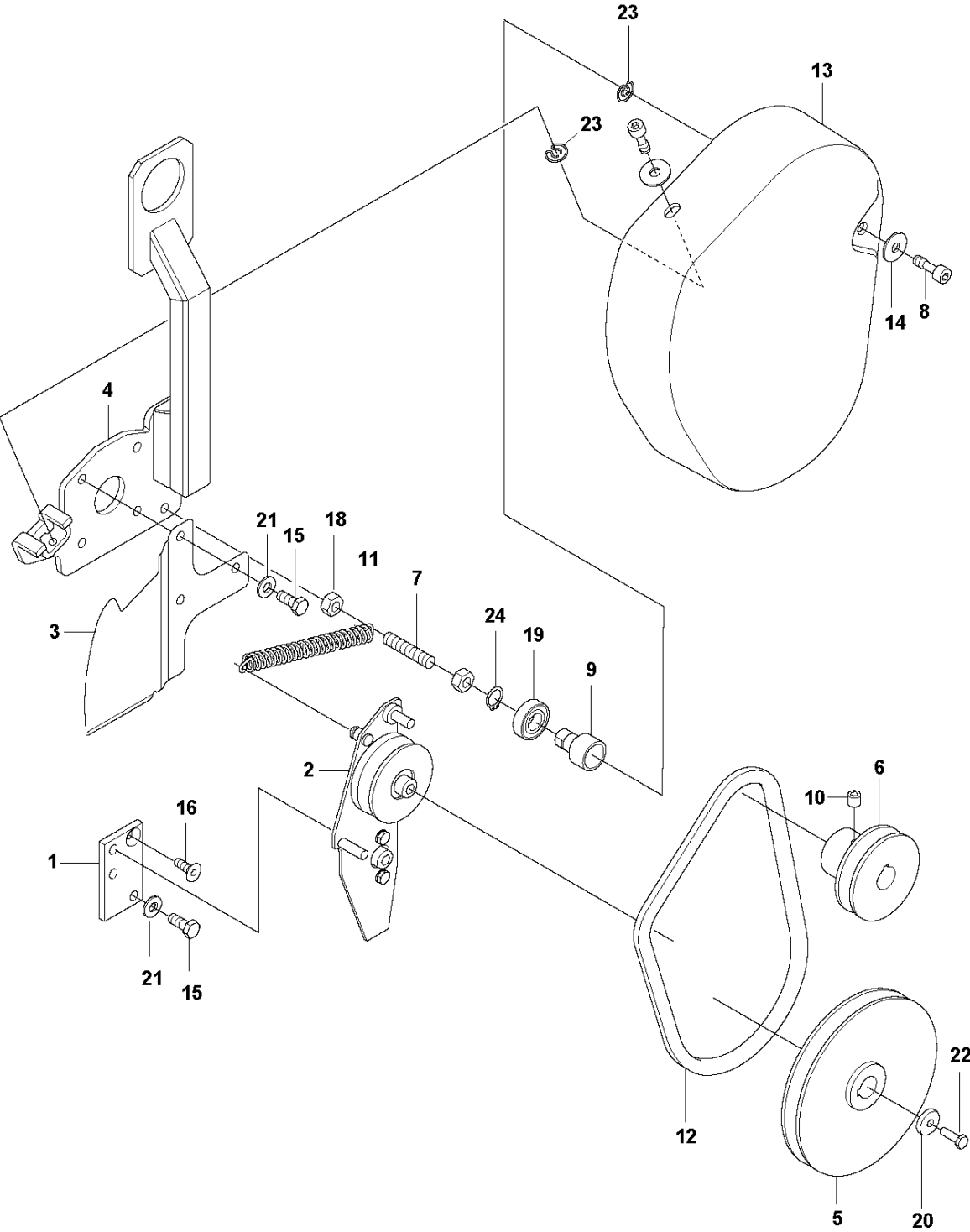


ENGINE

BG 245 H4 F, 967929301, 2019-05

Ref	Part No	Description	Remark	QTY KIT
1	595 11 20-01	BOLT		4
2	595 03 57-01	NUT	M8 DIN 934-8 zn	4
3	595 11 36-01	WASHER	M8 DIN 6796 ZnB	4
4	594 34 00-01	ENGINE	Honda GX120UT3 SXS4 SD NH1	1

D BG 245 H6 F
CLUTCH & PULLEY

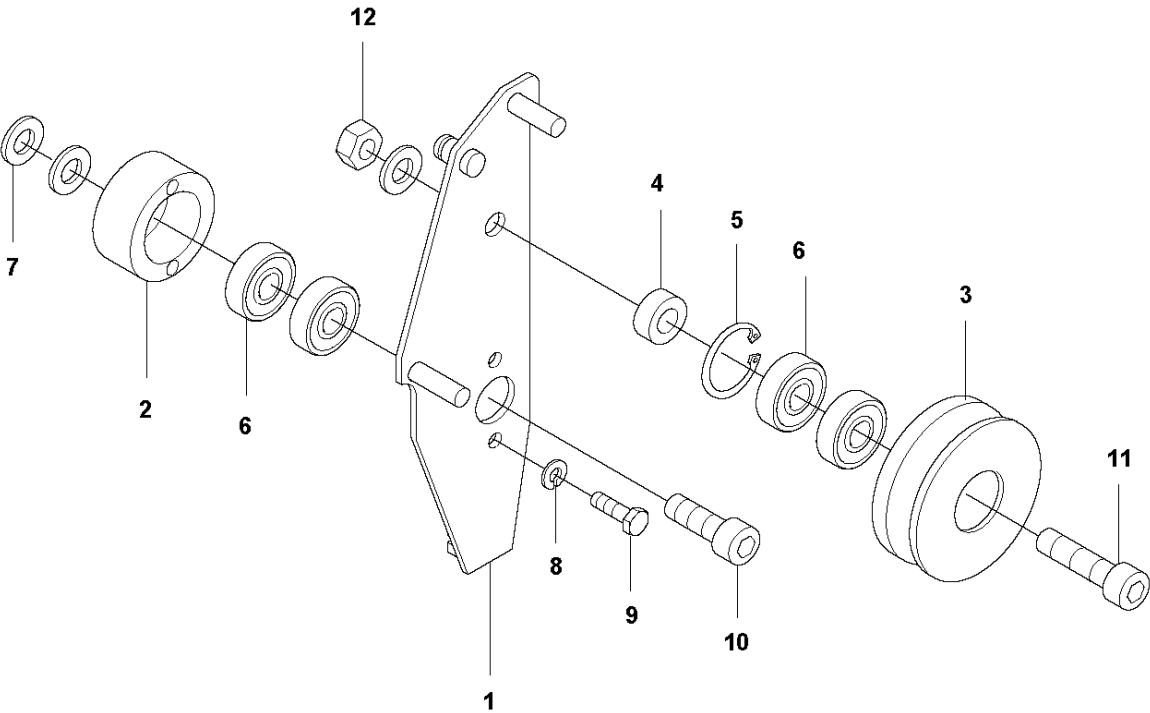


CLUTCH & PULLEY

BG 245 H4 F, 967929301, 2019-05

Ref	Part No	Description	Remark	QTY KIT
1	594 24 87-01	BRACKET		1
2	595 44 43-01	CLUTCH		1
3	595 36 17-01	PLATE		1
4	594 15 18-01	HOOK		1
5	594 24 16-01	PULLEY		1
6	595 14 08-01	PINION		1
7	595 35 13-01	STUD	M10x50 DIN 976-8.8 ZnB	1
8	594 64 25-01	SCREW		2
9	594 64 24-01	HOLDER		1
10	595 34 66-01	SCREW	M6x8 ISO 4029 45H ZnB	2
11	594 24 95-01	SPRING		1
12	594 23 06-01	V-BELT		1
13	594 95 93-01	BELT COVER		1
14	594 12 37-01	WASHER	M8 DIN9021 (8.4x25x2)FZB	2
15	594 11 79-01	SCREW	M8x20 DIN 933 8.8 zn	5
16	595 35 01-01	SOCKET	M8x20 DIN 7991-8.8 zn	1
18	595 02 94-01	NUT	M10 DIN 934-8 Zn	2
19	595 11 57-01	BALL BEARING	SKF 6002-2RS1	1
20	595 11 92-01	WASHER	6.4x22x4	1
21	595 11 36-01	WASHER	M8 DIN 6796 ZnB	5
22	595 10 98-01	SCREW	M6x20H ISO4017 8.8 A2K	1
23	594 65 02-01	LOCKING SPRING		2
24	595 03 71-01	CIRCLIP		1

E BG 245 H4 F
CLUTCH

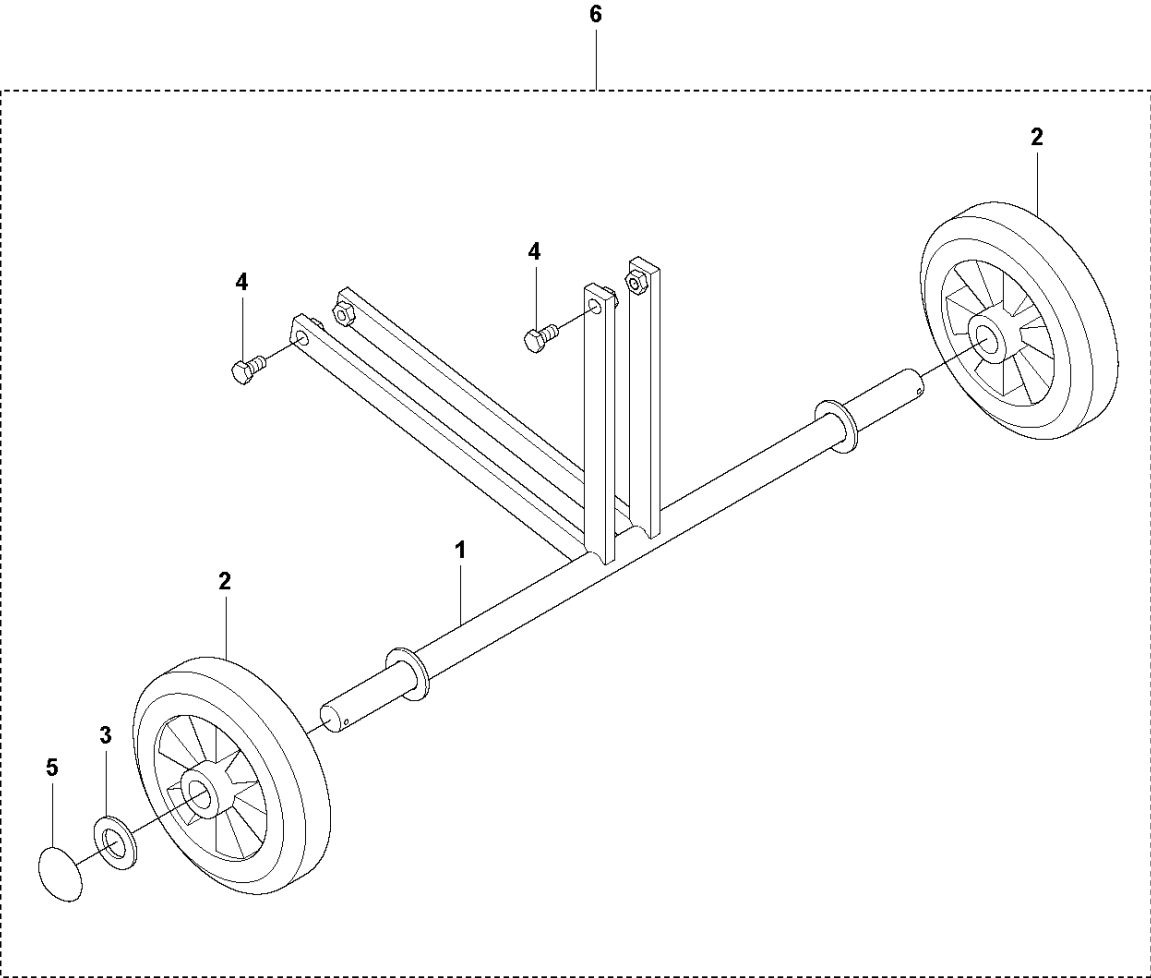


CLUTCH

BG 245 H4 F, 967929301, 2019-05

Ref	Part No	Description	Remark	QTY KIT
4	594 15 96-01	WASHER	10.5/20X8	1
2	594 24 89-01	BEARING SLEEVE		1
3	594 24 90-01	TENSIONER		1
6	594 53 13-01	BALL BEARING		4
12	595 02 94-01	NUT	M10 DIN 934-8 Zn	1
5	595 03 73-01	RING	D 30 DIN472	1
9	595 10 98-01	SCREW	M6x20H ISO4017 8.8 A2K	2
7	595 11 33-01	WASHER	M10 ISO 7089 A2K	3
10	595 34 86-01	SCREW	M10x30 DIN 912-12.9	1
11	595 34 88-01	SOCKET	M10x40 DIN 912 - 8.8 zn	1
8	595 35 31-01	WASHER	M6 DIN 127 B	2
1	595 50 22-01	BELT		1

F BG 245 H4 F
TRANSPORT DEVICE

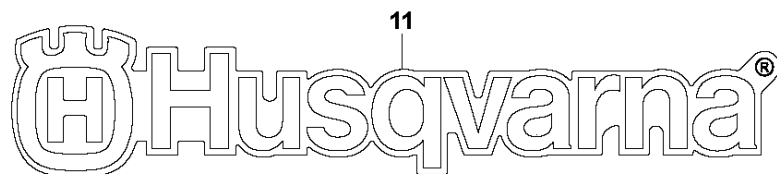
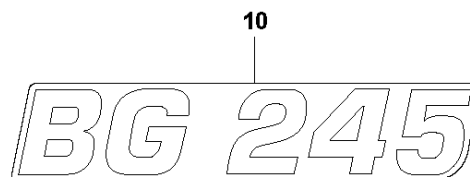
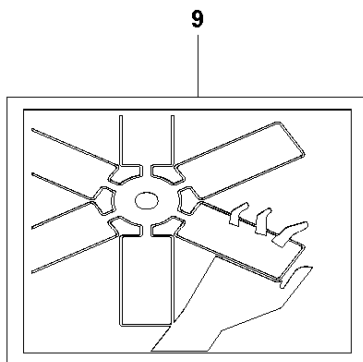
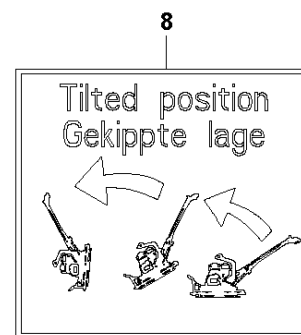
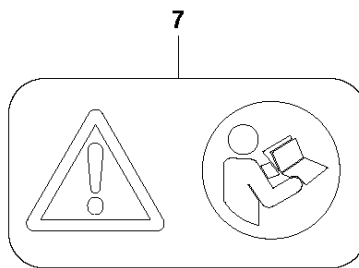
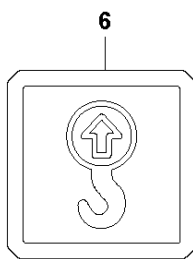
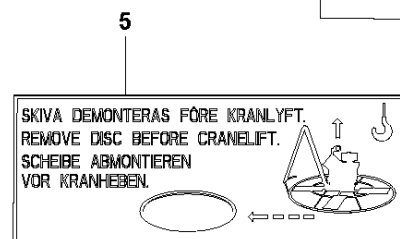
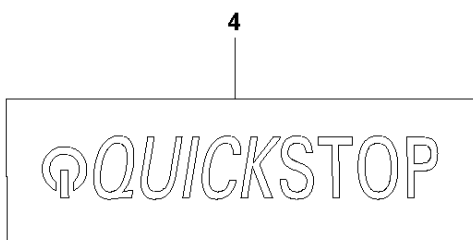
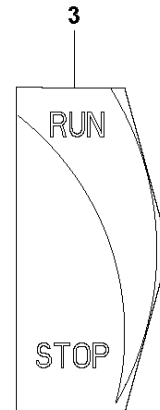
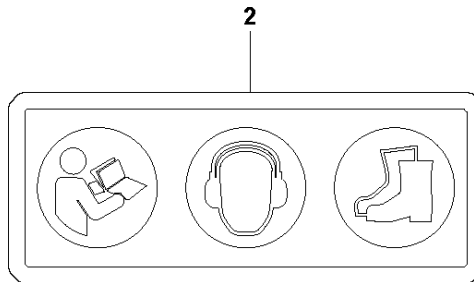
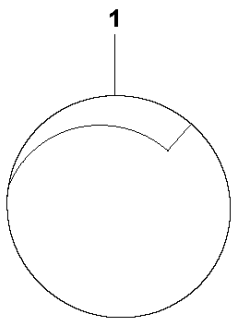


TRANSPORT DEVICE

BG 245 H4 F, 967929301, 2019-05

Ref	Part No	Description	Remark	QTY	KIT
1	595 13 65-01	FRAME		1	6
2	596 86 59-53	WHEEL		2	6
3	596 86 59-57	WASHER	M20 ISO 7090 FZV 200HB	2	6
4	595 11 01-01	SCREW	M8x16 ISO4017 8.8 A2K	4	6
5	594 76 89-01	WASHER		2	6
6	596 19 22-01	TRANSPORT WHEEL	Complete	1	

G BG 245 H4 F
DECALS

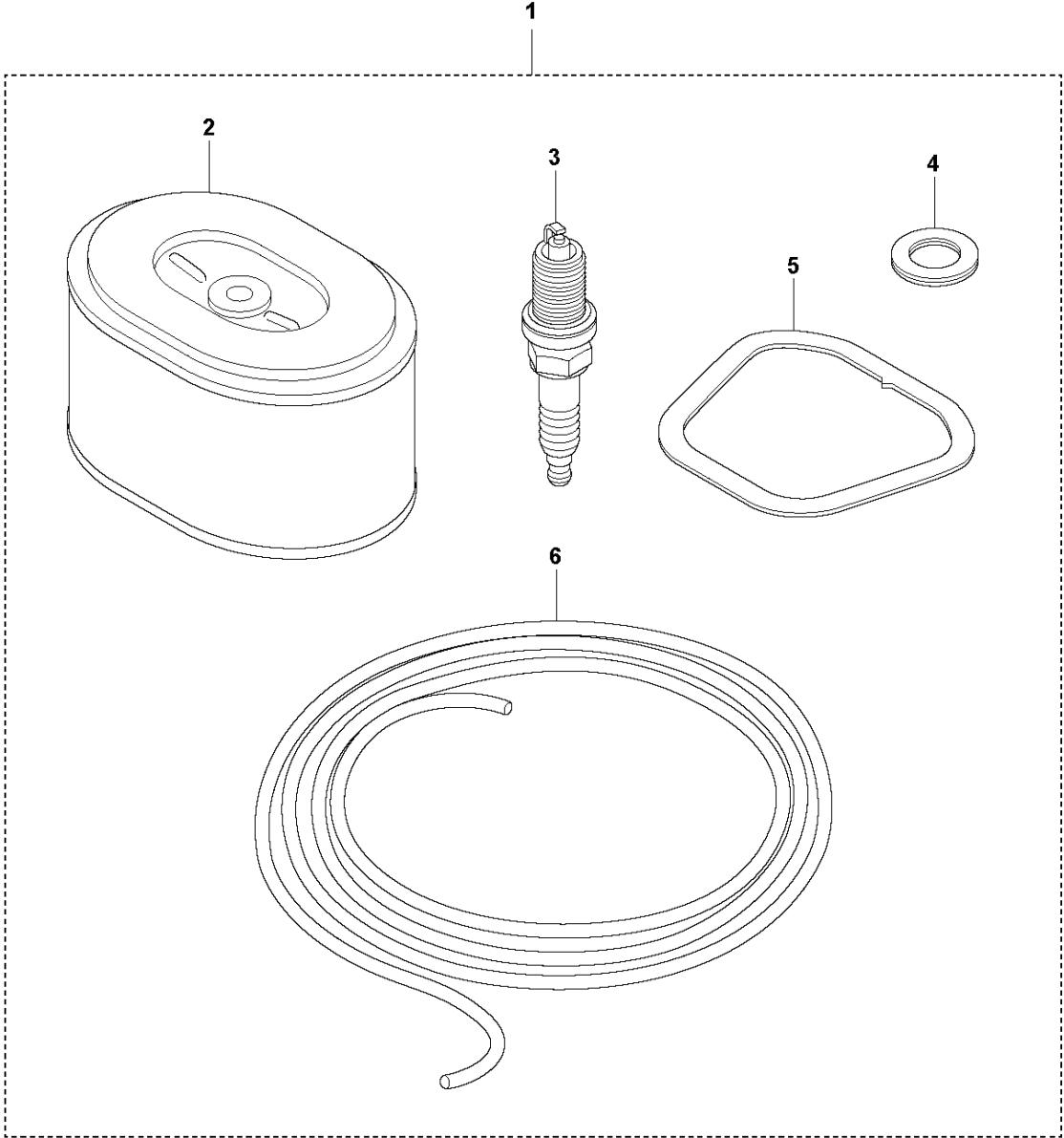


DECALS

BG 245 H4 F, 967929301, 2019-05

Ref	Part No	Description	Remark	QTY KIT
1	594 24 58-01	DECAL	DECAL Blade Angle	1
2	594 65 96-01	LABEL	Safety	1
3	594 24 68-01	LABEL		1
4	595 11 91-01	DECAL		1
5	594 24 59-01	DECAL	Remove Floating Disc	1
6	594 66 09-01	LABEL	Lifting Point	1
7	594 86 97-01	LABEL	Safety, Read instruction	1
8	595 21 12-01	DECAL		1
9	594 16 30-01	DECAL	Cutting Hazard	1
10	595 92 57-01	DECAL	Brand	2
11	577 06 20-01	DECAL	Husqvarna logo	1

H BG 245 H4 F
SERVICE KIT - HONDA GX 120

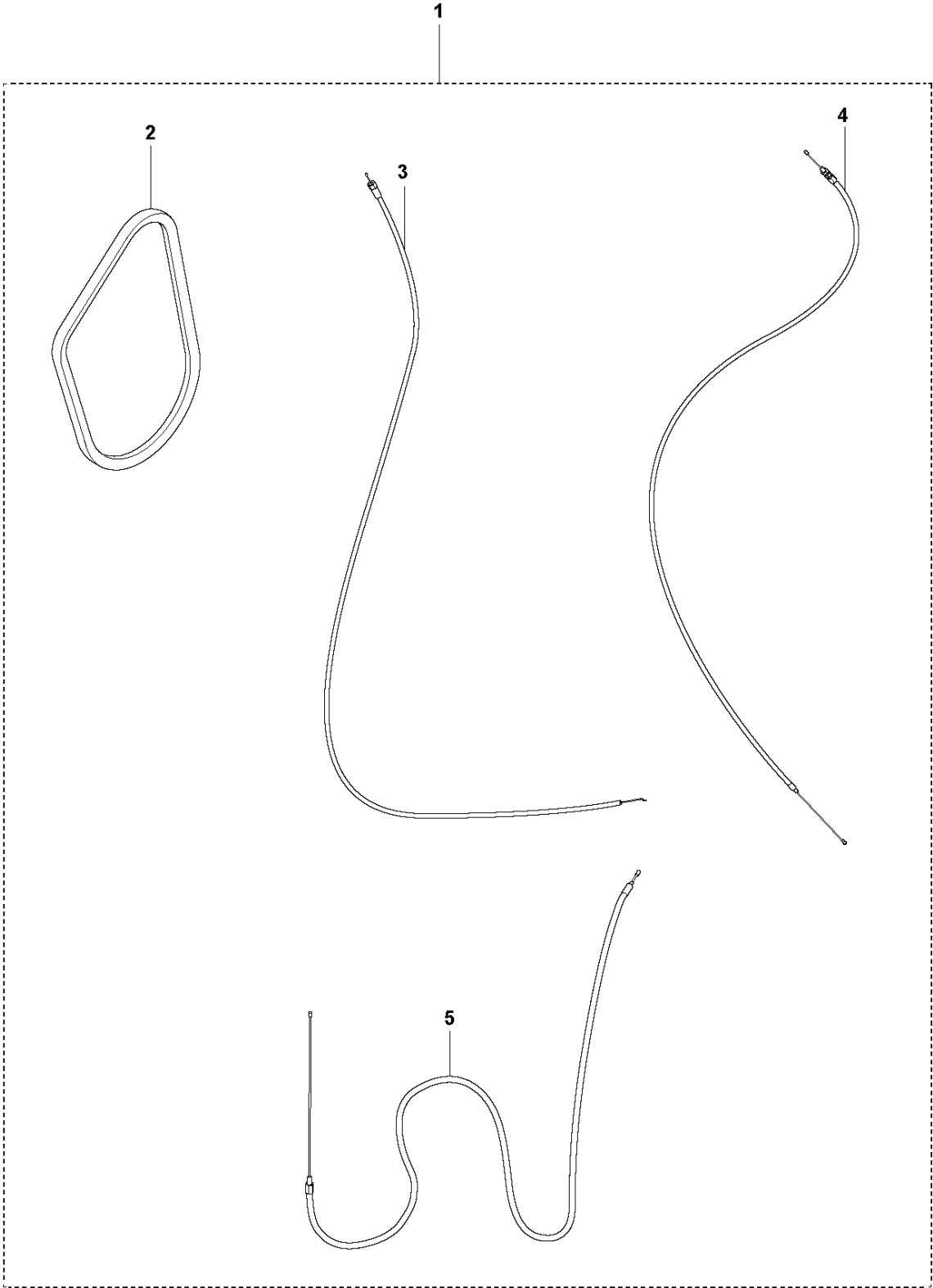


SERVICE KIT

BG 245 H4 F, 967929301, 2019-05

Ref	Part No	Description	Remark	QTY KIT	
1	594 20 02-01	SERVICE KIT		1	
2	594 30 21-01	AIR FILTER		1	1
3	594 54 43-01	SPARK PLUG	BPR6ES (NGK)	1	1
4	595 04 89-01	GASKET		1	1
5	594 31 30-01	GASKET		1	1
6	595 04 91-01	ROPE		1	1

J BG 245 H4
MAINTENANCE KIT - BG 245 / 244



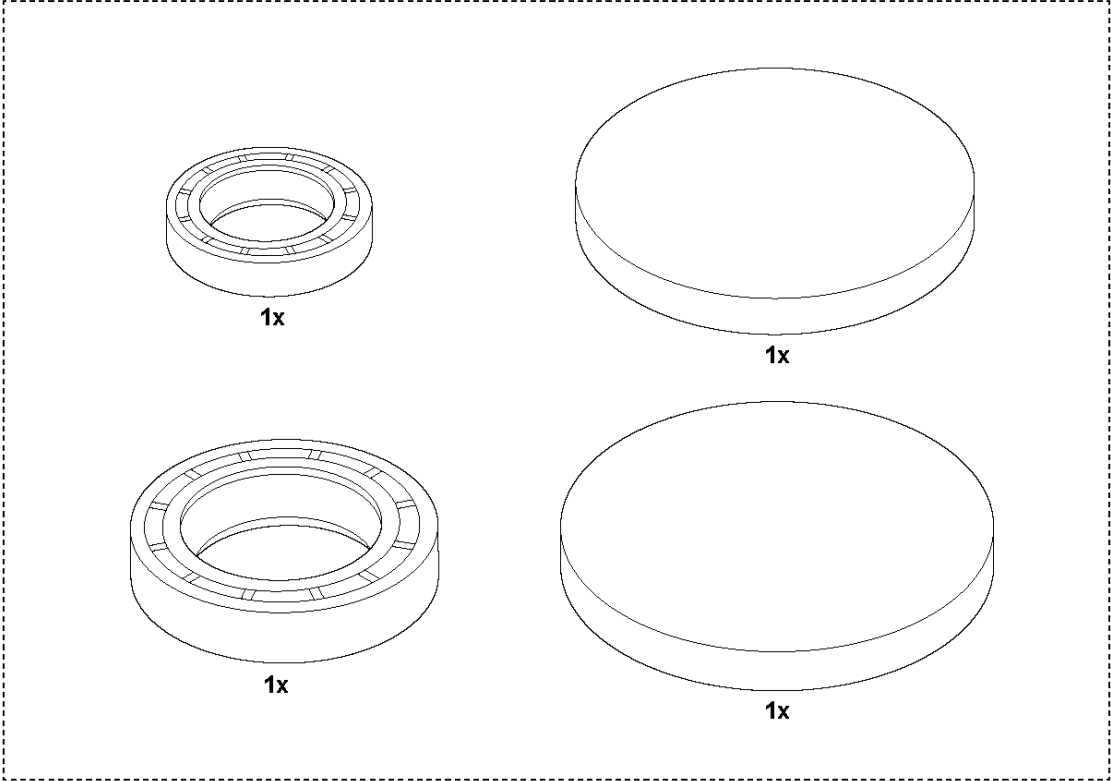
MAINTENANCE KIT

BG 245 H4 F, 967929301, 2019-05

Ref	Part No	Description	Remark	QTY KIT	
1	595 37 95-01	SERVICE KIT		1	
2	594 23 06-01	V-BELT		1	1
3	594 25 20-01	THROTTLE	Throttle cable	1	1
4	594 25 19-01	CLUTCH	Clutch cable	1	1
5	594 25 25-01	WIRE	Blade adjusting cable	1	1

M BG 245 H4 F
GEARBOX SEAL KIT

1



GEARBOX SEAL KIT

BG 245 H4 F, 967929301, 2019-05

Ref	Part No	Description	Remark	QTY KIT
1	594 20 69-01	SEAL	Gearbox seal kit (seals & plugs)	1