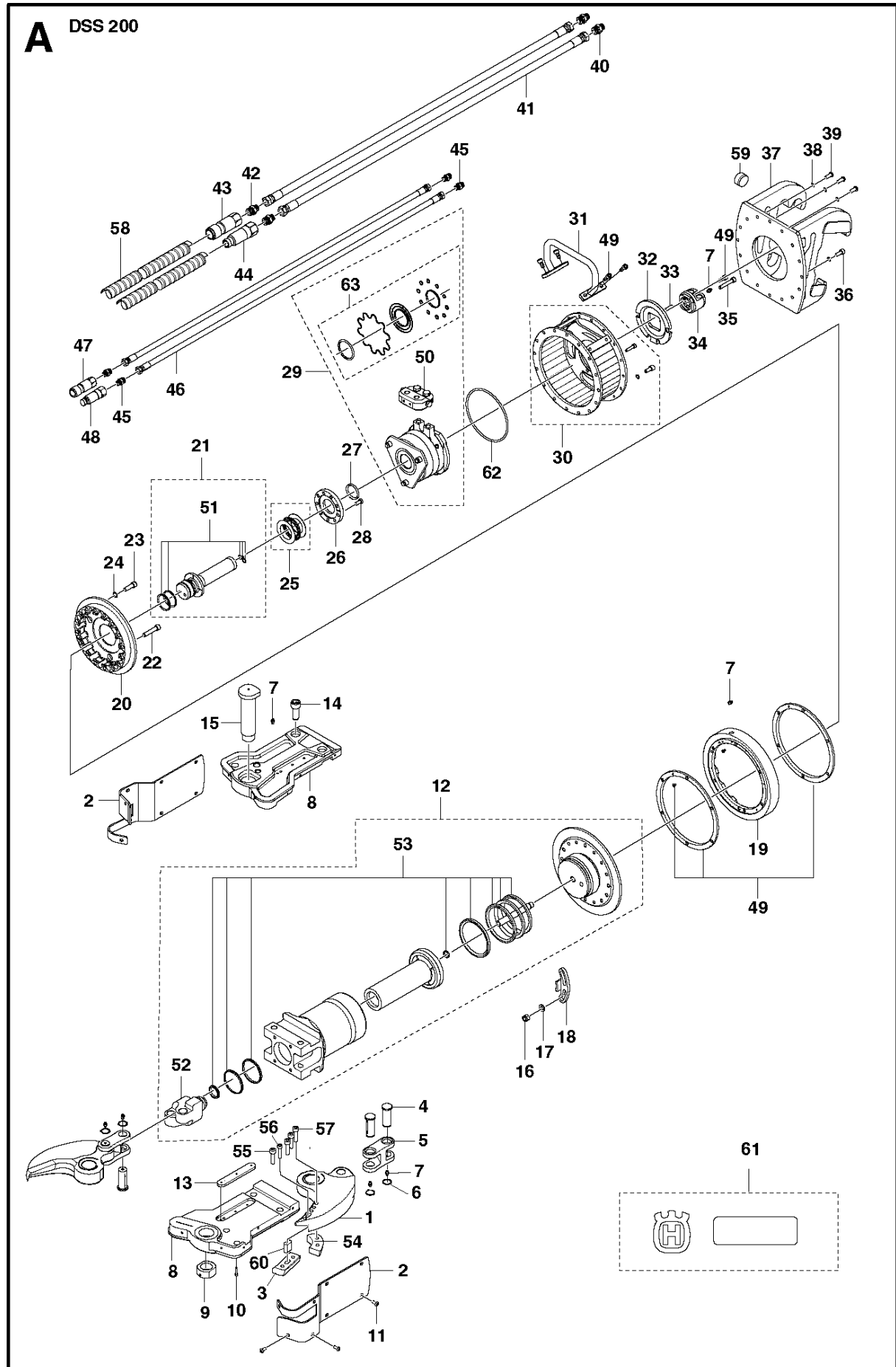




SPARE PARTS LIST

ACCESSORIES AND TOOLS

DSS200



Ref	Part No	Description	Remark	QTY	KIT
1	587 01 93-01	BLADE		2	
2	586 41 70-01	COVER PLATE		2	
3	587 01 94-01	CUTTING BLADE		2	
4	586 41 72-01	SHAFT		4	
5	586 41 92-01	LINK		2	
6	586 48 28-01	CIRCLIP		4	
7	579 00 98-01	LUBRICATION NIPPLE		12	
8	586 42 10-01	SUPPORT PLATE		2	
9	586 42 11-01	NUT		1	
10	586 47 88-01	SCREW IHSCM		6	
11	586 47 89-01	SCREW		16	
12	582 86 34-01	HYDRAULIC KIT		1	
13	586 42 14-01	PLATE		2	
14	586 47 90-01	SCREW IHSCM		4	
15	586 42 16-01	SHAFT		1	
16	586 42 98-01	LOCK NUT		2	
17	586 47 91-01	WASHER		2	
18	586 42 37-01	FIXING PLATE		1	
19	586 47 47-01	FLANGE		1	
20	586 42 39-01	FLANGE		1	
21	586 42 82-01	SWIVEL		1	
22	587 43 72-01	SCREW		2	
23	586 47 93-01	SCREW IHSCM		14	
24	586 47 94-01	WASHER		16	
25	586 42 88-01	NEEDLE BEARING		1	
26	586 42 41-01	HOLDER		1	
27	586 42 43-01	SEALING		1	
28	587 43 73-01	SCREW		9	
29	586 42 45-01	HYDRAULIC MOTOR		1	
30	586 42 93-01	COVER		1	
31	586 44 79-01	PROTECTOR BAR		1	
32	586 42 49-01	FIXING PLATE		1	
33	587 43 74-01	PIN		2	
34	586 42 51-01	HEAD		1	
35	586 47 98-01	SCREW IHSCM		1	
36	586 47 97-01	SCREW IHSCM		14	
37	586 41 67-01	ADAPTER	Only for DXR 140	1	
37	586 41 66-01	ADAPTER		1	
38	586 47 99-01	WASHER		16	
39	586 48 00-01	SCREW		3	
40	574 24 60-01	ADAPTER		2	
41	585 48 33-08	HOSE ASSY		2	
42	574 24 61-01	ADAPTER		2	
43	510 26 81-01	QUICK COUPLING		1	
44	510 26 80-01	QUICK COUPLING		1	
45	510 24 58-01	ADAPTER		4	
46	585 50 13-05	HOSE ASSY		2	
47	576 37 34-01	QUICK COUPLING		1	
48	576 37 32-01	QUICK COUPLING		1	
49	586 42 78-01	BEARING KIT		1	
50	586 44 48-01	VALVE ASSY		1	29
51	586 47 44-01	SEAL KIT		1	21
52	586 44 47-01	CYLINDER HEAD		1	12
53	582 86 16-01	SEAL KIT		1	12
54	587 01 95-01	CUTTING BLADE		2	
55	587 02 14-01	SCREW IHSCM		2	
56	587 02 12-01	SCREW IHSCM		2	
57	587 02 11-01	SCREW IHSCM		6	
58	587 02 15-01	PROTECTION		2	
59	586 96 17-01	SLEEVE		4	
62	586 70 73-01	SEALING		1	
61	592 65 91-01	STICKER		1	
60	587 37 04-01	LOCKING PIN		1	
63	595 07 24-01	SEAL KIT		1	