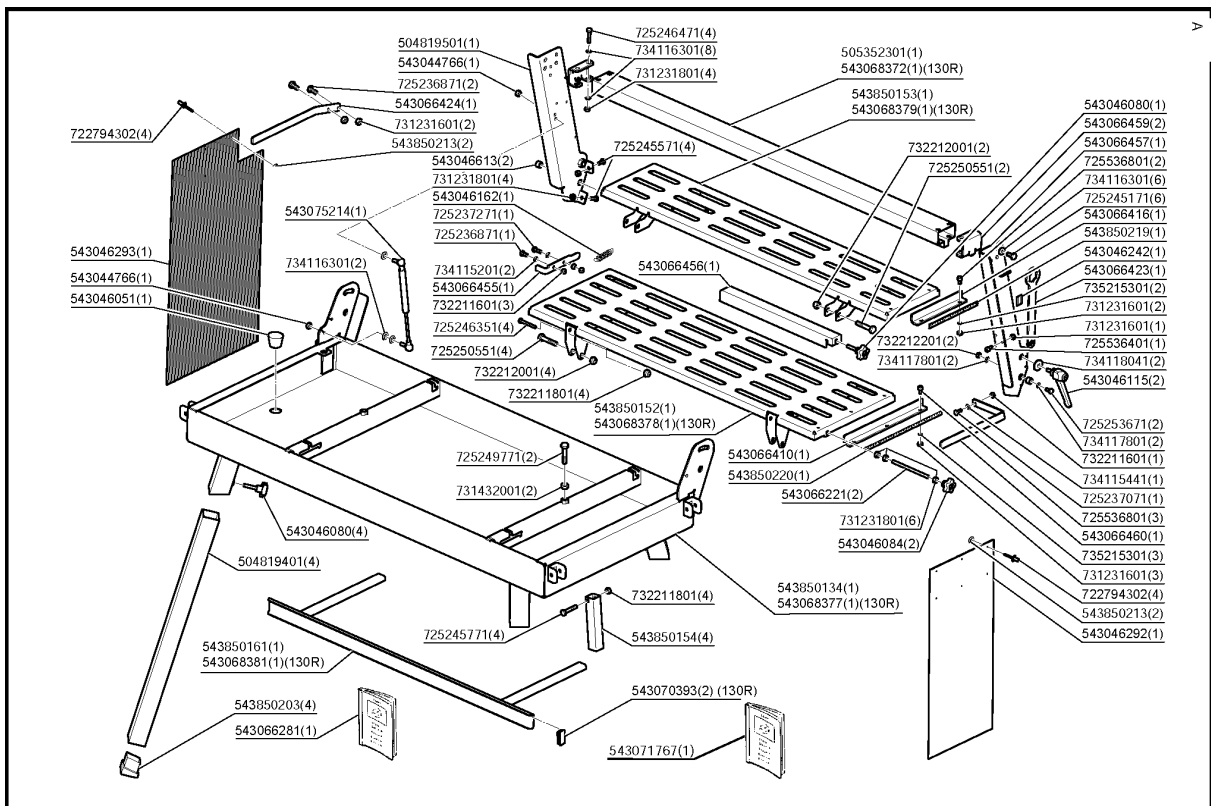




# SPARE PARTS LIST

TILE SAWS

TS100 R, 2008-06



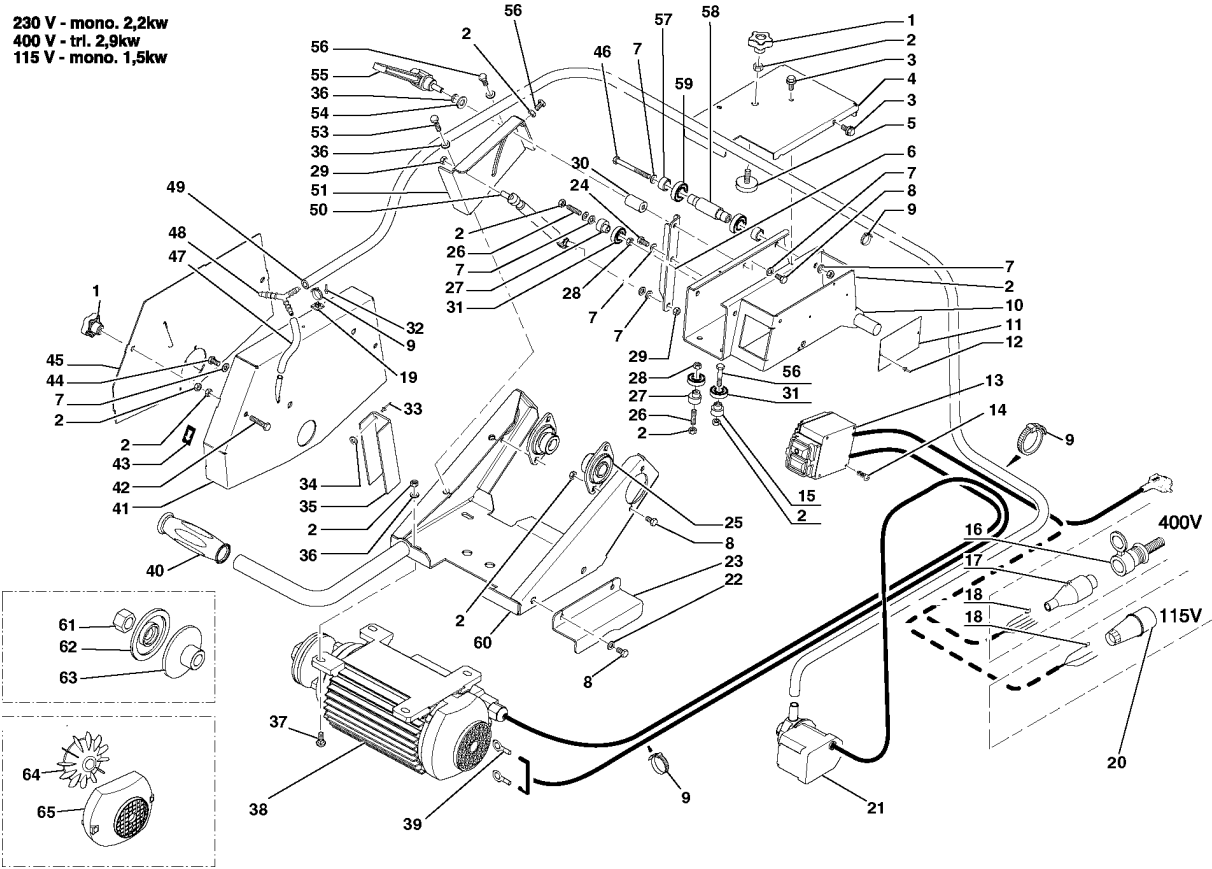
Part No	Description	Remark	QTY KIT
504 81 94-01	LEGS		4
504 81 95-01	ARM		4
505 35 23-01	RAIL		1
543 04 47-66	NUT		4
543 04 47-66	NUT		1
543 04 60-51	PLUG		4
543 04 60-80	VOL.VP/30 M8X20 6112115/		4
543 04 60-80	VOL.VP/30 M8X20 6112115/		4
543 04 60-84	STEERING WHEEL		1
543 04 61-15	POIGNEE ALU M12X25 L78/GN 300		1
543 04 61-62	RESSORT N' 11385/		2
543 04 62-42	CAOUTCHOUC 25/25/3 OA3/33714		2
543 04 62-92	FRONT SPLASH GUARD 40483/		1
543 04 62-93	BACK SPLASH GUARD 40484/		2
543 04 66-13	ROTATION RING 40438/		2
543 06 62-21	TABLE EXTENSION FIXING/SCREW		2
543 06 62-81	NOTICE TS100R/TS130R/		2
543 06 64-10	FRONT TABLE STOP/TS350KL		1
543 06 64-16	BACK TABLE STOP/TS350KL		2
543 06 64-23	WRENCH		2
543 06 64-24	BACK MUDGUARD SUPPORT/TS350KL		1
543 06 64-55	TABLE LOCK/TS100R		1
543 06 64-56	RULER/TS100R		4
543 06 64-57	FRONT ARM/TS100R		4
543 06 64-59	RAIL SUPPORT/TS100R		4
543 06 64-60	SUPPORT		3
543 06 83-72	***** 543081660 *****TS130R		1
543 06 83-77	WATER TANK		2
543 06 83-78	FRONT TABLETS130R		1
543 06 83-79	BACK TABLETS130R		1
543 06 83-81	TABLE EXTENSION TS130R		1
543 07 03-93	NOZZLE PVC 40/20		1
543 07 17-67	ILLUSTRATED PARTS LIST		4
543 07 52-14	SPRING		2
543 85 01-34	TANKTS100R		1
543 85 01-52	TABLE		4
543 85 01-53	TABLE		8
543 85 01-54	HANDLE		4
543 85 01-61	TABLE EXTENSIONTS100R		4
543 85 02-03	FEET PAD ON TS350E/TS400***543		1
543 85 02-13	MUDFLAP REINFORCEMENT		1
543 85 02-13	MUDFLAP REINFORCEMENT		2
543 85 02-19	RULER, RIGHTTS100R		1
543 85 02-20	RULER, LEFTTS100R		6
722 79 43-02	RIVET		1
722 79 43-02	RIVET		1
725 23 68-71	SCREW EHHM		2
725 23 68-71	SCREW EHHM		2
725 23 70-71	SCREW EHHM		1
725 23 72-71	SCREW EHHM		2
725 24 51-71	SCREW EHHM		2
725 24 55-71	SCREW EHHM		1
725 24 57-71	SCREW EHHM		1
725 24 63-51	SCREW EHHM		1
725 24 64-71	SCREW EHHM		1
725 24 97-71	SCREW EHHM		1
725 25 05-51	SCREW EHHM		2
725 25 05-51	SCREW EHHM		2
725 25 36-71	SCREW EHHM		1
725 53 64-01	SCREW IHSCM		1
725 53 68-01	SCREW IHSCM		1
725 53 68-01	SCREW IHSCM		1
731 23 16-01	HEXAGON NUT		2
731 23 16-01	HEXAGON NUT		2

## FRAME

TS100 R, 2008-06

Part No	Description	Remark	QTY KIT
731 23 16-01	HEXAGON NUT		2
731 23 16-01	HEXAGON NUT		2
731 23 18-01	HEXAGON NUT		1
731 23 18-01	HEXAGON NUT		1
731 23 18-01	HEXAGON NUT		1
731 43 20-01	HEXAGON THIN NUT		3
732 21 16-01	NUT		1
732 21 16-01	NUT		3
732 21 18-01	LOCK NUT		3
732 21 18-01	LOCK NUT		4
732 21 20-01	NUT		2
732 21 20-01	NUT		6
732 21 22-01	NUT		1
734 11 52-01	WASHER		1
734 11 54-41	WASHER		1
734 11 63-01	WASHER		6
734 11 63-01	WASHER		4
734 11 63-01	WASHER		4
734 11 78-01	WASHER		1
734 11 78-01	WASHER		2
734 11 80-41	WASHER		1
735 21 53-01	LOCKWASHER		2
735 21 53-01	LOCKWASHER		1

230 V - mono. 2,2kw  
400 V - trl. 2,9kw  
115 V - mono. 1,5kw



Ref	Part No	Description	Remark	QTY KIT
1	543 04 60-84	STEERING WHEEL		
2	731 23 18-01	HEXAGON NUT		
3	543 04 45-85	VIS TH 8/8 5X10 BICHROM/		
4	504 81 96-01	COVER		
5	543 04 59-79	SUPPORT ANTIVIBRATOIRE/		
6	543 06 64-63	JACK FIXATION/TS100R		
7	734 11 63-01	WASHER		
8	725 24 49-71	SCREW EHHM		
8	725 24 49-71	SCREW EHHM		
8	725 24 49-71	SCREW EHHM		
9	543 04 50-83	COLLIER SES QUICK 185/46/SL-C		
9	543 04 50-83	COLLIER SES QUICK 185/46/SL-C		
9	543 04 50-83	COLLIER SES QUICK 185/46/SL-C		
10	543 06 64-61	TROLLEY		
11	543 85 00-56	NAME PLATE, EUROPE		
12	722 78 18-03	RIVET		
13	543 04 51-31	SWITCH		
13	543 06 83-73	SWITCH		
13	543 85 00-45	SWITCH	115V	
14	729 53 46-01	SCREW	400V	
15	543 06 62-46	BEARING SUPPORT		
16	543 04 51-45	PROLONG. 3P+N+T 16A 6H/		
17	543 04 51-36	FICHE 16A 380V 3P+N+T 6H/AVEC		
18	543 04 52-54	COSSE EMBOUT 1.5MM/LEG 37664		
18	543 04 52-54	COSSE EMBOUT 1.5MM/LEG 37664		
19	543 04 50-88	COLLIER SUPPORT D/19/		
20	543 04 51-46	FICHE 2P+T 32A 110V 4H/PRESSE		
21	504 03 19-05	PUMP	230V 50Hz 2.5m Black TS	
21	504 03 19-06	PUMP	110V 50Hz 2.5m Black TS	
22	543 04 47-08	WASHER		
23	504 81 97-01	PROTECTION		
25	543 06 62-31	BEARING SUPPORT		
26	728 74 53-00	SCREW IHSETM		
27	543 04 66-16	D35		
28	735 31 14-00	CIRCLIP		
29	543 04 47-66	NUT		
30	543 04 66-17	HEIGHT SPACER 40471/		
31	738 21 01-04	BALL BEARING		
32	725 22 89-71	SCREW EHHM		
33	722 79 43-02	RIVET		
34	543 04 47-05	RONDELLE ACIER M4 BICHRO/		
35	543 04 62-88	BAVETTE TS 300E/		
36	543 04 47-18	RONDELLE ACIER L8 BICHRO/		
37	723745300	TBD		
38	543 85 01-80	MOTOR	230v-2,2kw	
38	543 85 01-83	MOTOR	400v-2,9kw	
38	543 85 02-83	MOTOR	115v-1,5kw	
39	543 04 52-36	COSSE BLEUE PLAG D4 BFM4/		
40	543 04 56-54	HANDLE		
41	504 81 99-01	BLADE GUARD		
42	725 24 64-71	SCREW EHHM		
43	543 85 00-37	STICKER		
44	725 24 51-71	SCREW EHHM		
45	504 82 00-01	BLADE GUARD		
46	725 24 71-51	SCREW EHHM		
47	543 85 00-23	HOSE		
48	543 85 01-50	Y-COUPLING FOR HOSE		
49	543 85 00-14	HOSE		
50	543 06 62-44	GAS SPRING		
51	504 81 98-01	ADJUSTER		
53	725 24 60-71	SCREW EHHM		
54	543 04 48-98	WASHER		
55	543 85 01-81	HANDLE		
56	725 24 55-71	SCREW EHHM		

## MOTOR

TS100 R, 2008-06

Ref	Part No	Description	Remark	QTY KIT
57	543 04 66-15	BEARING RING		
58	543 04 66-14	BEARING SHAFT		
59	738 21 02-04	BALL BEARING		
60	543 06 64-65	MOTOR SUPPORT/TS350KL		
61	543 85 01-75	NUT		
62	543 85 01-74	FLANGE		
63	543 85 01-73	FLANGE		
64	543 85 01-78	FLYWHEEL		
65	543 85 01-78	FLYWHEEL		