

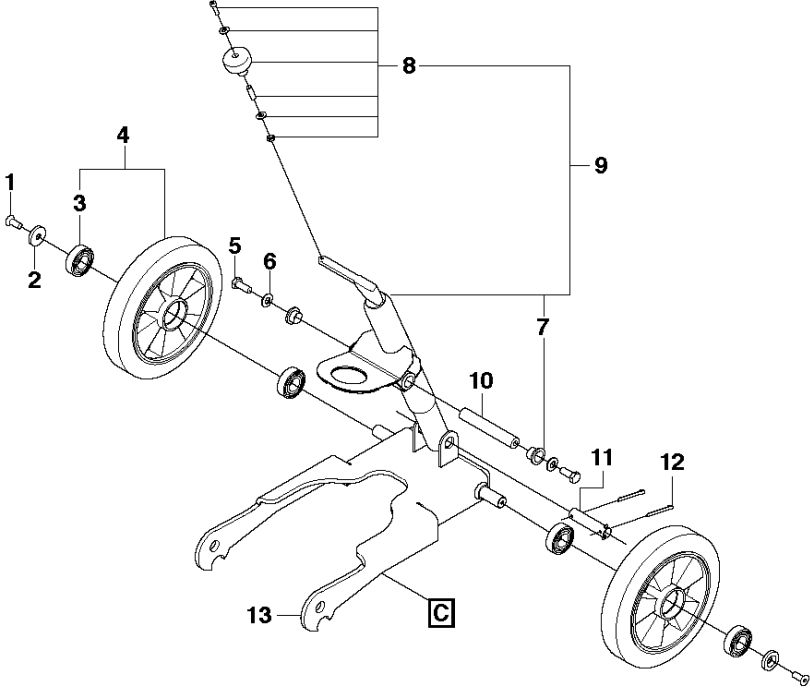


# SPARE PARTS LIST

SURFACE PREPARATION EQUIPMENT

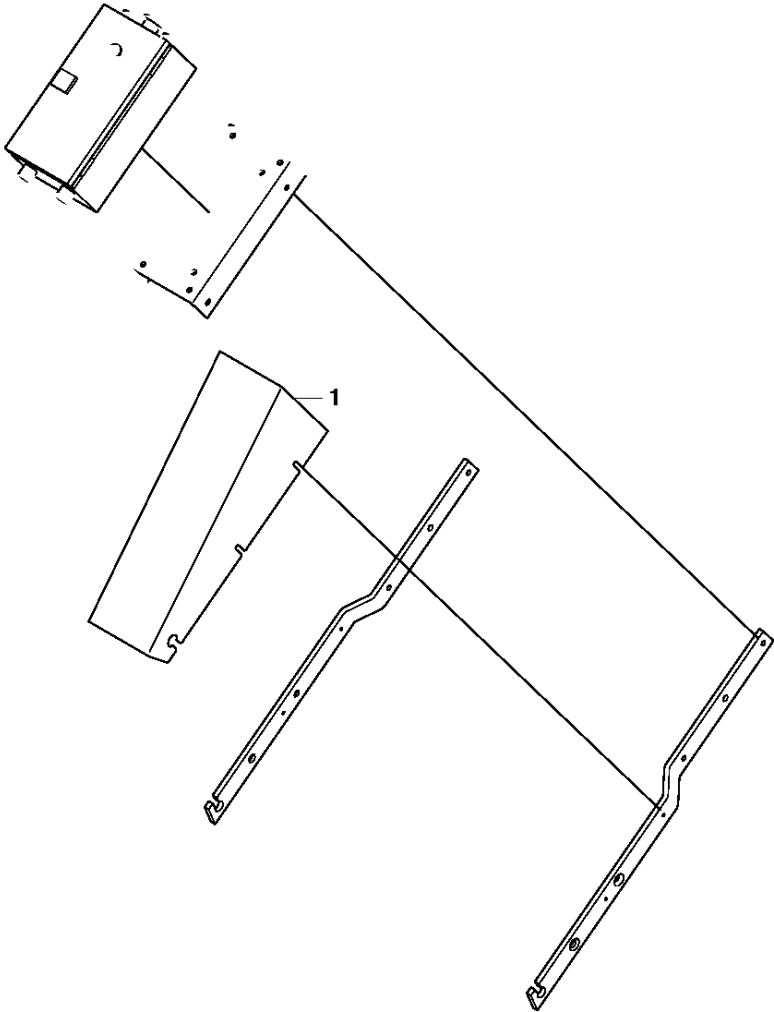
PG 280, From serial number 148 to 2010:  
17 00010, 2009-07

**B**



Ref	Part No	Description	Remark	QTY	KIT
1	725 53 68-51	SCREW IHSCM		2	
2	725 24 93-76	SCREW EHHM		2	
3	574 70 32-01	ADJUSTMENT SCREW		4	4
4	504 18 55-01	WHEEL		2	
5	725 64 93-76	SCREW EHHM		2	
6	734 11 72-01	WASHER		2	
7	510 21 75-01	BUSHING		2	9
8	574 56 89-01	KIT		1	9
9	510 21 68-01	ADJUSTMENT SCREW		1	
10	510 21 77-01	SHAFT PIVOT		1	
11	510 21 57-01	LOCKING PIN		1	
12	721 62 16-01	SPLIT PIN		2	
13	574 56 69-01	CHASSIS		1	

**D**

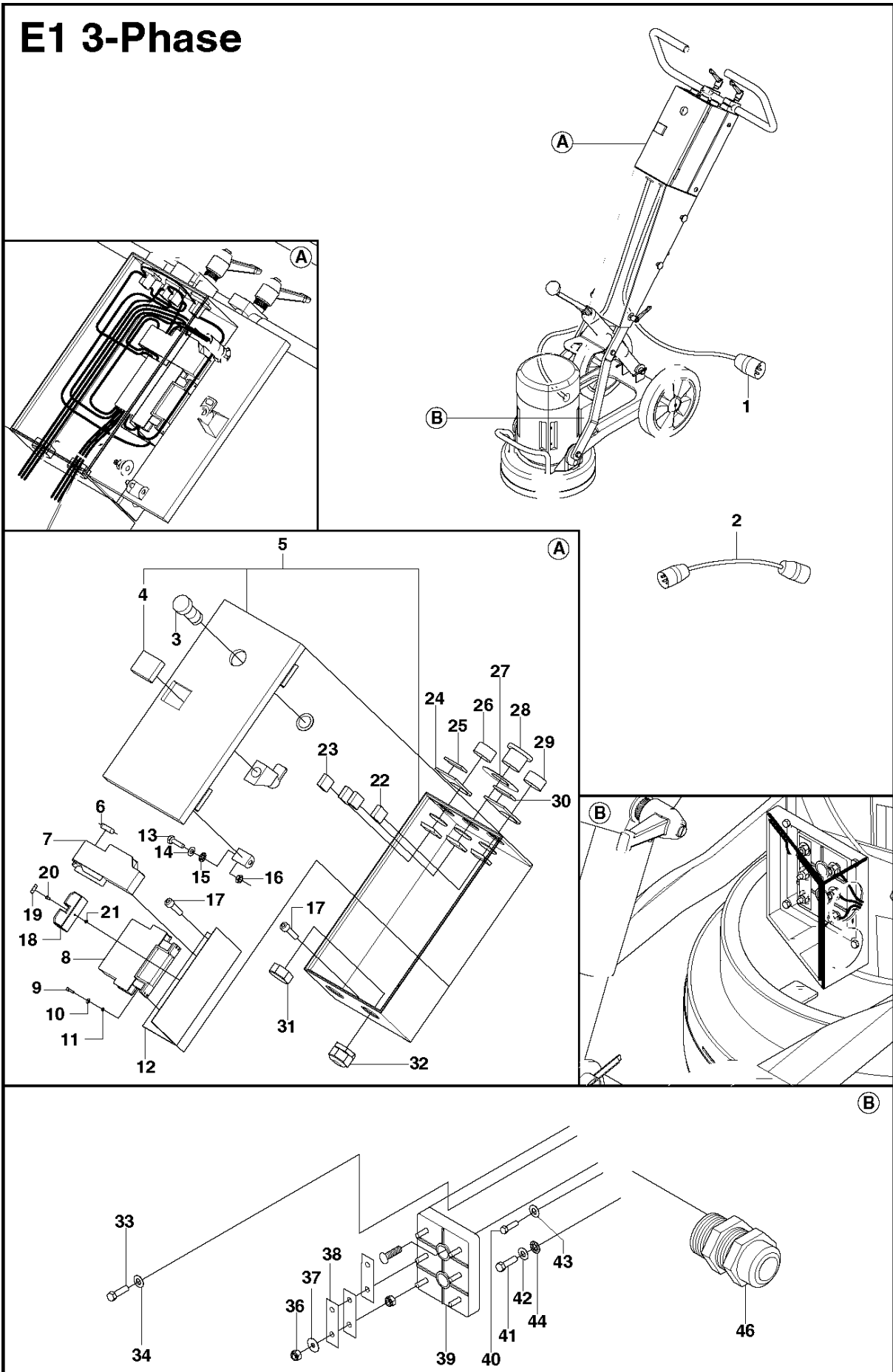


Dust cover

PG 280, From serial number 148 to 2010: 17 00010, 2009-07

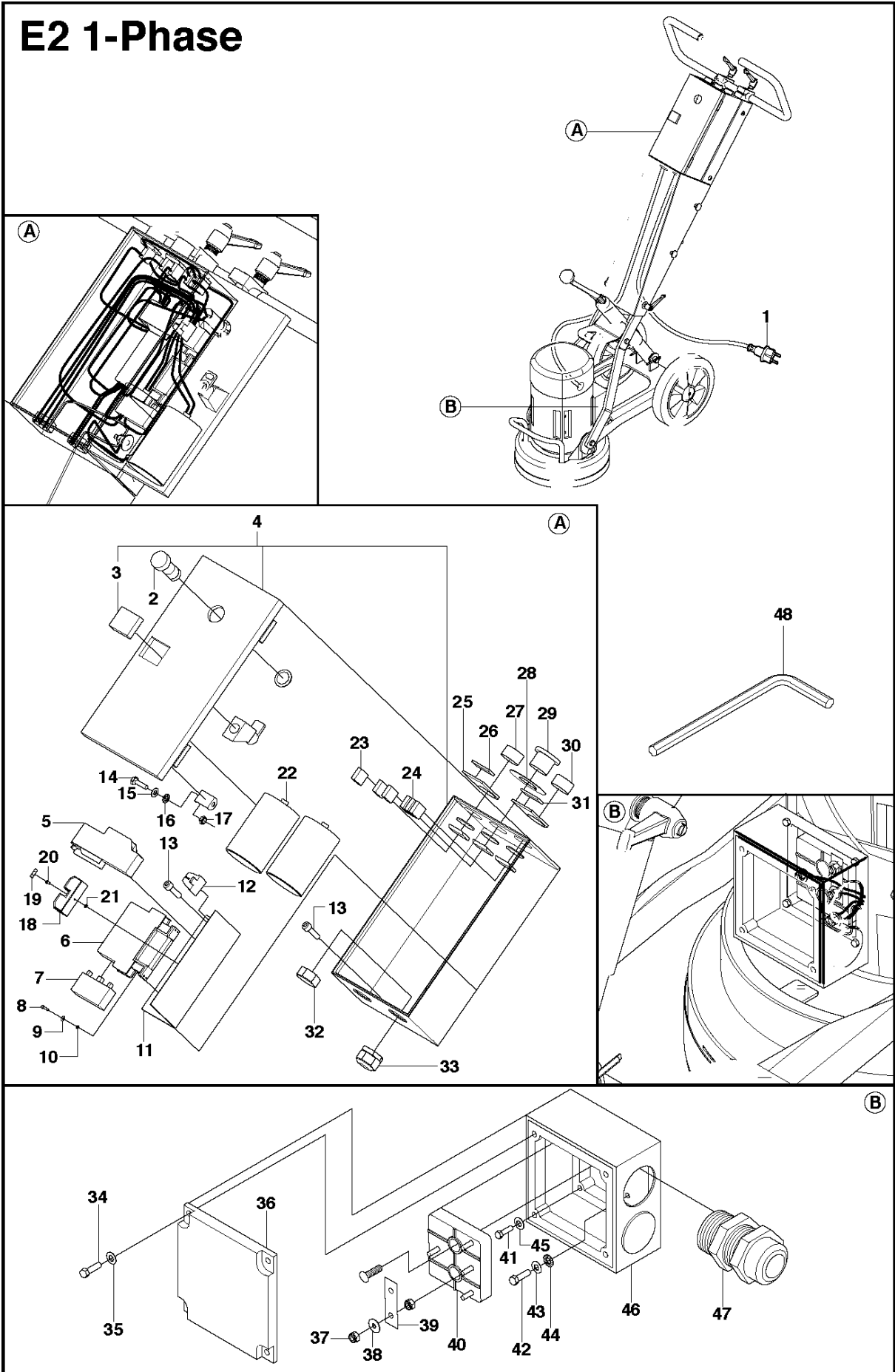
Ref	Part No	Description	Remark	QTY KIT
1	510 22 81-01	DUST COVER		1

# E1 3-Phase



Ref	Part No	Description	Remark	QTY	KIT
1	529 31 61-01	CABLE		1	
2	574 52 41-01	CABLE ASSY		1	
3	510 43 48-01	LED		1	
4	516 06 21-01	LOCK		1	5
5	525 63 82-01	ELECTRIC BOX		1	
6	516 06 23-01	RESISTOR		1	
7	510 43 42-01	OVERLOAD PROTECTION		1	
8	510 43 08-01	CONTACTOR		1	
9	725 52 93-01	SCREW IHSCM		4	
10	734 11 36-01	WASHER		4	
11	732 25 12-01	HEXAGON LOCKING NUT		4	
12	516 06 24-01	SHEET		1	
13	725 23 64-71	SCREW EHHM		1	
14	734 11 52-01	WASHER		2	
15	735 21 53-01	LOCKWASHER		2	
16	731 23 16-01	HEXAGON NUT		2	
17	725 53 64-55	SCREW IHSCM		6	
18	525 88 26-01	FUSE HOLDER		1	
19	525 63 81-01	FUSE		2	
20	725 53 25-01	SCREW IHSCM		1	
21	732 25 14-01	HEXAGON LOCKING NUT		1	
22	510 43 15-01	CONTACT PLATE		1	
23	510 43 14-01	CONTACT PLATE		3	
24	510 43 30-01	HOLDER		2	
25	510 43 31-01	SIGN		1	
26	510 43 11-01	PUSH BUTTON		1	
27	510 43 16-01	SIGN		1	
28	510 43 13-01	PUSH BUTTON		1	
29	510 43 12-01	PUSH BUTTON		1	
30	510 43 32-01	SIGN		1	
31	510 43 18-01	NUT		2	
32	510 43 17-01	CABLE GROMMET		2	
33	725 23 37-71	SCREW EHHM		2	
34	516 06 29-01	LOCKWASHER		2	
36	731 23 14-01	HEXAGON NUT		12	
37	734 11 36-01	WASHER		6	
38	516 06 31-01	CONNECTION PLATE		3	
39	516 06 33-01	TERMINAL BLOCK		1	
40	725 23 29-71	SCREW EHHM		4	
41	725 23 66-71	SCREW EHHM		1	
42	734 11 52-01	WASHER		1	
43	516 06 29-01	LOCKWASHER		4	
44	735 21 53-01	LOCKWASHER		1	
46	521 88 50-01	CABLE GROMMET		1	

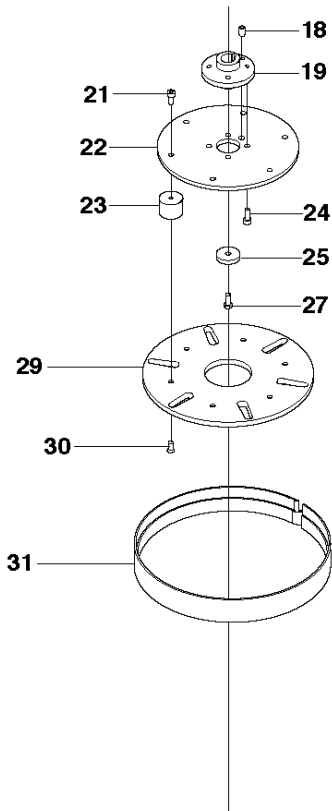
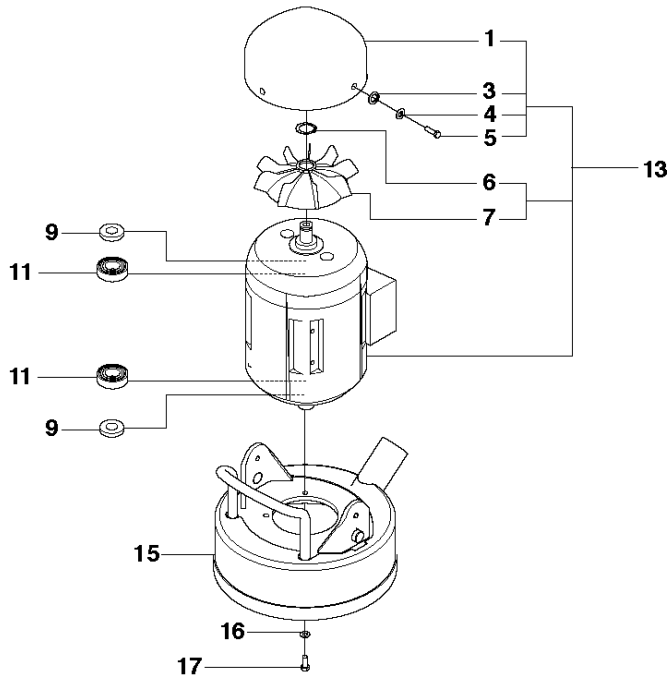
# E2 1-Phase



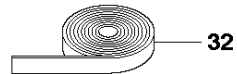
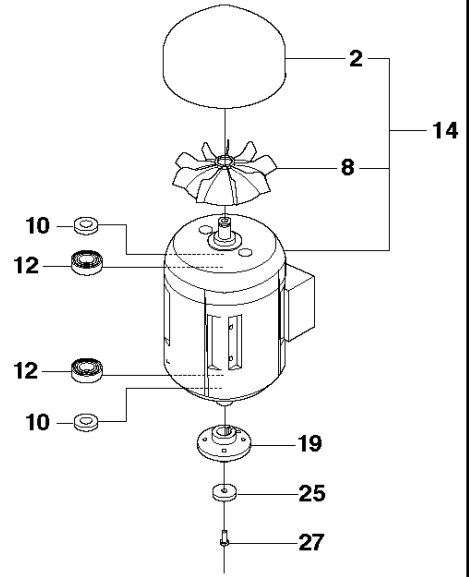


Ref	Part No	Description	Remark	QTY KIT
1	525 84 19-01	CABLE		1
1	525 84 19-02	CABLE		1
1	525 84 19-03	CABLE		1
2	510 43 48-01	LED		1
3	516 06 21-01	LOCK		1 4
4	525 63 82-02	ELECTRIC BOX		1
5	510 43 41-01	OVERLOAD PROTECTION		1
6	510 43 09-01	CONTACTOR		1
7	510 43 49-01	TIMER		1
8	725 52 93-01	SCREW IHSCM		4
9	734 11 36-01	WASHER		4
10	732 25 12-01	HEXAGON LOCKING NUT		4
11	516 06 24-01	SHEET		1
12	510 43 34-01	TERMINAL BLOCK		1
13	725 53 64-55	SCREW IHSCM		6
14	725 23 64-71	SCREW EHHM		1
15	734 11 52-01	WASHER		2
16	735 21 53-01	LOCKWASHER		2
17	731 23 16-01	HEXAGON NUT		2
18	525 63 80-01	FUSE HOLDER		1
19	525 63 81-01	FUSE		1
20	725 53 25-01	SCREW IHSCM		1
21	732 25 14-01	HEXAGON LOCKING NUT		1
22	510 43 33-01	CAPACITOR		2
23	510 43 14-01	CONTACT PLATE		3
24	510 43 15-01	CONTACT PLATE		3
25	510 43 30-01	HOLDER		2
26	510 43 31-01	SIGN		1
27	510 43 11-01	PUSH BUTTON		1
28	510 43 16-01	SIGN		1
29	510 43 13-01	PUSH BUTTON		1
30	510 43 12-01	PUSH BUTTON		1
31	510 43 32-01	SIGN		1
32	510 43 18-01	NUT		2
33	510 43 17-01	CABLE GROMMET		2
34	521 88 80-01	SCREW		4
35	734 11 36-01	WASHER		4
36	521 88 81-01	LID		1
37	731 23 12-01	HEXAGON NUT		8
38	734 11 36-01	WASHER		4
39	521 88 82-01	CONNECTION		1
40	521 88 83-01	TERMINAL BLOCK		1
41	724 12 91-51	SCREW CRPANM		4
42	521 88 84-01	LOCKWASHER		4
43	724 12 87-51	SCREW		1
44	734 11 36-01	WASHER		1
45	735 21 36-01	LOCKWASHER		1
46	521 88 85-01	ELECTRIC BOX		1
47	521 88 86-01	CABLE GROMMET		1
48	531 11 95-36	INBUSSCHLUESSEL 8MM		1

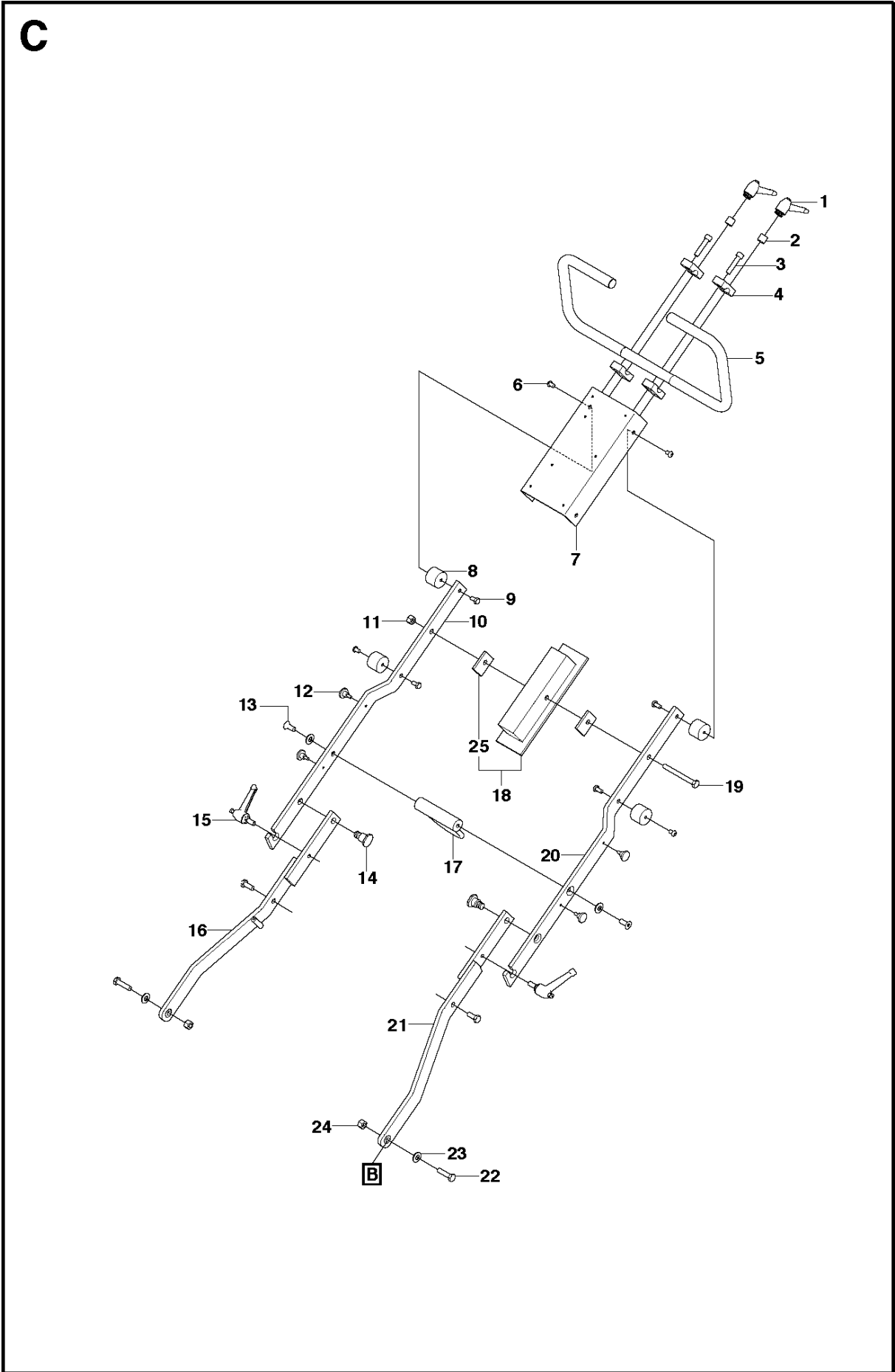
# A 3-Phase



# Single Phase



Ref	Part No	Description	Remark	QTY	KIT
1	522 48 67-01	FAN COVER		1	13
2	522 48 68-01	FAN COVER		1	14
3	522 46 40-01	LOCKWASHER		4	13
4	522 46 42-01	WASHER		4	13
5	725 23 25-77	SCREW EHHM		4	13
6	735 31 28-00	CIRCLIP		1	13
7	522 48 70-01	IMPELLER		1	13
8	522 48 71-01	IMPELLER		1	14
9	740 68 16-21	V-RING SEAL		2	13
10	740 68 14-21	V-RING		2	14
11	738 22 06-29	BALL BEARING		2	13
12	738 22 05-29	BEARING		2	14
13	510 20 84-02	MOTOR		1	
14	510 43 50-02	MOTOR		1	
15	574 70 31-01	MOTOR BRACKET		1	
16	734 11 63-01	WASHER		4	
17	725 54 55-01	SCREW IHSCM		4	
18	721 44 09-01	PEN		1	
19	510 21 33-01	HUB		1	
21	725 64 47-55	SCREW IHCSFM		6	
22	510 21 30-01	ATTACHMENT PLATE		1	
23	510 21 31-01	DAMPER		6	
24	725 54 51-55	SCREW IHSCM		4	
25	510 23 51-01	WASHER		1	
27	725 24 95-71	SCREW EHHM		1	
29	522 67 73-01	HOLDER		1	
30	725 64 49-55	SCREW IHCSFM		6	
31	574 27 20-01	RUBBER SKIRT		1	
32	525 55 51-01	STRIP		1	



Ref	Part No	Description	Remark	QTY	KIT
1	510 24 48-01	HANDLE		2	
2	510 22 96-01	SPACER		2	
3	725 55 00-55	SCREW IHSCM		2	
4	510 22 93-01	BRACKET		4	
5	510 22 94-01	HANDLE		1	
6	510 36 15-01	SCREW IHPANM		4	
7	510 22 88-01	FRAME		1	
8	510 22 78-01	DAMPER		4	
9	725 24 49-71	SCREW EHHM		4	
10	510 22 69-01	FORK		1	
11	732 25 20-01	HEXAGON LOCKING NUT		3	
12	510 36 16-01	SCREW		4	
13	725 64 93-55	SCREW IHCSFM		2	
14	510 22 84-01	BUSHING		2	
15	510 22 82-01	LOCKING HANDLE		2	
16	510 21 60-01	ARM		1	
17	510 22 70-01	HOSE CLIP		1	
18	574 55 55-01	KIT		1	
19	725 25 11-51	SCREW EHHM		1	
20	510 22 68-01	FORK		1	
21	510 21 59-01	ARM		1	
22	725 25 00-81	SCREW EHHM		2	
23	734 11 72-01	WASHER		4	
24	732 25 20-01	HEXAGON LOCKING NUT		2	
25	522 48 72-01	SPACER		2	18