

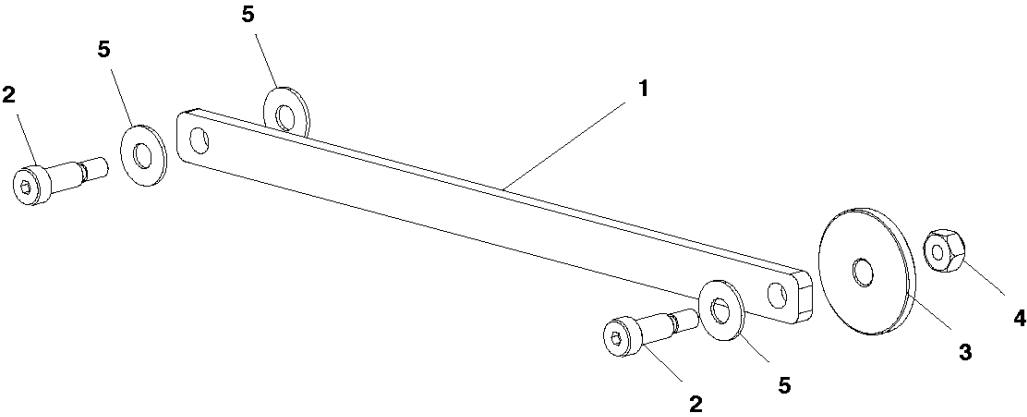


SPARE PARTS LIST

EARLY ENTRY SAWS

Soff-Cut X50, 2015-02

C SOFF CUT X50 – HANDHELD FINISHING SAW
GUIDE ARM ASSEMBLY

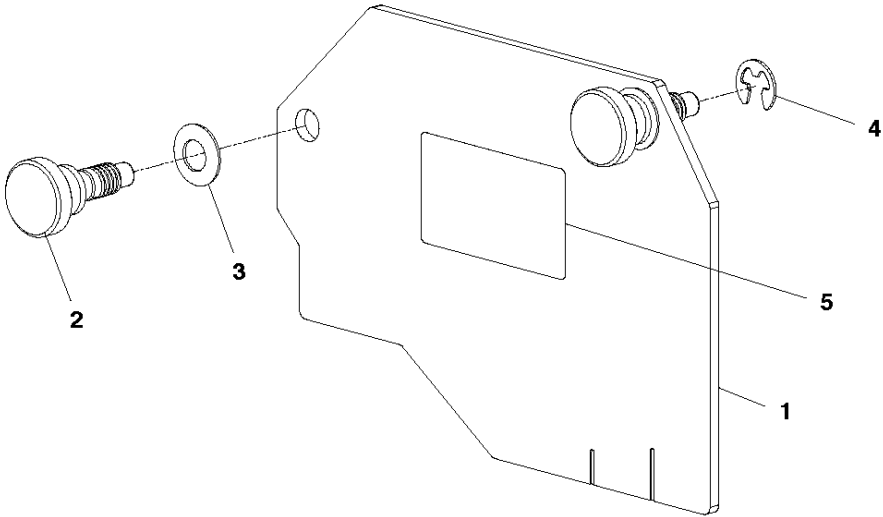


BLADE ARM

Soff-Cut X50, 2015-02

Ref	Part No	Description	Remark	QTY KIT
1	505 83 78-01	GUIDE ARM		1
2	505 62 69-01	SHSH BOLT 1/4 X 1/2 BLK STL		2
3	505 83 79-01	GUIDE WHEEL		1
4	505 63 04-01	NYLOC NUT #10-24 CAD.PL.		1
5	505 63 44-01	FLAT WASHER .600 X .253 X .040		3

B SOFF CUT X50 – HANDHELD FINISHING SAW
BLADE BLOCK COVER ASSEMBLY

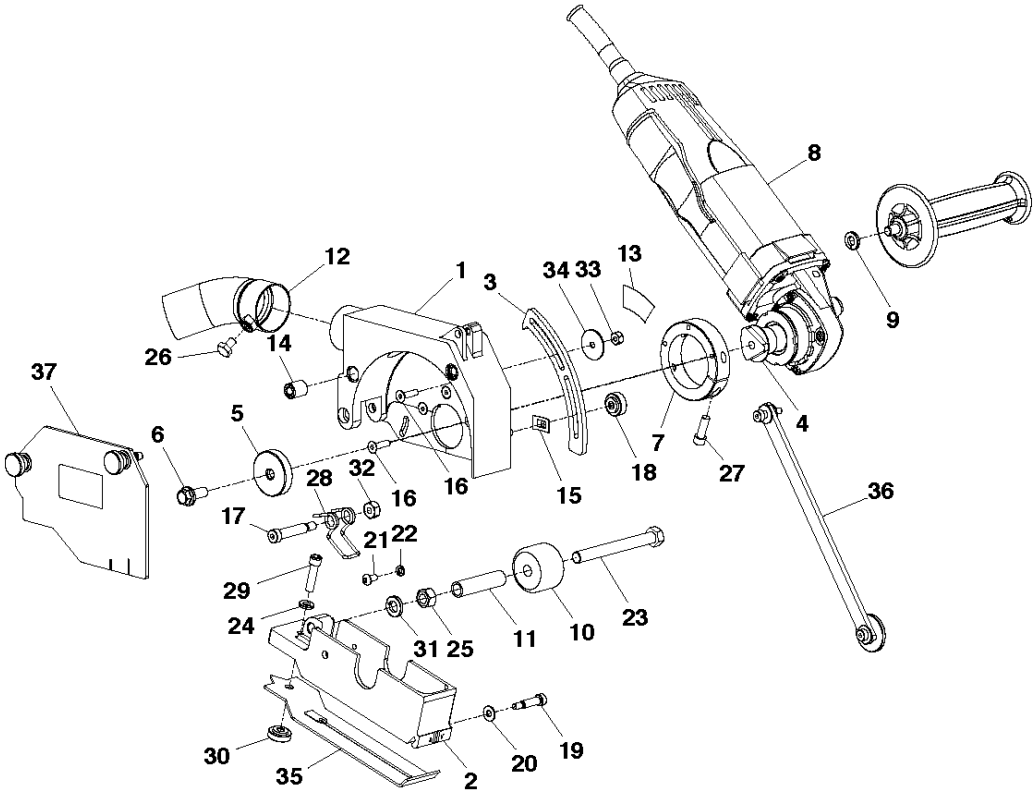


BLADE BLOCK COVER

Soff-Cut X50, 2015-02

Ref	Part No	Description	Remark	QTY KIT
1	505 83 69-01	BLADE COVER		1
2	505 53 63-01	KNOB		2
3	505 53 64-01	WASHER		2
4	505 53 65-01	E-CLIP		2
5	505 83 89-01	LABEL		1

A SOFF CUT X50 – HANDHELD FINISHING SAW
PRODUCT COMPLETE



PRODUCT COMPLETE

Soff-Cut X50, 2015-02

Ref	Part No	Description	Remark	QTY KIT
1	505 83 67-01	BLADE BLOCK. UPPER		1
2	505 83 68-01	BLADE BLOCK. LOWER		1
3	505 83 70-01	DEPTH ARM		1
4	505 83 72-01	ARBOR SHAFT		1
5	505 49 15-01	WASHER		1
6	521 89 82-02	BOLT		1
7	505 83 76-01	COLLAR FLANGE		1
8	505 83 92-01	MOTOR		1
9	505 63 30-01	LK WASH 5/16 SPLIT SS		1
10	505 83 80-01	WHEEL		1
11	505 83 81-01	WHEEL SPACER		1
12	505 83 82-01	ELBOW. DEFLECTOR		1
13	505 83 90-01	LABEL		1
14	505 74 83-01	THREADED INSERT S.S.		2
15	505 83 84-01	10-24 SPEED NUT		1
16	505 77 29-01	FHC 10-24 X 3/4 SS		5
17	505 72 58-01	SHSB 1/4 X 3/4 BLK STL		1
18	505 83 71-01	THUMB NUTS(10-24)		1
19	505 72 58-01	SHSB 1/4 X 3/4 BLK STL		1
20	505 63 53-01	FLAT WASH #10 S.S		1
21	505 83 87-01	BHS 10-24X3/8 S.S.		1
22	505 63 31-01	LK WASH #10 SPLIT SS		1
23	539 30 08-70	NLA HCS 3/8-16 X 3-1/2 GR 5 ZN		1
24	505 63 28-01	LK WASH 1/4 SPLIT SS		1
25	505 83 86-01	JAM NUT 3/8-16 S.S.		1
26	505 62 73-01	HEX BOLT 1/4-20-3/8 S.S.		1
27	505 62 78-01	SHC 1/4-20-3/4 S.S.		1
28	505 83 88-01	SPRING		1
29	505 62 79-01	SHC 1/4-20-1 S.S.		1
30	505 62 43-01	NYLON THUMB NUTS		1
31	505 73 10-01	LK WASH 3/8 SPLIT SS		1
32	539 97 69-78	NUT		1
33	505 63 04-01	NYLOC NUT #10-24 CAD.PL.		1
34	505 72 48-01	FLAT WASH #10 X 1"O.D.FENDER		1
35	505 83 73-01	SKID PLATE		1
36	505 86 11-02	KIT		1
37	505 86 22-01	X50 BLADE COVER		1