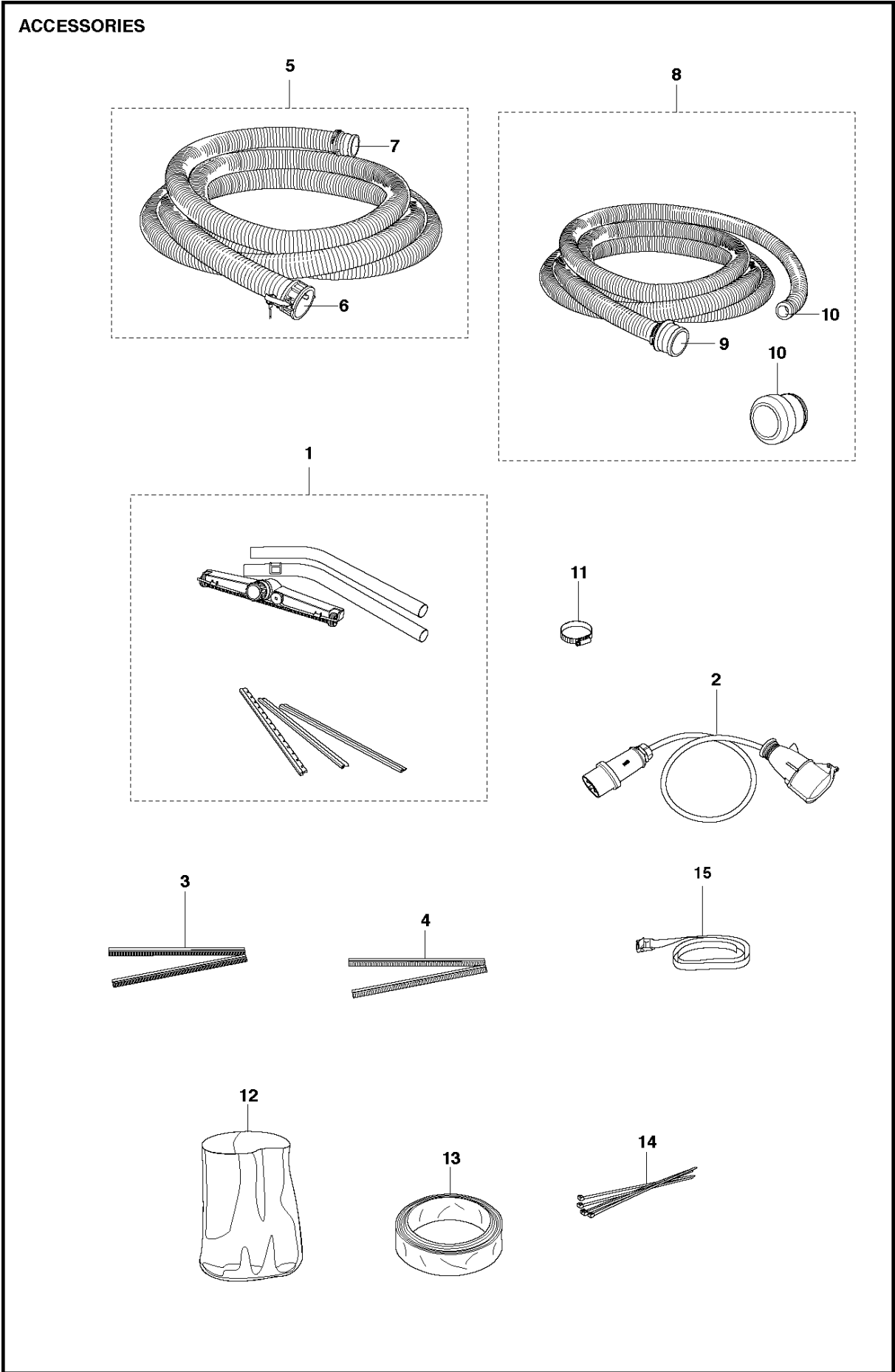




SPARE PARTS LIST

SURFACE PREPARATION EQUIPMENT

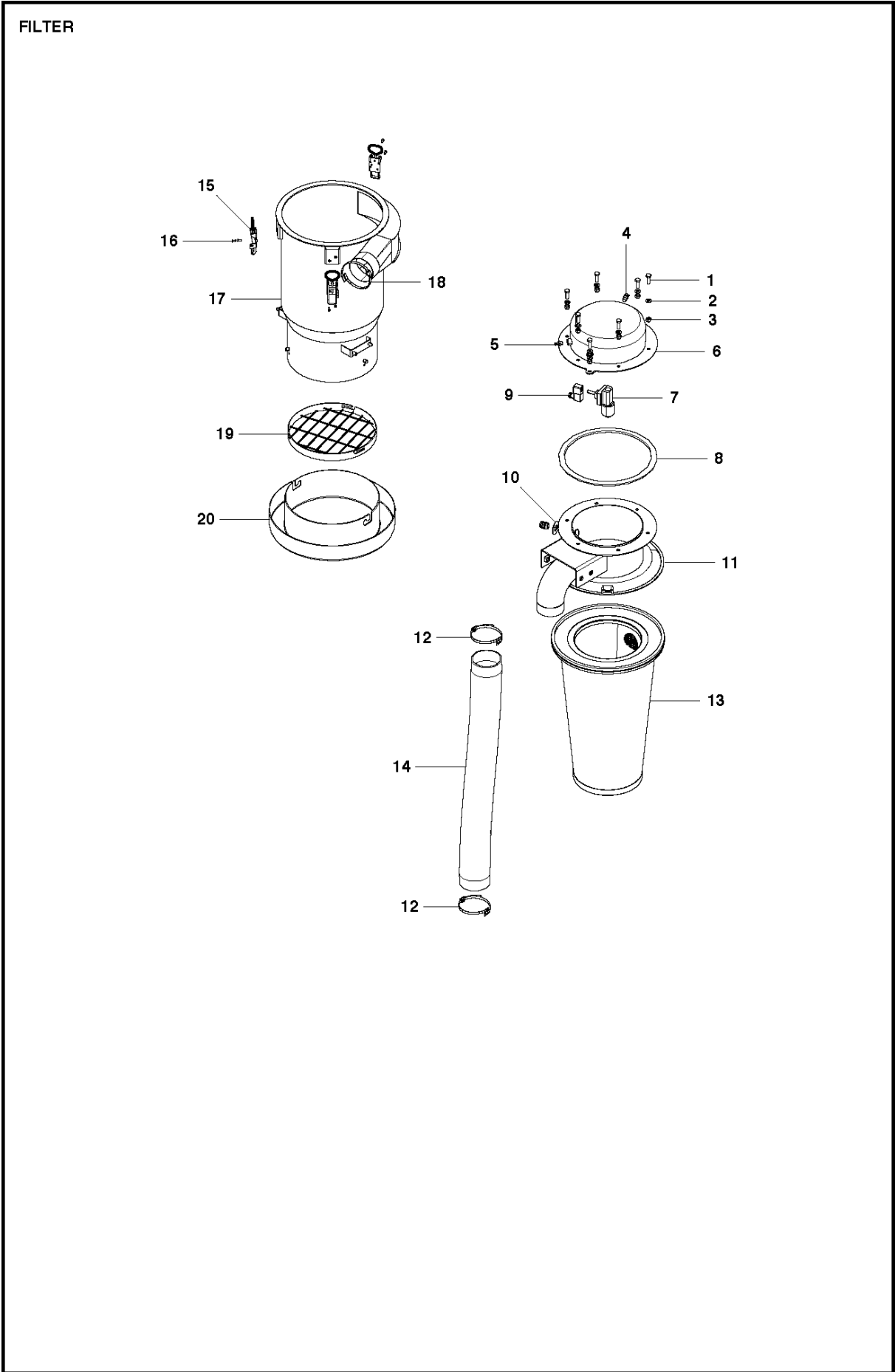
DC 6000, 2014-03



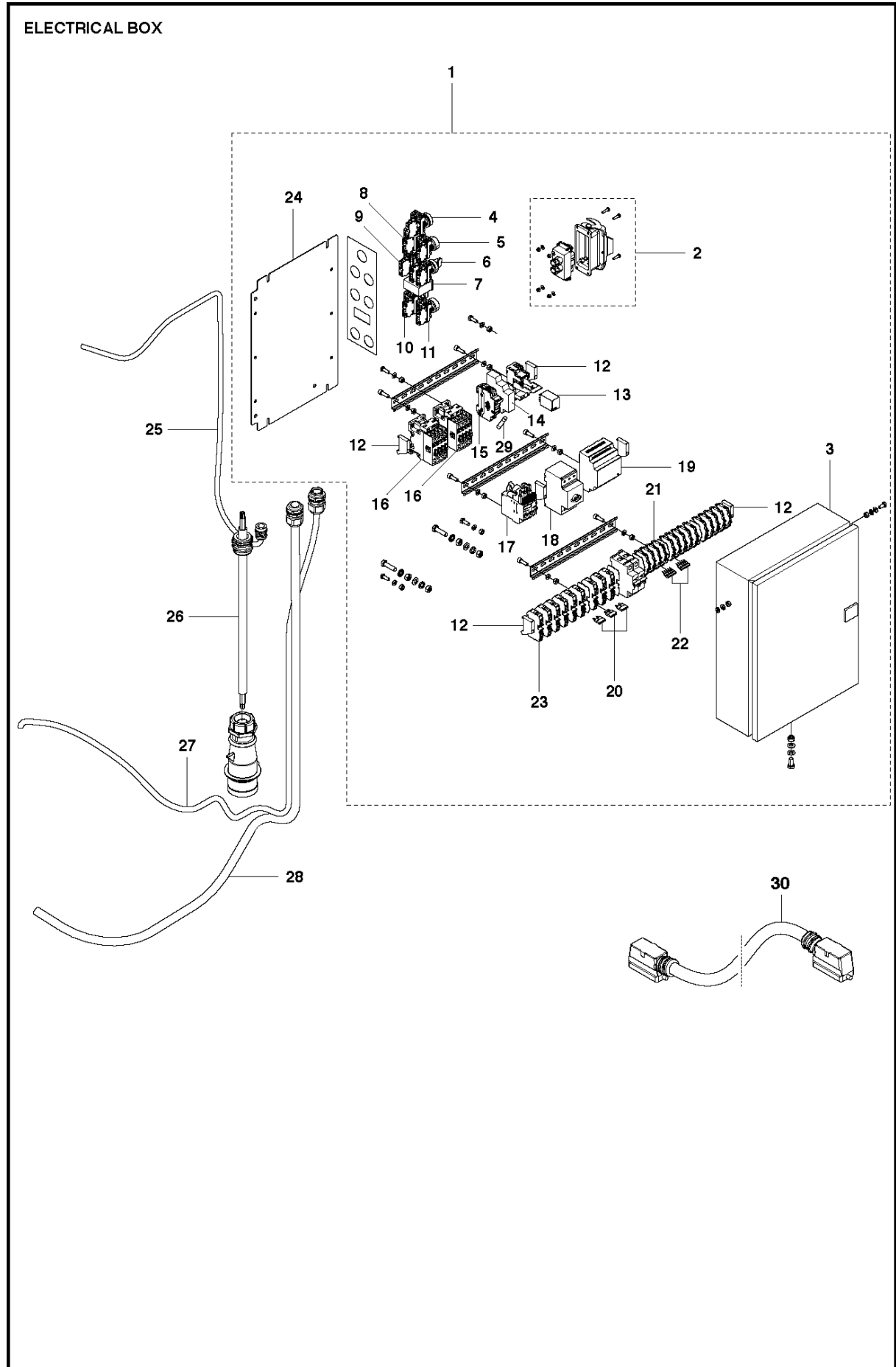
ACCESSORIES

DC 6000, 2014-03

Ref	Part No	Description	Remark	QTY	KIT
1	585 87 09-01	TOOL		1	
2	586 73 16-01	CABLE ASSY	Adapter 32A --> 16A	1	
3	510 27 85-01	TOOL		1	
4	521 91 21-01	STRIP		1	
5	525 58 46-01	HOSE KIT	"3"-hose"	1	
6	502 56 96-04	COUPLING		1	5
7	502 56 96-03	COUPLING		1	5
8	585 87 10-01	HOSE KIT	"2"-hose"	1	
9	502 56 98-03	HOSING		1	8
10	585 64 76-01	ADAPTER		1	8
11	502 56 96-05	HOSE CLAMP		1	
12	502 57 01-01	BAGS		1	
13	584 65 02-01	BAG		1	
14	586 67 16-01	TIE STRAP		1	
15	584 61 87-01	STRAP		1	



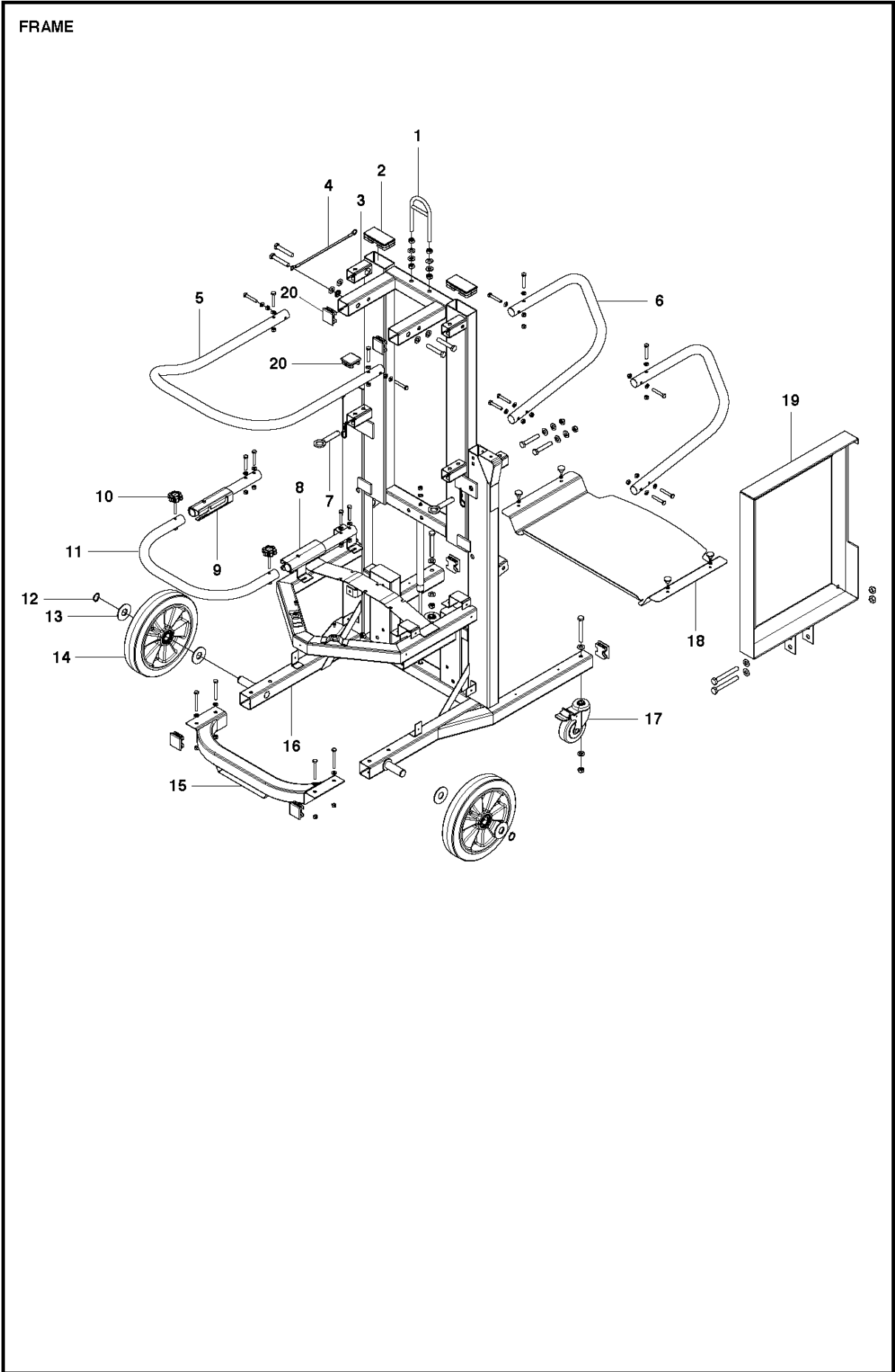
Ref	Part No	Description	Remark	QTY KIT
1	725 24 95-71	SCREW EHHM		7
2	734 11 72-01	WASHER		7
3	732 25 20-01	HEXAGON LOCKING NUT		7
4	583 95 81-01	VALVE		1
5	584 14 73-01	CONNECTION		1
6	583 92 10-01	PRESSURE CHAMBER		1
7	583 95 80-01	VALVE		1
8	504 76 22-01	SEAL		1
9	585 66 04-01	CONNECTOR		1
10	525 57 03-01	GROMMET		1
11	583 94 48-01	FILTER		1
12	584 46 94-01	HOSE CLAMP		2
13	583 95 78-01	FILTER		1
14	584 46 95-02	HOSE		1
15	502 57 00-02	LATCH		1
16	724 33 29-51	SCREW CRCSFM		1
17	583 92 12-01	TUBE		1
18	584 46 94-01	HOSE CLAMP		1
19	583 88 67-01	NET		1
20	583 87 62-01	HOLDER		1



ELECTRIC BOX

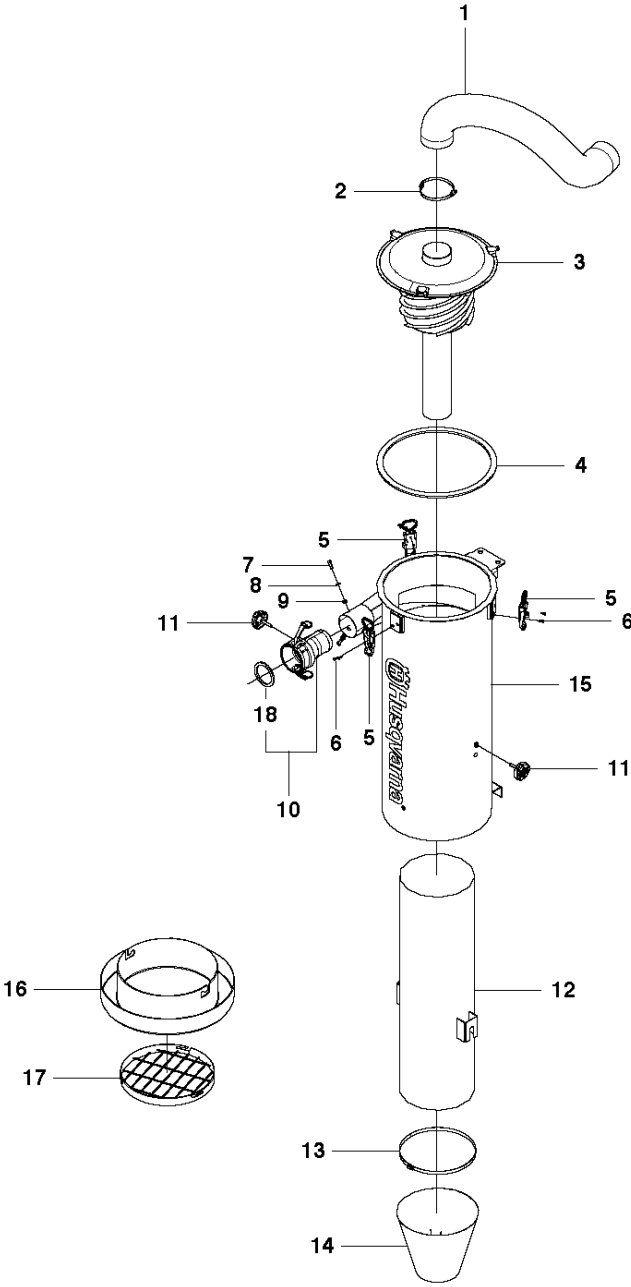
DC 6000, 2014-03

Ref	Part No	Description	Remark	QTY KIT
1	585 15 18-01	ELECTRONIC BOX		1
2	586 74 02-01	CONNECTOR		1
3	586 46 66-01	ELECTRONIC BOX		1
4	586 74 13-01	LAMP		1
5	586 87 70-01	PUSH BUTTON		1
6	586 87 71-01	SWITCH		1
7	584 29 63-01	HOUR METER		1
8	586 87 72-01	PUSH BUTTON		1
9	586 74 20-01	LAMP		1
10	586 87 80-01	SWITCH		1
11	586 87 82-01	PUSH BUTTON		1
12	504 73 99-01	CLAMP		1
13	584 29 73-01	RELAY		1
14	585 62 28-01	RELAY		1
15	585 62 29-01	FUSE HOLDER		1
16	585 65 36-01	CONTACTOR		2
17	584 29 78-01	RELAY		1
18	586 07 97-01	PROTECTION		1
19	581 92 23-01	CONTROL UNIT		1
20	585 61 33-01	TERMINAL BLOCK		1
21	585 61 35-01	TERMINAL BLOCK		14
22	585 61 37-01	TERMINAL BLOCK		1
23	585 61 31-01	TERMINAL BLOCK		9
24	585 87 54-01	PLATE	-01 EU/AUS / -02 UL/CSA	1
25	586 22 48-01	CABLE ASSY	-01 EU / -02 AUS / -03 UL/CSA	1
26	586 22 31-01	CABLE ASSY	-01 EU/AUS / -02 UL/CSA	1
27	586 22 35-01	CABLE ASSY	-01 EU/AUS / -02 UL/CSA	1
28	586 22 32-01	CABLE ASSY		1
29	585 66 03-01	FUSE		1
30	575 31 55-01	EXTENSION LEAD	CE	1
30	575 31 55-02	EXTENSION LEAD	UL	1
30	577 20 58-01	EXTENSION LEAD	JP	1



Ref	Part No	Description	Remark	QTY KIT
1	585 99 23-01	LOOP		1
2	504 75 31-01	HUB CAP		1
3	583 86 62-01	FRAME		1
4	586 73 14-01	CABLE ASSY		1
5	583 86 70-01	PIPE		1
6	583 86 79-01	PIPE		1
7	583 96 78-01	PEN		1
8	584 15 72-02	BRACKET		1
9	584 15 72-01	BRACKET		1
10	585 22 81-01	KNOB		1
11	583 86 72-01	PIPE		1
12	735 31 26-00	CIRCLIP		1
13	504 75 14-01	WASHER		1
14	502 54 50-01	WHEEL		1
15	586 04 30-01	TUBE		1
16	583 86 63-01	FRAME		1
17	502 56 91-01	WHEEL		1
18	583 90 79-01	SHEET		1
19	585 20 16-01	FRAME		1
20	504 75 97-01	HUB CAP		2

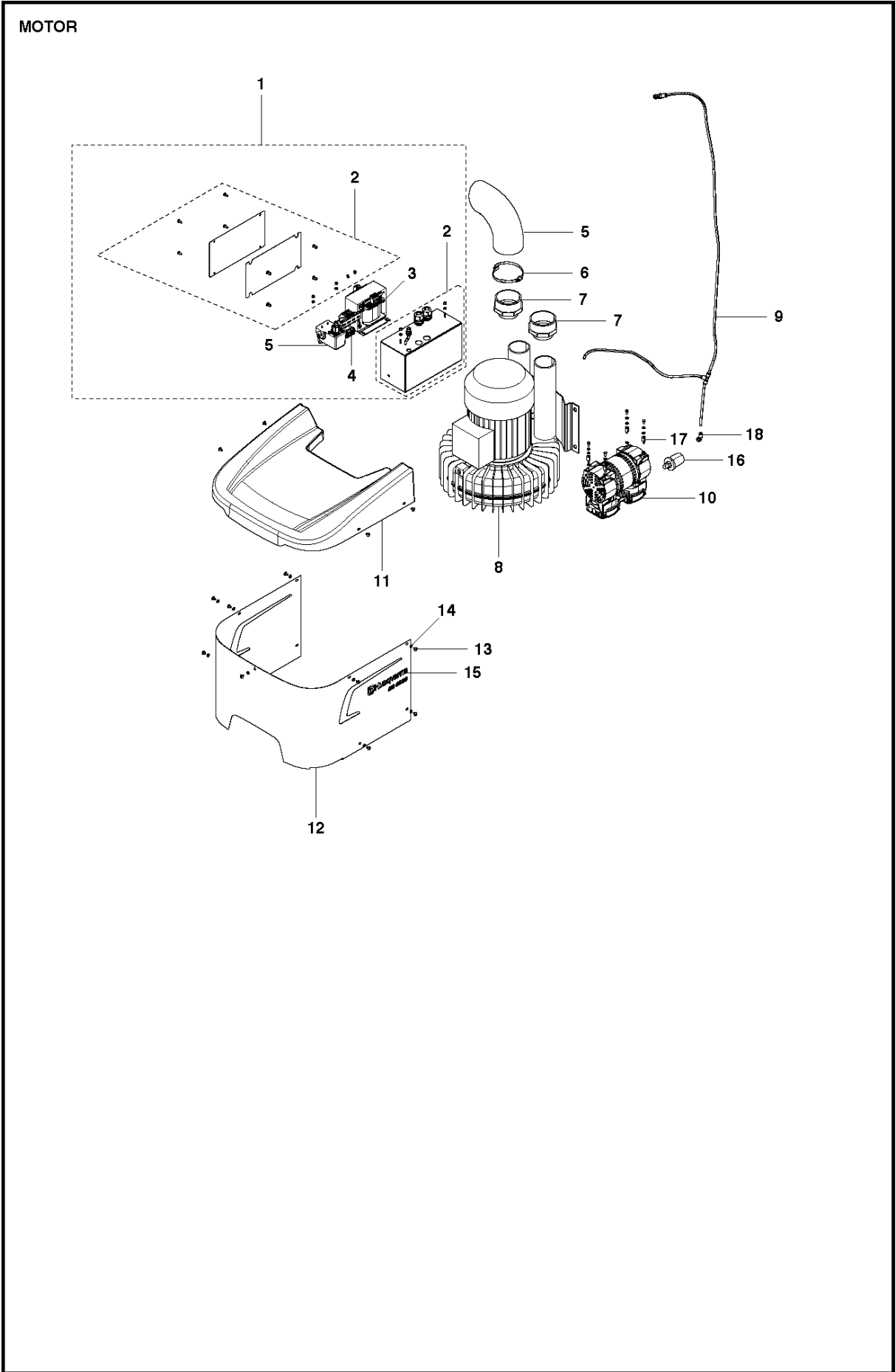
CYKLON



HOUSING

DC 6000, 2014-03

Ref	Part No	Description	Remark	QTY	KIT
1	584 46 95-03	HOSE		1	
2	584 46 94-01	HOSE CLAMP		1	
3	581 56 64-01	FILTER		1	
4	504 76 22-01	SEAL		1	
5	502 57 00-02	LATCH		3	
6	724 33 29-51	SCREW CRCSFM		6	
7	504 75 02-02	SCREW IHPANM		2	
8	734 11 63-60	WASHER		2	
9	586 58 83-01	CAP NUT		2	
10	502 56 96-04	COUPLING		1	
11	504 56 93-01	TURNING KNOB		2	
12	583 92 61-01	TUBE		1	
13	583 88 65-01	HOSE CLAMP		1	
14	583 88 63-01	TUBE		1	
15	583 88 75-01	FILTER		1	
16	583 87 62-01	HOLDER		1	
17	583 88 67-01	NET		1	
18	502 53 40-05	RUBBER RING		1	10



MOTOR

DC 6000, 2014-03

Ref	Part No	Description	Remark	QTY	KIT
1	586 06 91-01	ELECTRONIC BOX		1	
1	586 06 91-02	ELECTRONIC BOX		1	
2	586 72 87-01	ELECTRONIC BOX		1	
3	584 29 76-01	TRANSFORMER	CE/AUS	1	
3	584 29 76-02	TRANSFORMER	UL/CSA	1	
4	586 12 81-01	CAPACITOR		1	1
5	584 29 86-01	SWITCH		1	1
6	584 46 94-01	HOSE CLAMP		1	
7	584 41 07-01	ADAPTER		2	
8	583 84 36-01	MOTOR	CE/AUS	1	
8	583 84 37-02	MOTOR	UL/CSA	1	
9	586 73 22-01	HOSE KIT		1	
10	584 29 85-01	MOTOR		1	
11	583 89 08-01	COVER		1	
12	583 90 01-01	SHEET		1	
13	535 42 58-01	SCREW IHANM		1	
14	734 11 52-60	WASHER		1	
15	577 46 90-01	DECAL		1	
16	584 44 33-01	FILTER		1	
17	584 43 89-01	DISTANCE		1	
18	586 06 85-01	CONNECTION		1	