

## DC3300

Reservdelar

Spare parts

Ersatzteile

Pieces de rechange

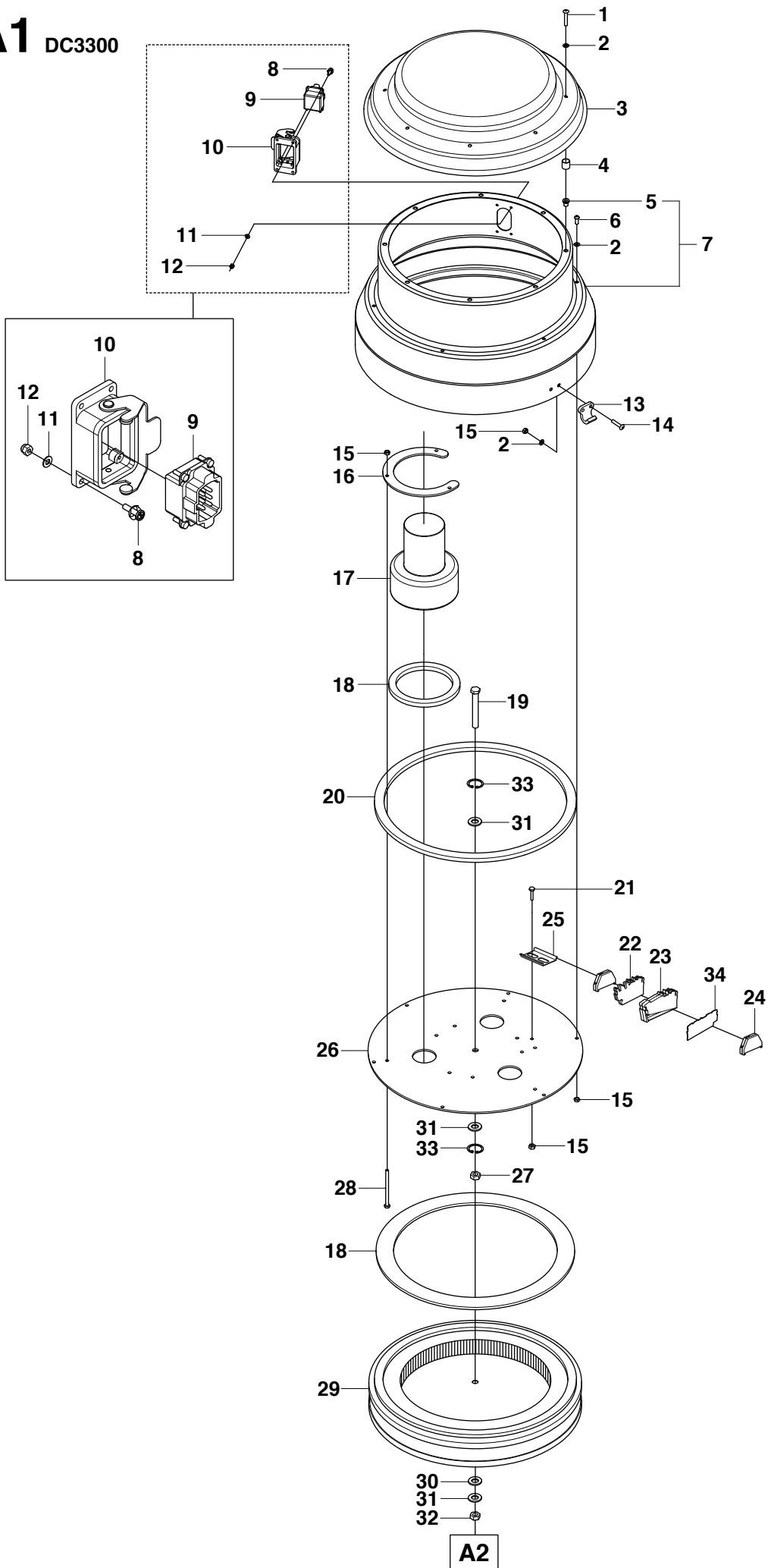
Piezas de repuesto

Ricambi

Peças sobresselente

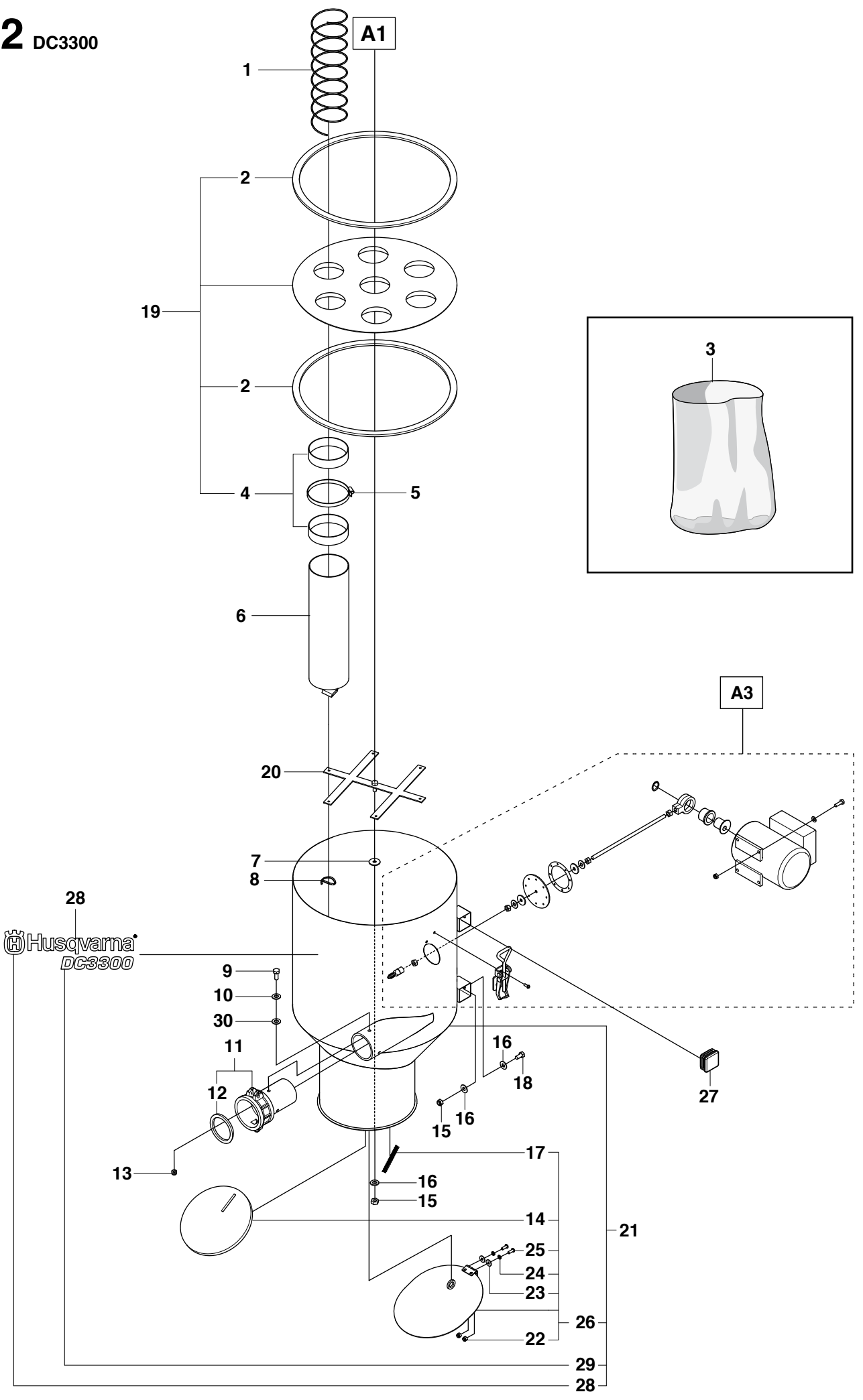
No.	Pos.	Description	No.	Pos.	Description
502 53 40-05	A2	RUBBER RING	522 89 77-01	B	TERMINAL BLOCK
502 54 50-01	A3	WHEEL	525 48 87-01	A2	DC00 DECAL
502 56 83-01	A1	SEAL	525 48 88-02	A2	HUSQVARNA DECAL
502 56 84-04	A2	SPRING	525 48 93-01	B	DECAL
502 56 84-05	A2	SEAL	541 40 51-78	A2, A3	SCREW
502 56 87-01	A1, A2, B	SEAL	543 85 00-17	A2	TIE STRAP
502 56 91-01	A3	CASTOR WHEEL	574 03 53-01	B	CIRCUIT BREAKER
502 56 96-04	A2	COUPLING	574 30 67-01	B	PLUG MALE AU
502 57 00-02	A3	LATCH	574 62 03-01	A2	DUST FLAP
502 57 00-04	A1	HOOK	575 34 39-01	A2	CYCLONE
502 57 01-01	A2	COLLECTION BAG 1 200 PCS	575 63 13-01	A3	ELECTRIC BOX CE
502 57 02-01	A3	STRAP	575 63 13-02	A3	ELECTRIC BOX AU
502 57 06-01	A3	MOTOR	575 63 13-03	A3	ELECTRIC BOX CH
502 57 13-01	A3	DIAPHRAGM	575 63 14-01	A3	ELECTRIC BOX UL
502 57 14-01	A3	RING	575 63 15-01	A3	CHASSIS
502 57 15-01	A3	ROD	575 63 21-01	B	CABLE
502 57 16-01	A3	ROD END SWIVEL	575 63 21-02	B	CABLE, UL
502 57 17-01	A3	BOSS	575 63 25-01	B	ELECTRIC BOX
502 57 18-01	A3	COUPLING	575 63 25-02	B	ELECTRIC BOX, UL
502 57 19-01	A3	BUSHING	575 63 26-01	B	LID ASSY
502 57 20-01	A1	COVER	575 63 27-01	B	PLUG AND CABLE MALE UL
502 57 23-01	A1	HOUSING	575 63 31-01	B	EXTENSION LEAD, UL
502 57 24-01	A1	PLATE	578 35 07-01	B	CIRCUIT BREAKER, UL
502 57 25-01	A1	BRACKET	581 23 73-01	B	MOTOR CABLE
502 57 27-01	A3	HANDLE BAR	581 23 73-02	B	MOTOR CABLE, UL
502 57 30-01	A2	FILTER	724 12 93-51	A1, B	SCREW
502 57 32-01	A1	FILTER	724 33 70-51	A3	SCREW
504 73 06-02	A3	BUSHING KIT	725 23 29-71	A3	SCREW
504 73 09-02	A2	PLATE	725 23 66-71	A1	SCREW
504 73 35-02	A2	RACK	725 23 72-71	A3	SCREW
504 73 86-01	B	SWITCH	725 23 88-51	A1	SCREW
504 73 87-01	B	BUTTON BODY	725 24 93-76	A2	SCREW
504 73 88-01	B	PUSH BUTTON	725 25 40-71	A3	SCREW
504 73 89-01	B	BUTTON BODY	725 25 54-71	A1	SCREW
504 73 99-01	A1, B	CLAMP	728 53 27-01	A3	SCREW
504 74 90-01	B	EMI FILTER	731 23 20-01	A3	NUT
504 75 02-01	A2	SCREW	731 23 22-01	A1	NUT
504 75 03-01	B	PLUG MALE CH	732 25 12-01	A1, B	NUT
504 75 14-01	A3	WASHER	732 25 14-01	A3	NUT
504 75 16-01	B	PLUG MALE CE	732 25 16-01	A1, A2, A3, B	NUT
504 75 64-01	A1	MOTOR	732 25 18-01	A3, B	NUT
504 75 73-01	A1	TERMINAL BLOCK	732 25 20-01	A2	NUT
504 75 89-01	A1	SCREW	732 25 22-01	A1, A3	NUT
504 75 90-01	A1, A3	SCREW	734 11 36-01	A1, B	WASHER
504 75 91-01	A1, B	SCREW	734 11 52-01	A1, A3, B	WASHER
504 75 97-01	A2, A3	CAP	734 11 54-41	A2, A3, B	WASHER
510 43 17-01	B	CABLE GLAND	734 11 63-01	A2	WASHER
510 43 18-01	B	COUNTER NUT	734 11 63-60	A2	WASHER
516 06 01-01	A1, A2, A3	WASHER	734 11 72-01	A2	WASHER
516 06 04-01	A1	HOUSING	734 11 74-41	A3	WASHER
516 06 05-01	B	CONNECTOR FEMALE	734 11 78-01	A3	WASHER
516 06 06-01	B	HOUSING	734 11 80-41	A1	WASHER
516 06 07-01	B	CONNECTOR FEMALE	735 11 53-01	A2	SPRING WASHER
516 06 11-01	B	DIN RAIL	735 11 78-01	A1	WASHER
516 06 12-01	B	CABLE GLAND UL	735 21 53-01	B	WASHER
516 06 13-01	B	HOOD	735 31 26-00	A3	CIRCLIP
516 06 14-01	A1	CONNECTOR MALE	735 31 30-00	A3	CIRCLIP
516 06 18-01	B	CABLE GLAND			
521 88 66-01	A1, A3	RIVET			
522 66 03-01	B	CABLE GLAND			
522 74 66-01	A1	TUBE			
522 74 69-01	A1, B	TERMINAL BLOCK			
522 74 70-01	A1	RAIL			
522 74 72-01	A2	SPRING			
522 74 74-01	A2	SEAL KIT			
522 74 75-01	A2	HOSE CLAMP			
522 86 89-01	A1	COVER PLATE			
522 86 89-02	B	COVER PLATE			

# A1 DC3300



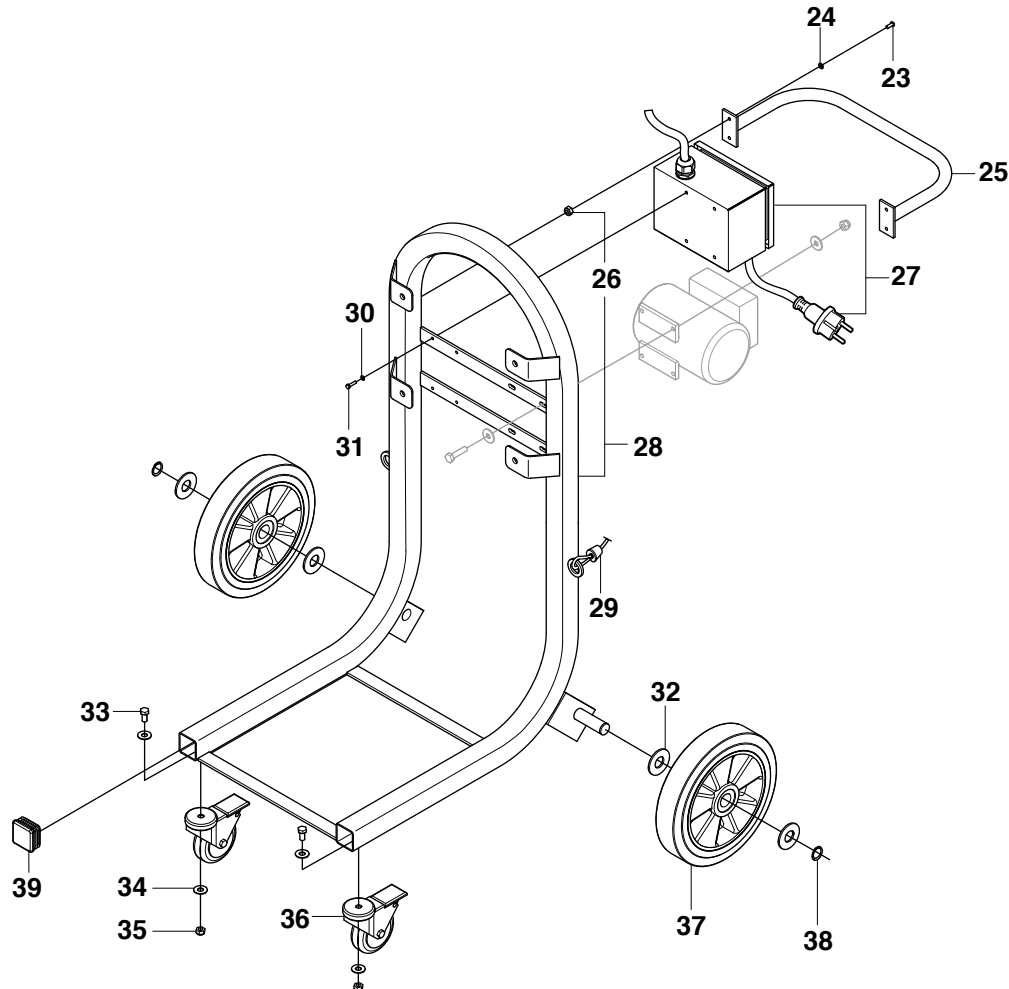
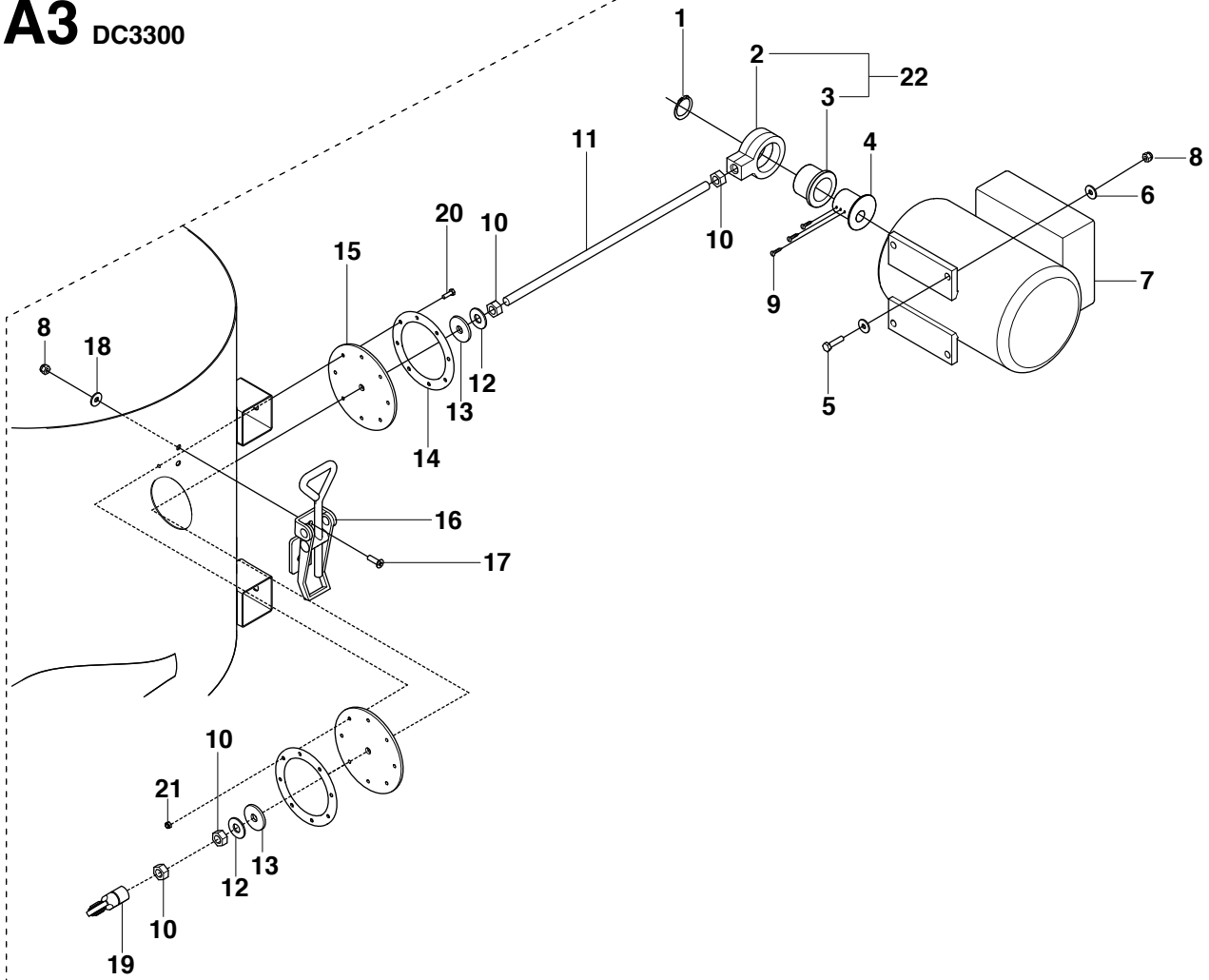
Pos	Part no.	Description	Quantity	Notes
1	504 75 91-01	SCREW	8	
2	734 11 52-01	WASHER	18	
3	502 57 20-01	COVER	1	
4	522 74 66-01	TUBE	8	
5	521 88 66-01	RIVET	8	
6	504 75 89-01	SCREW	6	
7	502 57 23-01	HOUSING	1	
8	724 12 93-51	SCREW	4	
9	516 06 14-01	CONNECTOR MALE	1	
10	516 06 04-01	HOUSING	1	
11	734 11 36-01	WASHER	4	
12	732 25 12-01	NUT	4	
13	502 57 00-04	HOOK	2	
14	504 75 90-01	SCREW	4	
15	732 25 16-01	NUT	21	
16	502 57 25-01	BRACKET	3	
17	504 75 64-01	MOTOR	3	
18	502 56 83-01	SEAL	2	
19	725 25 54-71	SCREW	1	
20	502 56 87-01	SEAL	1	
21	725 23 66-71	SCREW	2	
22	504 75 73-01	TERMINAL BLOCK	1	
23	522 74 69-01	TERMINAL BLOCK	2	
24	504 73 99-01	CLAMP	2	
25	522 74 70-01	RAIL	1	
26	502 57 24-01	PLATE	1	
27	731 23 22-01	NUT	1	
28	725 23 88-51	SCREW	9	
29	502 57 32-01	FILTER	1	
30	516 06 01-01	WASHER	1	
31	734 11 80-41	WASHER	3	
32	732 25 22-01	NUT	1	
33	735 11 78-01	WASHER	2	
34	522 86 89-01	COVER PLATE	1	

# A2 DC3300



Pos	Part no.	Description	Quantity	Notes
1	522 74 72-01	SPRING	7	
2	502 56 87-01	SEAL	2	
3	502 57 01-01	COLLECTION BAG	1	200 PCS
4	522 74 74-01	SEAL KIT	1	
5	522 74 75-01	HOSE CLAMP	7	
6	502 57 30-01	FILTER	7	
7	516 06 01-01	WASHER	1	
8	543 85 00-17	TIE STRAP	8	
9	504 75 02-01	SCREW	2	
10	734 11 63-01	WASHER	2	
11	502 56 96-04	COUPLING	1	
12	502 53 40-05	RUBBER RING	1	
13	732 25 18-01	NUT	2	
14	502 56 84-05	SEAL	1	
15	732 25 20-01	NUT	5	
16	734 11 72-01	WASHER	9	
17	502 56 84-04	SPRING	1	
18	725 24 93-76	SCREW	4	
19	504 73 09-02	PLATE	1	
20	504 73 35-02	RACK	1	
21	575 34 39-01	CYCLONE	1	
22	732 25 16-01	NUT	2	
23	734 11 54-41	WASHER	2	
24	735 11 53-01	SPRING WASHER	2	
25	541 40 51-78	SCREW	2	
26	574 62 03-01	DUST FLAP	1	
27	504 75 97-01	CAP	4	
28	525 48 88-02	HUSQVARNA DECAL	1	
29	525 48 87-01	DC3300 DECAL	1	
30	734 11 63-60	WASHER	2	

# A3 DC3300



Pos	Part no.	Description	Quantity	Notes
1	735 31 30-00	CIRCLIP	1	
2	502 57 18-01	COUPLING	1	
3	502 57 19-01	BUSHING	1	
4	502 57 17-01	BOSS	1	
5	725 23 72-71	SCREW	4	
6	734 11 54-41	WASHER	8	
7	502 57 06-01	MOTOR	1	
8	732 25 16-01	NUT	8	
9	728 53 27-01	SCREW	3	
10	731 23 20-01	NUT	4	
11	502 57 15-01	ROD	1	
12	734 11 74-41	WASHER	2	
13	516 06 01-01	WASHER	2	
14	502 57 14-01	RING	2	
15	502 57 13-01	DIAPHRAGM	2	
16	502 57 00-02	LATCH	2	
17	724 33 70-51	SCREW	4	
18	734 11 54-41	WASHER	4	
19	502 57 16-01	ROD END SWIVEL	1	
20	725 23 29-71	SCREW	8	
21	732 25 14-01	NUT	8	
22	504 73 06-02	BUSHING KIT	1	
23	504 75 90-01	SCREW	4	
24	734 11 52-01	WASHER	4	
25	502 57 27-01	HANDLE BAR	1	
26	521 88 66-01	RIVET	4	
27a	575 63 13-01	ELECTRIC BOX CE	1	
27b	575 63 13-02	ELECTRIC BOX AU	1	
27c	575 63 13-03	ELECTRIC BOX CH	1	
27d	575 63 14-01	ELECTRIC BOX UL	1	
28	575 63 15-01	CHASSIS	1	
29	502 57 02-01	STRAP	1	
30	734 11 54-41	WASHER	6	
31	541 40 51-78	SCREW	4	
32	504 75 14-01	WASHER	4	
33	725 25 40-71	SCREW	2	
34	734 11 78-01	WASHER	4	
35	732 25 22-01	NUT	2	
36	502 56 91-01	CASTOR WHEEL	2	
37	502 54 50-01	WHEEL	2	
38	735 31 26-00	CIRCLIP	2	
39	504 75 97-01	CAP	2	





Pos	Part no.	Description	Quantity	Notes
1	516 06 05-01	CONNECTOR FEMALE	1	
2	516 06 13-01	HOOD	1	
3a	575 63 21-01	CABLE	1	
3b	575 63 21-02	CABLE, UL	1	
4a	575 63 25-01	ELECTRIC BOX	1	
4b	575 63 25-02	ELECTRIC BOX, UL	1	
5a	516 06 18-01	CABLE GLAND	1	
5b	516 06 12-01	CABLE GLAND UL	1	
6	735 21 53-01	WASHER	4 (CE),5 (UL)	
7	734 11 52-01	WASHER	3	
8	732 25 16-01	NUT	5	
9	575 63 26-01	LID ASSY	1	
10	504 75 91-01	SCREW	4	
11	522 66 03-01	CABLE GLAND	1	
12	510 43 18-01	COUNTER NUT	1	
13	510 43 17-01	CABLE GLAND	1	
14	734 11 54-41	WASHER	2	
15	516 06 11-01	DIN RAIL	1	
16	504 74 90-01	EMI FILTER	1	
17	734 11 36-01	WASHER	2 (CE), 4 (UL)	
18	732 25 12-01	NUT	2 (CE), 4 (UL)	
19a	574 03 53-01	CIRCUIT BREAKER	1	
19b	578 35 07-01	CIRCUIT BREAKER, UL	1	
20	522 74 69-01	TERMINAL BLOCK	2	
21	504 73 89-01	BUTTON BODY	1	
22	504 73 87-01	BUTTON BODY	1	
23	504 73 99-01	END CLAMP	2	
24	502 56 87-01	SEAL	1	
25	525 48 93-01	DECAL	1	
26	504 73 88-01	PUSH BUTTON	1	
27	504 73 86-01	SWITCH	1	
28a	504 75 16-01	PLUG MALE CE	1	
28b	574 30 67-01	PLUG MALE AU	1	
28c	504 75 03-01	PLUG MALE CH	1	
28d	575 63 27-01	PLUG AND CABLE MALE UL	1	
29	516 06 06-01	HOUSING	1	
30	724 12 93-51	SCREW	4	
31	516 06 07-01	CONNECTOR FEMALE	1	
32	522 86 89-02	COVER PLATE	1	
33	522 89 77-01	TERMINAL BLOCK	2	
34	575 63 31-01	EXTENSION LEAD, UL	1	
35a	581 23 73-01	MOTOR CABLE	1	
35b	581 23 73-02	MOTOR CABLE, UL	1	