

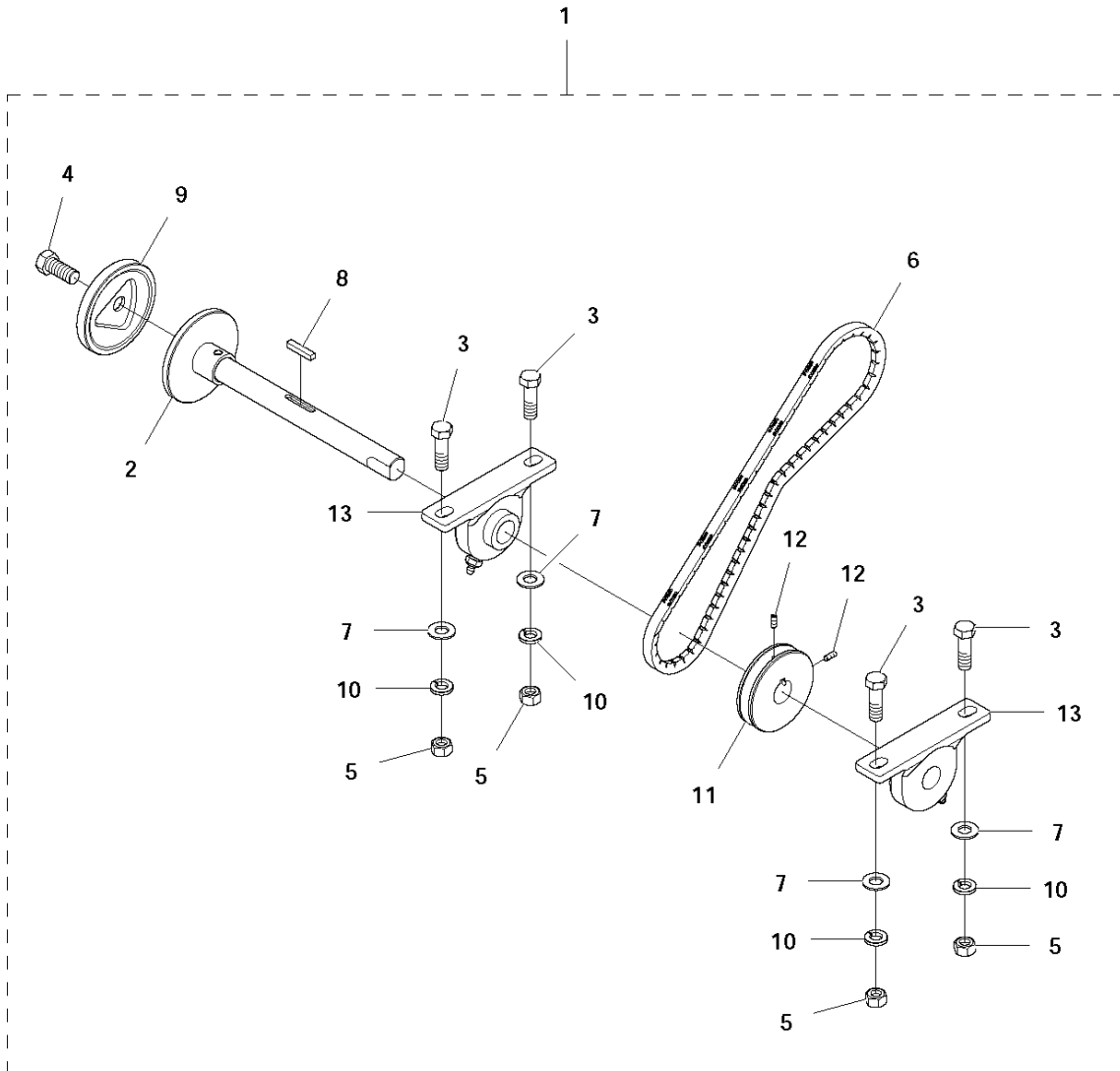


SPARE PARTS LIST

EARLY ENTRY SAWS

Soff-Cut 150 D, Valid from machine 2010
3000001, 2010-10

B Soff-Cut 150 D
BLADE SHAFT ASSEMBLY

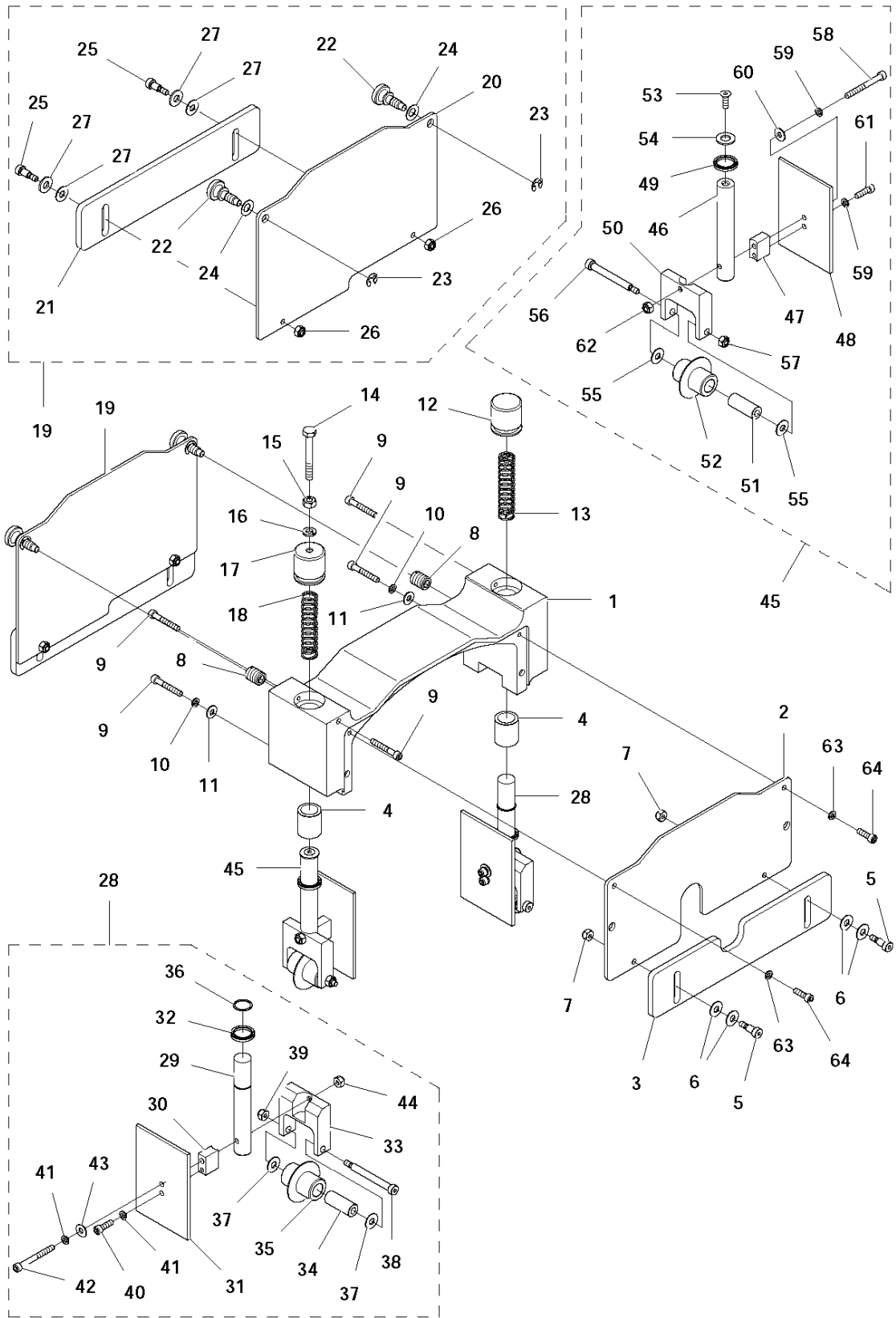


BLADE ARM

Soff-Cut 150 D, Valid from machine 2010 3000001, 2010-10

Ref	Part No	Description	Remark	QTY	KIT
1	510 27 22-11	ASSEMBLY		1	
2	505 58 84-01	BLADE SHAFT		1	1
3	505 72 76-01	HEX BOLT 3/8-16X1 1/4 CAD GR 5		4	1
4	505 57 34-01	BOLT		1	1
5	505 73 21-01	NUT		4	1
6	505 59 21-01	BELT. BLADE 3VX280		1	1
7	505 72 46-01	FLAT WASH 3/8 STL CAD		4	1
8	510 31 73-01	KEY		1	1
9	505 49 15-02	WASHER		1	1
10	505 73 10-01	LK WASH 3/8 SPLIT SS		4	1
11	505 59 32-01	1/3V265JA SHEAVE		1	1
12	505 63 01-01	SET SCREW S.S. 10-32 X 1/2		2	1
13	505 59 20-01	BLADE SHAFT BEARINGS FOR X150		2	1

D Soff-Cut 150 D
BLADE BLOCK ASSEMBLY

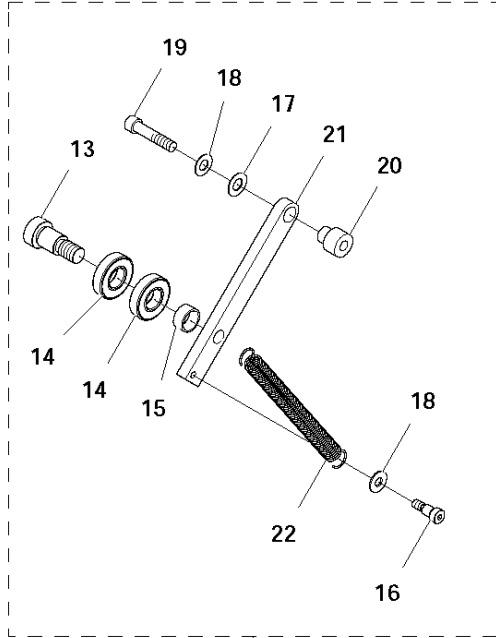


BLADE BLOCK

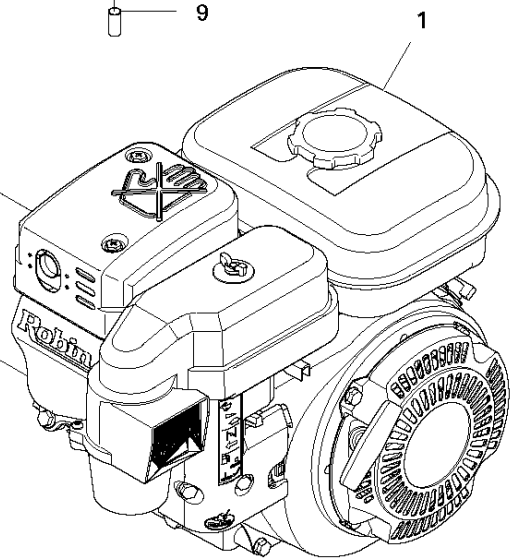
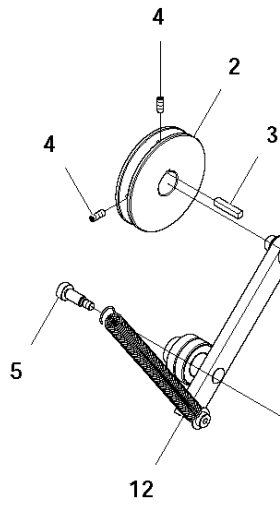
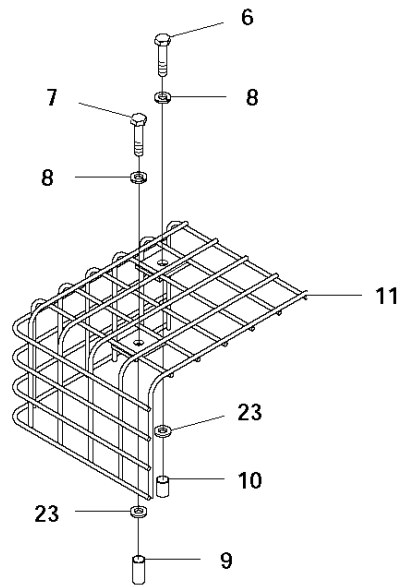
Soff-Cut 150 D, Valid from machine 2010 3000001, 2010-10

Ref	Part No	Description	Remark	QTY	KIT
1	505 59 01-01	HOUSING. BLADE X-150D		1	
2	505 58 76-01	REAR COVER. B.B. NEW		1	
3	505 58 79-01	LEXAN. INNER		1	
4	505 59 36-01	BRONZE BUSHING X150D		2	
5	505 68 64-01	SHSB 1/4 X 3/8 BLK STL		2	
6	505 63 44-01	FLAT WASHER .600 X .253 X .040		4	
7	505 63 04-01	NYLOC NUT #10-24 CAD.PL.		2	
8	505 74 83-01	THREADED INSERT S.S.		2	
9	505 59 14-01	SHC 10-32X1 1/4 S.S.		5	
10	505 63 31-01	LK WASH #10 SPLIT SS		2	
11	505 63 53-01	FLAT WASH #10 S.S		2	
12	505 59 08-01	CAP. BB REAR X150D		1	
13	505 59 30-01	SPRING		1	
14	505 72 81-01	HEX BOLT 1/4-20-2 S.S. ALL THR		1	
15	505 63 19-01	JAM NUT 1/4-20 STAINLESS STEEL		1	
16	505 63 28-01	LK WASH 1/4 SPLIT SS		1	
17	505 59 05-01	CAP. BB X150D V-BLADE		1	
18	505 59 31-01	SPRING		1	
19	574 23 49-11	ASSEMBLY		1	
20	505 58 74-01	FRONT COVER. B.B.		1	19
21	505 58 80-01	LEXAN. OUTER		1	19
22	505 53 63-01	KNOB		2	19
23	505 53 65-01	E-CLIP		2	19
24	505 53 64-01	WASHER		2	19
25	505 68 64-01	SHSB 1/4 X 3/8 BLK STL		2	19
26	505 63 04-01	NYLOC NUT #10-24 CAD.PL.		2	19
27	505 63 44-01	FLAT WASHER .600 X .253 X .040		4	19
28	505 87 66-01	X150D REAR B.B. ROD KIT		1	
29	505 59 04-01	SHAFT		1	28
30	505 58 97-01	SPACER		1	28
31	505 59 00-01	DIVERTER. FRONT SST		1	28
32	505 59 38-01	DUST SEAL X150D		1	28
33	505 58 96-01	BLOCK. GUIDE WHEEL MOUNT		1	28
34	505 59 37-01	BRONZE BUSHING 1/4 X 1/2 X 1 1		1	28
35	505 59 02-01	GUIDE WHEEL. V-BLADE 1/8" PILO		1	28
36	505 59 24-01	RETAINING RING. .625" ID		1	28
37	505 63 44-01	FLAT WASHER .600 X .253 X .040		2	28
38	505 77 12-01	SHSB 1/4 X 2		1	28
39	505 63 04-01	NYLOC NUT #10-24 CAD.PL.		1	28
40	505 72 97-01	SHC 10-32 X 5/8 S.S.		1	28
41	505 63 31-01	LK WASH #10 SPLIT SS		2	28
42	505 59 18-01	SHC 10-32 X 1 3/4		1	28
43	505 63 53-01	FLAT WASH #10 S.S		1	28
44	505 82 22-01	NYLOC NUT 10-32 S.S.		1	28
45	505 87 65-01	X150D FRONT B.B. ROD KIT		1	
46	505 59 03-01	SHAFT		1	45
47	505 58 97-01	SPACER		1	45
48	505 59 00-01	DIVERTER. FRONT SST		1	45
49	505 59 38-01	DUST SEAL X150D		1	45
50	505 58 96-01	BLOCK. GUIDE WHEEL MOUNT		1	45
51	505 59 37-01	BRONZE BUSHING 1/4 X 1/2 X 1 1		1	45
52	505 59 02-01	GUIDE WHEEL. V-BLADE 1/8" PILO		1	45
53	505 72 99-01	FHS 10-32-1/2 S.S.		1	45
54	734 11 54-41	WASHER		1	45
55	505 63 44-01	FLAT WASHER .600 X .253 X .040		2	45
56	505 77 12-01	SHSB 1/4 X 2		1	45
57	505 63 04-01	NYLOC NUT #10-24 CAD.PL.		1	45
58	505 59 18-01	SHC 10-32 X 1 3/4		1	45
59	505 63 31-01	LK WASH #10 SPLIT SS		2	45
60	505 63 53-01	FLAT WASH #10 S.S		1	45
61	505 82 22-01	NYLOC NUT 10-32 S.S.		1	45
62	505 72 97-01	SHC 10-32 X 5/8 S.S.		1	45
63	505 63 31-01	LK WASH #10 SPLIT SS		2	
64	505 72 97-01	SHC 10-32 X 5/8 S.S.		2	

A Soff-Cut 150 D
ENGINE ASSEMBLY



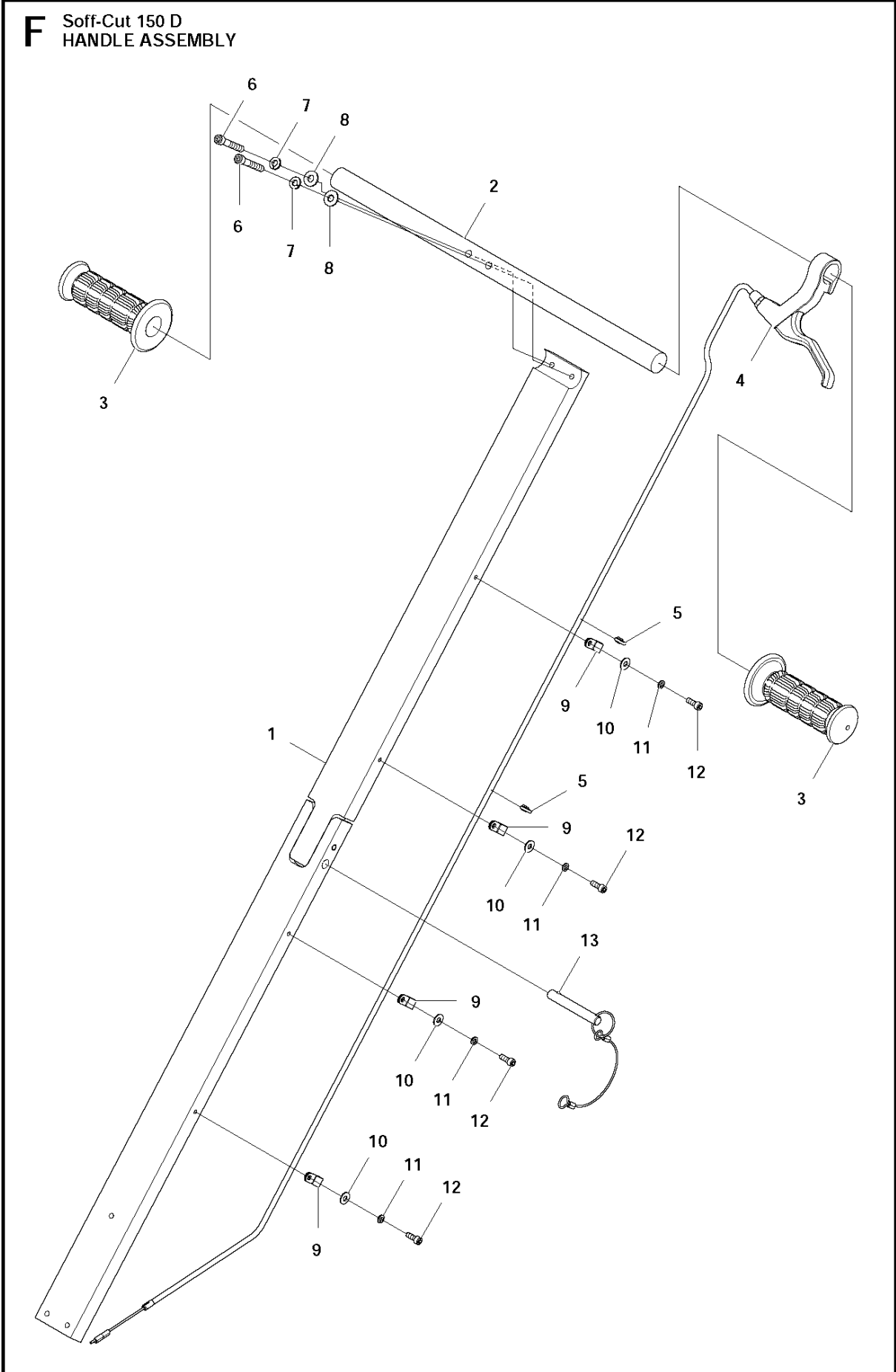
12



ENGINE

Soff-Cut 150 D, Valid from machine 2010 3000001, 2010-10

Ref	Part No	Description	Remark	QTY	KIT
1	505 59 39-01	X150 ENGINE		1	
2	505 59 33-01	1/3V315JA SHEAVE		1	
3	510 31 73-01	KEY		1	
4	505 63 01-01	SET SCREW S.S. 10-32 X 1/2		2	
5	505 59 15-01	SHSB M8 X 16		1	
6	725 23 74-71	SCREW EHHM		1	
7	725 23 76-71	SCREW EHHM		1	
8	505 63 28-01	LK WASH 1/4 SPLIT SS		2	
9	505 68 44-01	3/8 O.D. X .770 LONG X .028 WA		1	
10	510 34 61-01	SPACER. 5/16" ID X .500" L		1	
11	505 84 16-01	MUFFLER GUARD		1	
12	510 27 17-11	ASSEMBLY		1	
13	505 72 62-01	SHSB 5/8 X 3/4 BLK STL		1	12
14	505 73 60-01	IDLER PULLEYS BLK SEAL SGL LIP		2	12
15	505 71 46-02	SPACER		1	12
16	505 72 65-01	SHSB 5/16 X 3/8 BLK STL		1	12
17	505 63 45-01	FLAT WSHR .750X.379 X.031 DEL		1	12
18	505 72 52-01	.625 X .312 X .032 SS WASHER F		2	12
19	505 59 19-01	SHC 5/16-24 X 1 1/2 S.S.		1	12
20	505 58 90-01	SPACER		1	12
21	505 58 73-01	IDLER ARM		1	12
22	505 73 79-01	SPRING		1	12
23	505 63 20-01	FLAT WASHER 1/4 X .062 AN960C4		2	

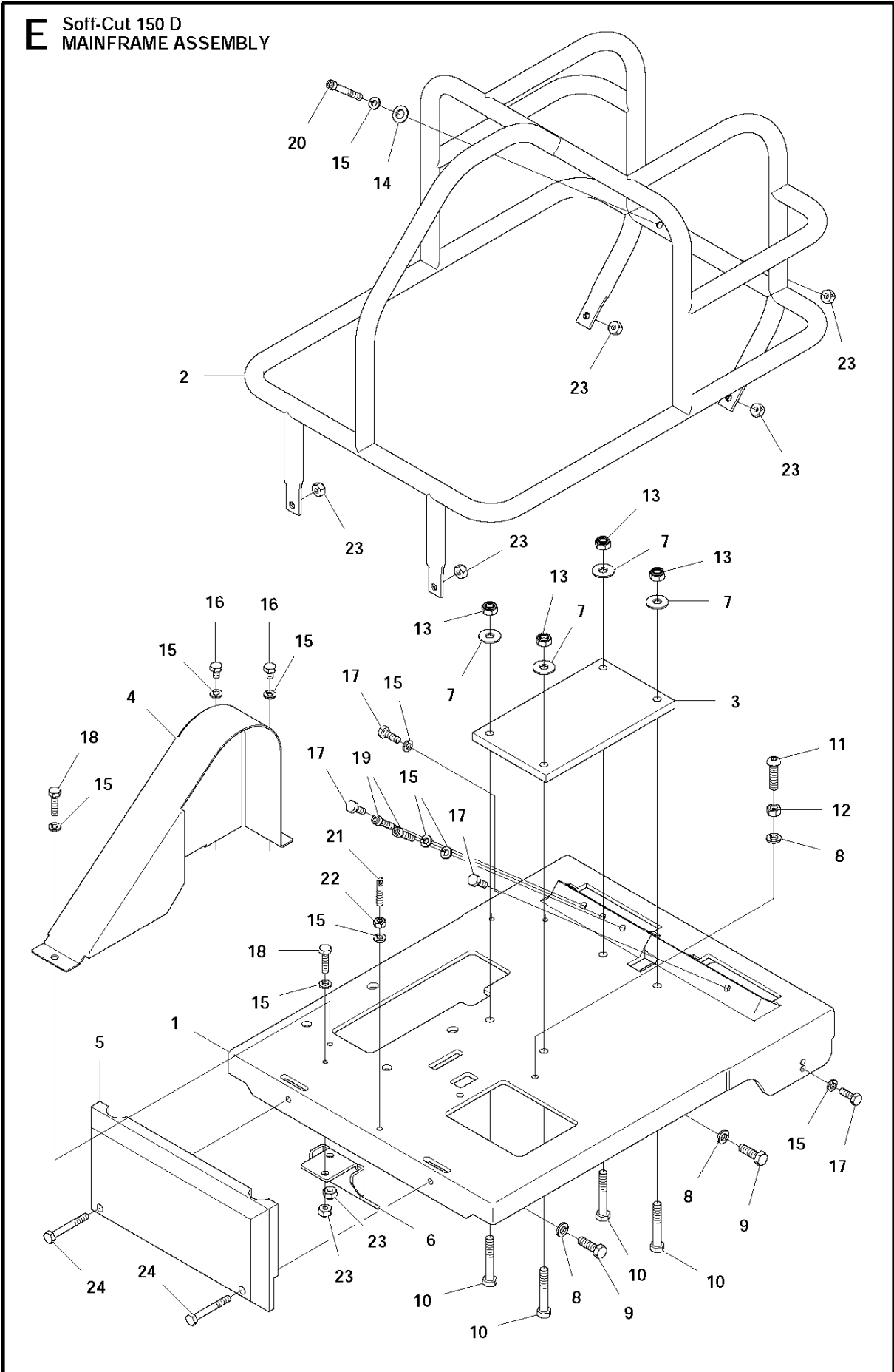


HANDLE

Soff-Cut 150 D, Valid from machine 2010 3000001, 2010-10

Ref	Part No	Description	Remark	QTY KIT
1	505 87 58-01	X150 HANDLES UPPER/LOWER		1
2	505 58 83-01	HANDLE TUBE		1
3	505 60 11-01	HANDLE GRIP		2
4	505 48 27-01	CABLE		1
5	510 33 17-01	TIE WRAP		2
6	505 72 88-01	SHC 1/4-20-1 1/2 S.S.		2
7	505 63 28-01	LK WASH 1/4 SPLIT SS		2
8	505 63 20-01	FLAT WASHER 1/4 X .062 AN960C4		2
9	587 05 74-01	CABLE CLAMP		4
10	505 63 53-01	FLAT WASH #10 S.S		4
11	505 63 31-01	LK WASH #10 SPLIT SS		4
12	505 72 97-01	SHC 10-32 X 5/8 S.S.		4
13	574 71 98-01	KIT		1

E Soff-Cut 150 D
MAINFRAME ASSEMBLY

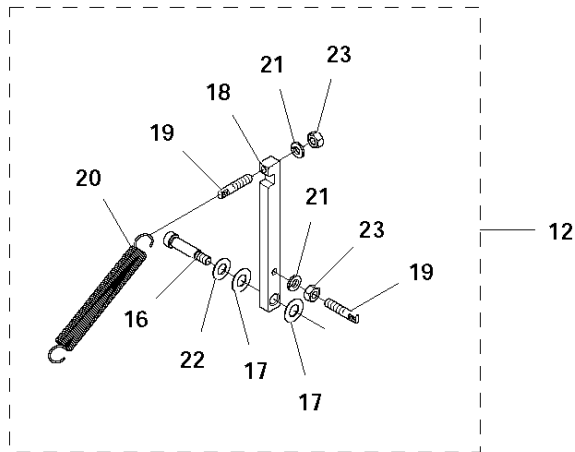
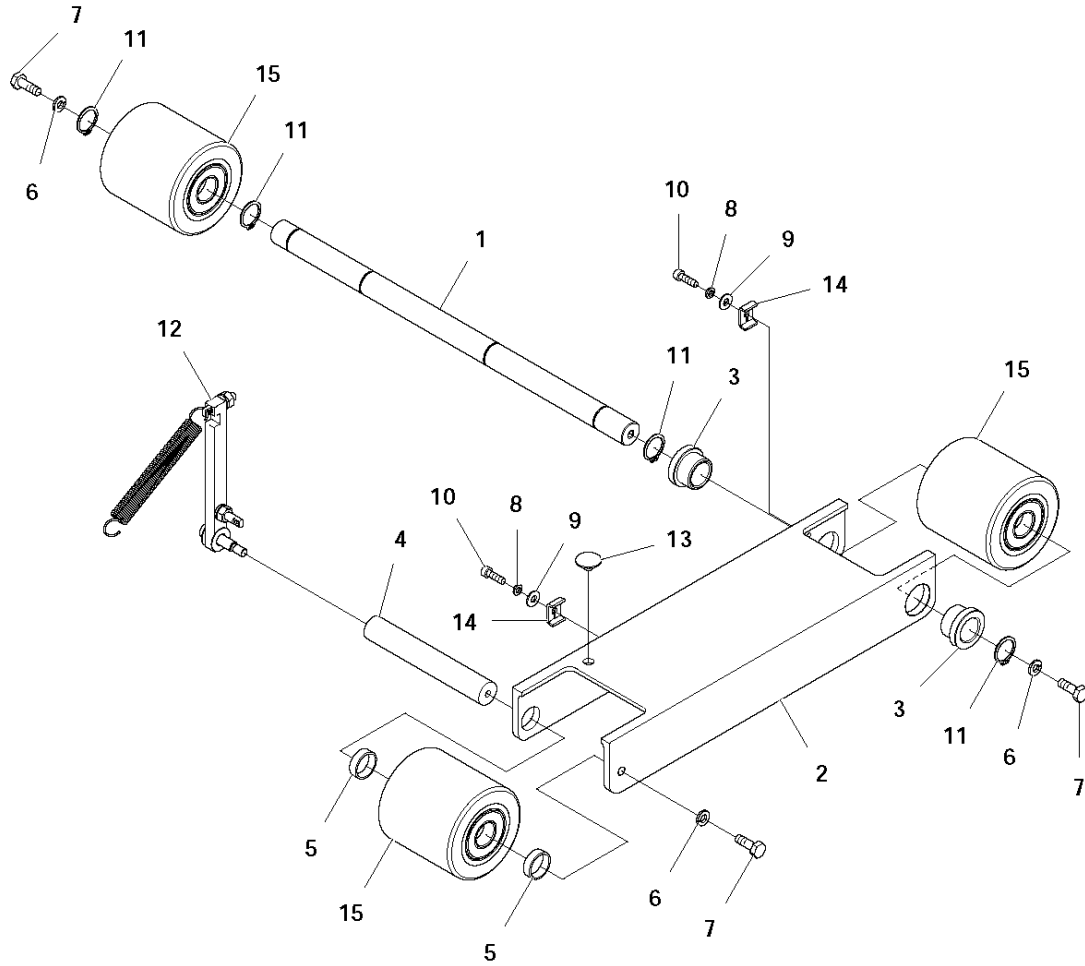


MAINFRAME

Soff-Cut 150 D, Valid from machine 2010 3000001, 2010-10

Ref	Part No	Description	Remark	QTY KIT
1	505 58 65-01	BOTTOM PLATE		1
2	505 58 66-01	ROLL CAGE		1
3	505 65 54-01	MOTOR BUSHING		1
4	505 60 13-01	BELT GUARD		1
5	505 58 98-01	PLATE. WEIGHT X-150D DECO SAW		1
6	505 58 95-01	PULLEY COVER		1
7	505 68 61-01	FLAT WASH 5/16 USS ENGINE/BIG		4
8	505 63 30-01	LK WASH 5/16 SPLIT SS		3
9	505 72 75-01	HEX BOLT 5/16-18-1 CAD GR 5		2
10	505 68 77-01	HEX BOLT 5/16-18 X 2 GRADE 8		4
11	505 62 97-01	BHS 5/16-18-1 1/4 S.S.		1
12	505 73 24-01	NUT		1
13	505 63 06-01	NYLOC NUT 5/16-18 CAD PL.		4
14	505 63 20-01	FLAT WASHER 1/4 X .062 AN960C4		2
15	505 63 28-01	LK WASH 1/4 SPLIT SS		10
16	505 62 73-01	HEX BOLT 1/4-20-3/8 S.S.		2
17	505 62 75-01	HEX BOLT 1/4-20-3/4 S.S.		4
18	505 72 73-01	HEX BOLT 1/4-20-1 STAINLESS ST		2
19	505 62 80-01	SHC 1/4-20-1 1/4 S.S.		2
20	505 72 89-01	SHC 1/4-20-2 S.S.		1
21	505 77 45-01	SPRING ANCHORS		1
22	505 63 19-01	JAM NUT 1/4-20 STAINLESS STEEL		2
23	505 63 05-01	NYLOC NUT 1/4-20 CAD PL.		5
24	505 72 81-01	HEX BOLT 1/4-20-2 S.S. ALL THR		2

C Soff-Cut 150 D
WHEEL CARRIAGE ASSEMBLY



WHEELS & TIRES

Soff-Cut 150 D, Valid from machine 2010 3000001, 2010-10

Ref	Part No	Description	Remark	QTY	KIT
1	505 58 67-01	REAR AXLE		1	
2	505 58 68-01	FRAME. FRONT WHEEL CARRIAGE		1	
3	505 58 69-01	BUSHING		2	
4	505 58 81-01	FRONT AXLE		1	
5	505 58 89-01	SPACER		2	
6	505 63 28-01	LK WASH 1/4 SPLIT SS		3	
7	505 62 75-01	HEX BOLT 1/4-20-3/4 S.S.		3	
8	505 63 31-01	LK WASH #10 SPLIT SS		2	
9	505 63 53-01	FLAT WASH #10 S.S		2	
10	505 72 97-01	SHC 10-32 X 5/8 S.S.		2	
11	505 73 35-01	SNAP RING		4	
12	510 27 27-11	ASSEMBLY		1	
13	505 62 53-01	S.S. BUTTON *****		1	
14	505 64 89-01	BOLT		2	
15	505 86 34-01	G1000 FRONT WHEEL		3	
16	505 72 67-01	SHSB 5/16 X 1 BLK STL		1	12
17	505 63 45-01	FLAT WSHR .750X.379 X.031 DEL		2	12
18	505 58 70-01	BLADE RELEASE LEVER		1	12
19	505 77 45-01	SPRING ANCHORS		2	12
20	505 73 79-01	SPRING		1	12
21	505 63 28-01	LK WASH 1/4 SPLIT SS		2	12
22	505 72 52-01	.625 X .312 X .032 SS WASHER F		1	12
23	505 63 19-01	JAM NUT 1/4-20 STAINLESS STEEL		2	12