

PP 480 HF

Reservdelar

Spare parts

Ersatzteile

Pieces de rechange

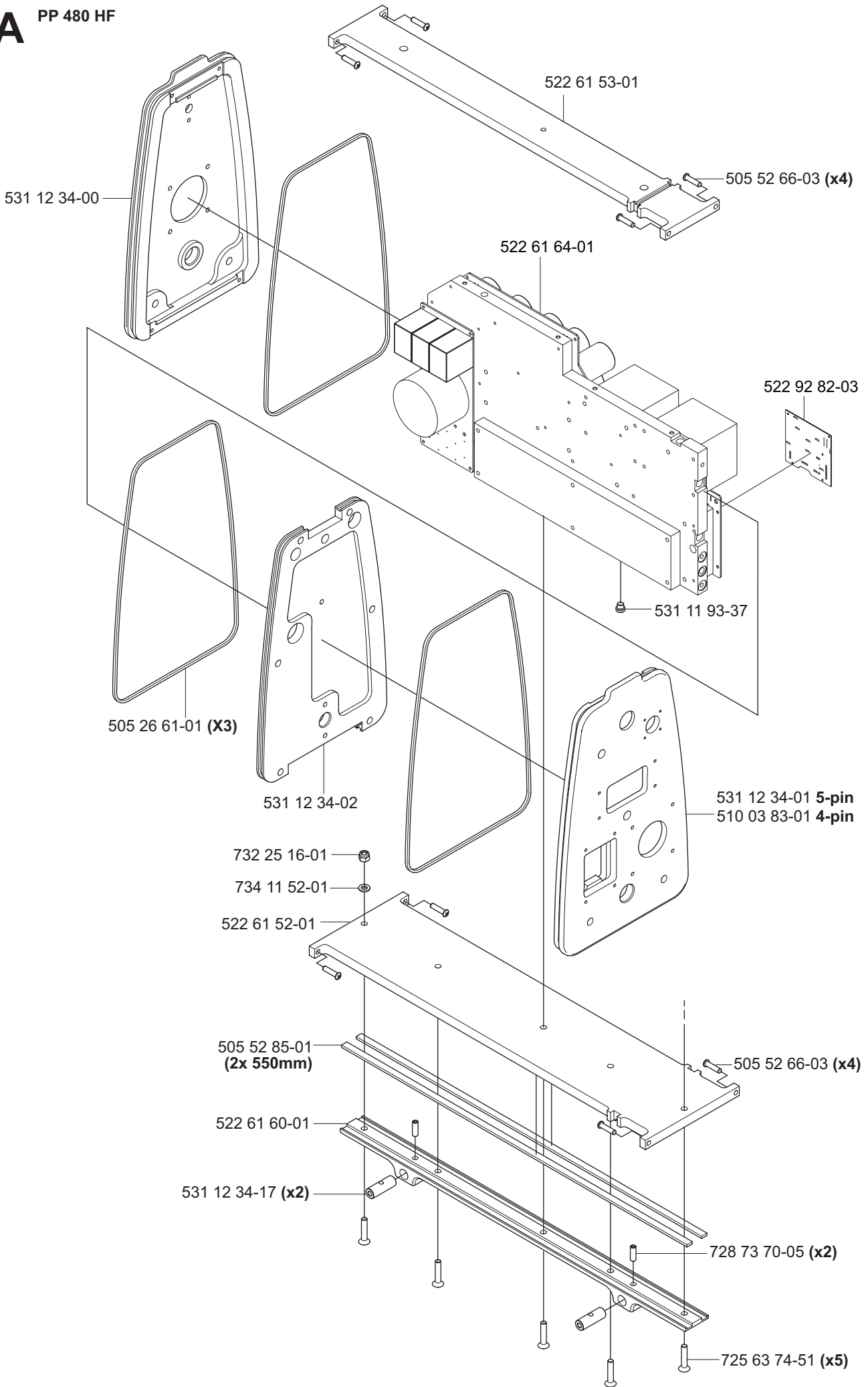
Piezas de repuesto

Ricambi

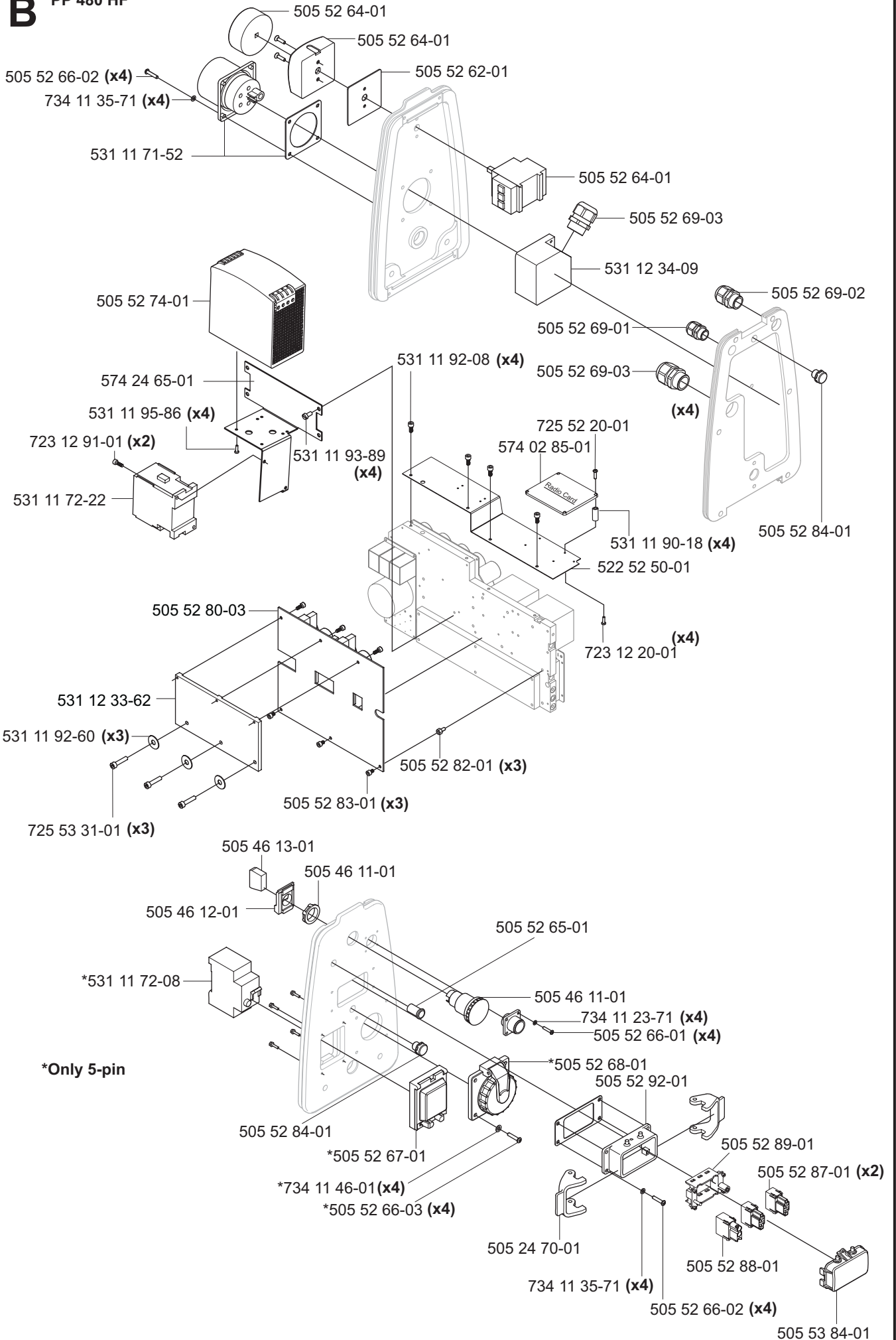
Peças sobresselente

No.	Pos.	Description	No.	Pos.	Description
504 00 40-01	F	Type plate	531 11 90-14	C	Hose clamp 13-20
504 05 50-01	F	Display label	531 11 90-18	B	Distance
505 24 70-01	B	Shackle	531 11 91-26	F	Strap
505 25 71-01	E	Cable	531 11 92-08	B	Screw
505 26 61-01	A	O-ring	531 11 92-60	B	Washer
505 32 70-01	E	Cover	531 11 92-85	F	Distance
505 40 74-01	C	Nipple 3/8"	531 11 93-37	A	Plug
505 42 42-01	C	Valve Assembled	531 11 93-89	B	Screw MLC6S 5x10
505 46 11-01	B	Emergency stop	531 11 95-86	B	Screw MRX M3x5
505 46 12-01	B	Adapter	531 12 32-48	E	Cable
505 46 13-01	B	Contact	531 12 33-61	D	Bumper
505 52 62-01	B	Gasket kit	531 12 33-62	B	Attachment plate
505 52 64-01	B	Switch	531 12 34-00	A	End cover inlet side
505 52 65-01	B	Lamp	531 12 34-01	A	End cover outlet side 5-pin
505 52 66-01	B	Screw	531 12 34-02	A	Partition
505 52 66-02	B	Screw	531 12 34-09	B	Conduit entry
505 52 66-03	ABD	Screw	531 12 34-10	C	Water inlet connection
505 52 67-01	B	Protctive shutter	531 12 34-11	C	Distance coupling
505 52 68-01	B	Socket	531 12 34-12	C	Clamping washer
505 52 69-01	B	Cable grommet M16	531 12 34-13	C	Water connection
505 52 69-02	B	Cable grommet M20	531 12 34-16	D	Foot
505 52 69-03	B	Cable grommet M25	531 12 34-17	A	Locking sleeve
505 52 72-01	D	Handle	531 14 20-11	F	Control plate
505 52 73-01	C	Water valve	531 14 20-13	F	Potentiometer nut
505 52 74-01	B	Transformer 400-480V	531 14 20-62	F	Remote box
505 52 76-01	E	Cable kit	531 14 20-92	F	Charger cable
505 52 77-01	E	Cable kit	574 02 85-01	BF	Radio card
505 52 78-01	E	Cable kit	574 18 48-01	C	Bracket
505 52 80-03	B	Printed circuit assembly	574 19 69-02	F	Control board
505 52 82-01	B	Distance	574 19 71-01	F	Radio remote control
505 52 83-01	B	Screw MC6S 4x5	574 24 65-01	B	Angle bracket
505 52 84-01	B	Ventilating valve	723 12 20-01	B	Screw MCS 3x6
505 52 85-01	A	Sealing strip	723 12 24-01	F	Screw MCS 3x10
505 52 87-01	B	Consol 6-pole	723 12 91-01	B	Screw MCS 4x12
505 52 88-01	B	Consol 3-pole	723 52 28-01	F	Screw MFS 3x16
505 52 89-01	B	Frame	725 52 20-01	B	Screw MC6S 3x6
505 52 92-01	B	Contact housing	725 52 85-01	C	Screw MC6S 4x6
505 53 84-01	B	Cover	725 53 29-01	C	Screw MC6S M5x16
505 56 87-01	C	Water connection	725 53 31-01	B	Screw MC6S 5x20
506 74 83-01	C	Valve Assembled	725 53 33-01	C	Screw MC6S 5x25
510 03 83-01	A	End cover outlet side 5-pin 4-pin	725 53 78-01	D	Screw MC6S 6x40
522 52 50-01	B	Plate	725 54 63-01	D	Screw MC6S 8x60
522 61 52-01	A	Base plate	725 54 69-51	D	Screw MC6S 8x90
522 61 53-01	A	Upper support	725 63 74-51	A	Screw MF6S 6x30 10.9
522 61 59-01	D	Gable top	725 64 91-01	D	Screw MF6S 10x20
522 61 60-01	A	Cover strip lower	728 73 70-05	A	Stop screw S6SS 6x20
522 61 61-01	D	Box side	731 23 10-01	F	Nut M3
522 61 64-01	A	Printed circiut assy complete	732 25 16-01	A	Nut M6 Nylock
522 92 82-03	A	Printed circuit assy 400-480V	732 25 18-01	D	Nut M8 Nylock
525 58 22-01	D	Distance	734 11 23-71	B	Washer 3.2x6
531 11 50-12	F	Can bus cable 6m	734 11 35-71	BC	Washer 4.3x8
531 11 51-83	F	Potentiometer knob compl.	734 11 46-01	BC	Washer 5,3x10x1
531 11 70-34	F	Cannon connector	734 11 52-01	AD	Washer 6.4x12
531 11 70-67	F	Connection block NO	734 11 63-01	D	Washer 8.4x16
531 11 70-96	F	Potentiometer remote control	740 38 27-01	C	Sealing ring 1/4
531 11 71-44	F	Push-button	740 42 08-00	C	O-ring 10,1x1,6
531 11 71-52	B	Electric inlet 32A 400V	740 42 17-00	F	O-ring 19,1x1,6
531 11 71-59	F	Gasket	740 43 09-00	C	O-ring 11,3x2,4
531 11 72-08	B	Personal Safety Guard	740 43 13-00	C	O-ring 15,3x2,4
531 11 72-22	B	Contactora 400-480V			
531 11 72-40	F	Gasket			
531 11 72-51	F	Emergency stop			
531 11 72-52	F	Circuite breaker			
531 11 72-53	F	Battery			
531 11 72-54	F	Battery charger			
531 11 80-03	C	Quick coupling, female 1800 uv			
531 11 80-05	C	Nipple 1812			
531 11 80-18	C	Ball valve 3/8			
531 11 82-19	C	Quick coupling, female 1300 UV			
531 11 83-54	C	Nipple 18110 with net			

A PP 480 HF



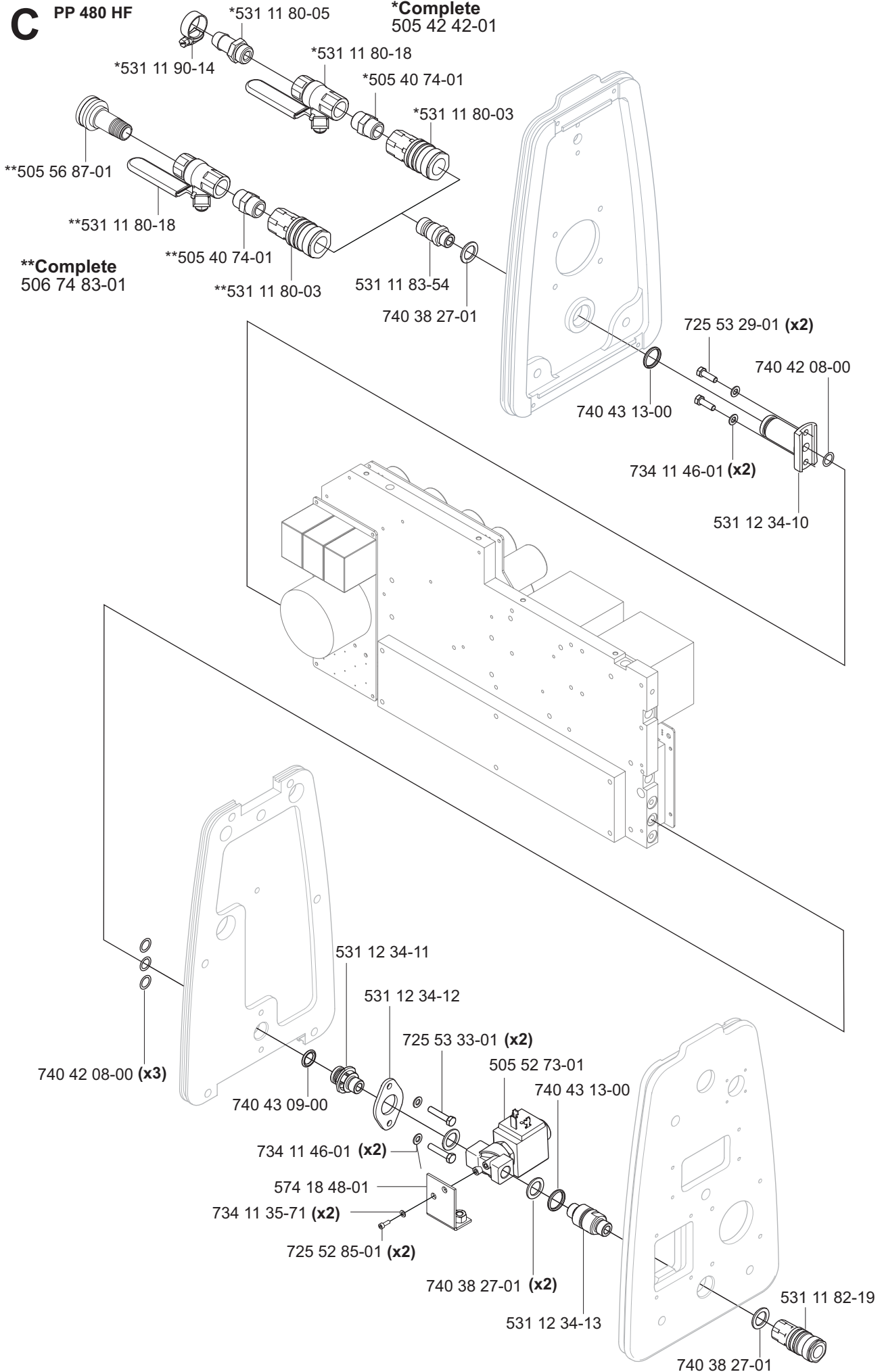
B PP 480 HF



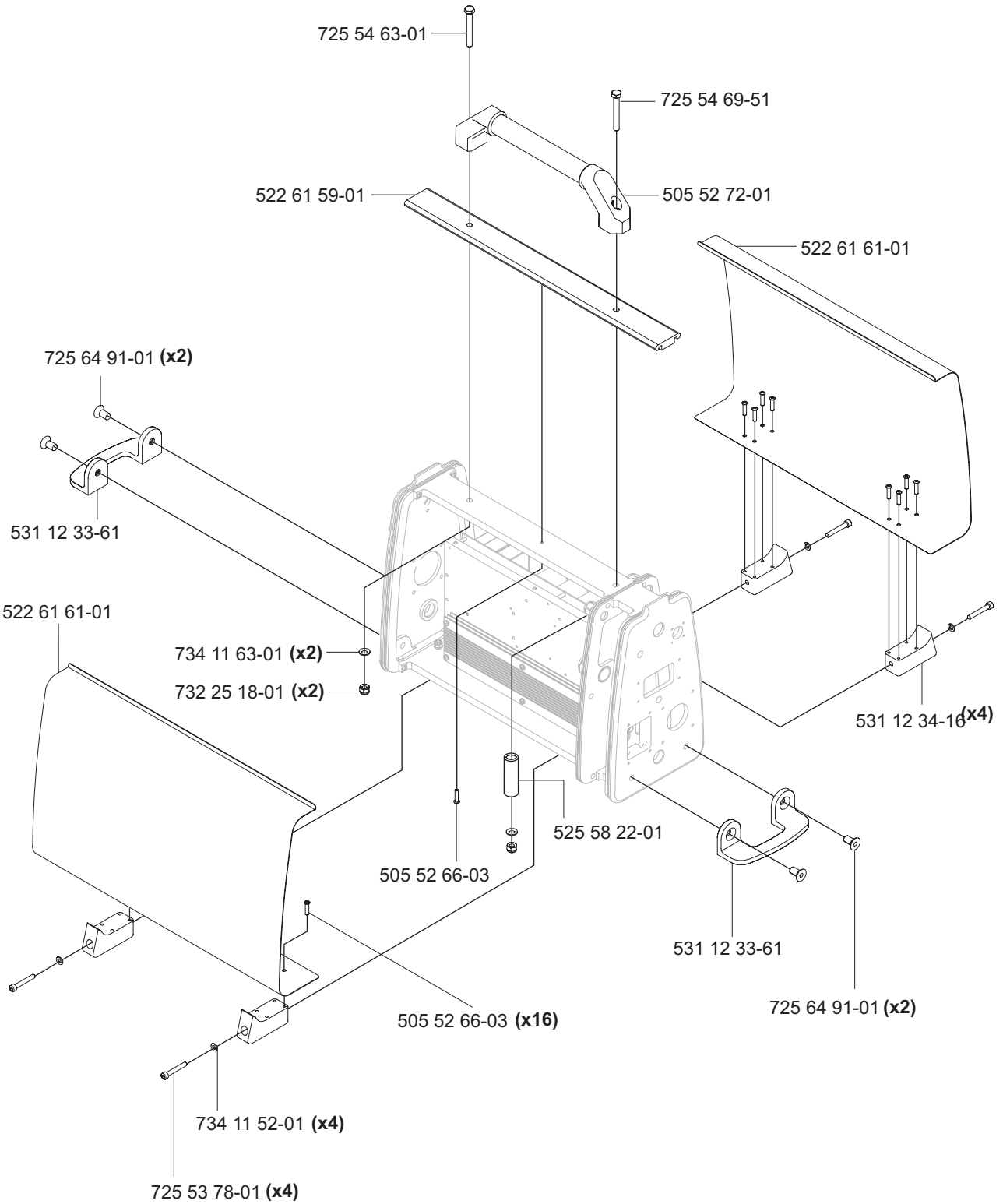
C

PP 480 HF

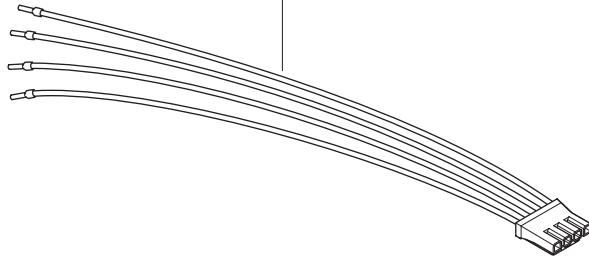
***Complete**
505 42 42-01



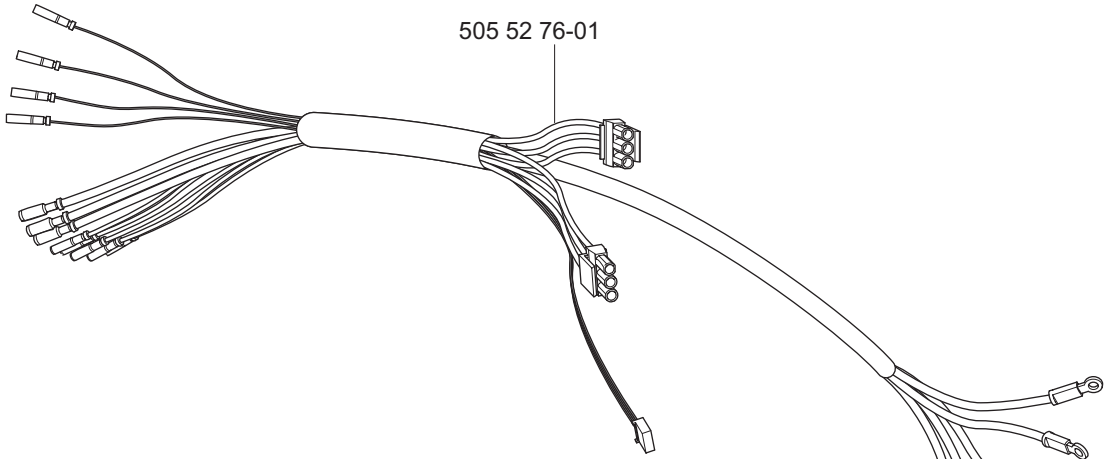
D PP 480 HF



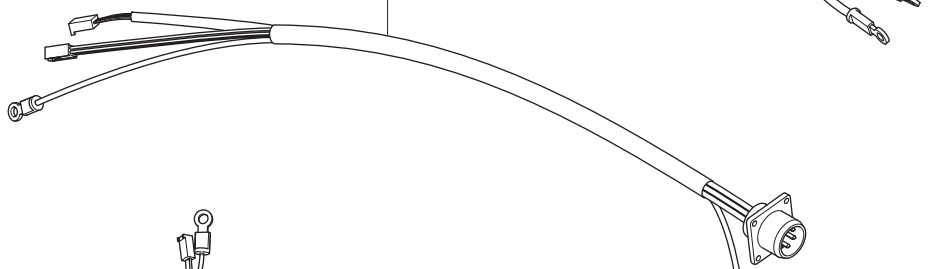
505 25 71-01



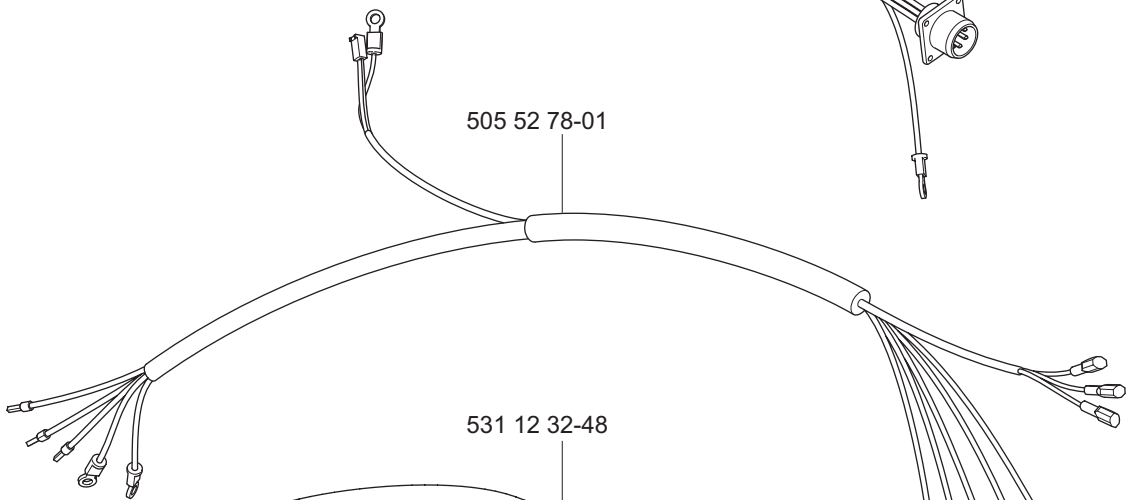
505 52 76-01



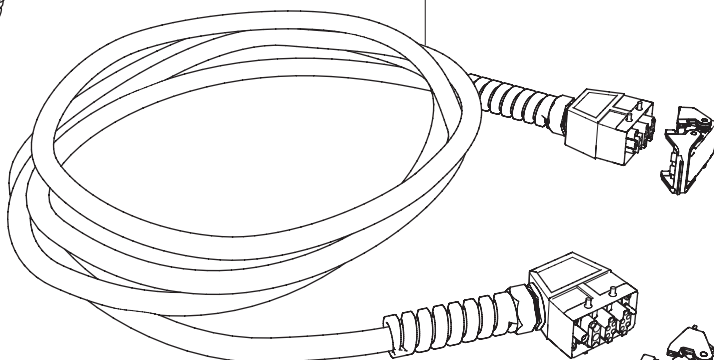
505 52 77-01



505 52 78-01



531 12 32-48



505 32 70-01 (x2)



F**PP 480 HF****Radio remote control
compl. 574 19 71-01**