

TS 250XS

Spare parts

Pieces de rechange

Piezas de repuesto

TS 250XS

PART NO.	POS.	DESCRIPTION	PART NO.	POS.	DESCRIPTION
501 96 53-01	A	Blade Guard 10" - PC H. Orange	542 16 32-48*	A	Strip, Rubber Sponge
504 04 02-01	A	Decal: Husq Crown H, 25mm	542 16 93-65*	A	Guard, Splash
539 30 01-23	C	Set Collar, 1" I.D.	542 16 93-66*	A	Screw, Self-Tap Pan Hd, #8 x 3/8 "B" ZP
539 99 05-80	B	Screw, Hex Hd 1/4"-20 x 3/4"	542 16 94-86*	A	Knob, 5/16"-18 x 1 4-Prong
541 20 15-69	A	V-Belt, 3VX280	542 16 95-22*	A	Flange, Inner
541 20 46-69	A	Washer, Spring Wave .531 ID ZP	542 16 95-23*	A	Flange, Outer
541 20 48-00	G	Fitting, 1/4"NPT x 1/4" Hose	542 16 95-65*	G	Tube, Clear Vinyl 1/4" ID x 6"
542 02 00-11*	K	Carriage Bolt, 1/4"-20 x .625 ZP	542 16 95-73*	J	Cart Assy, Conveyor w/ V-Top
542 02 00-60*	A	Key, .1875 Sq x 1	542 16 96-35*	J	Support - Inner Rail
542 02 01-27*	A	Carriage Bolt, 5/16"-18 x 3, GR5 ZP	542 16 96-92*	J	Conveyor Cart, Small - Compl
542 02 01-94*	D	Locknut, Fiber 10-24 ZP	542 17 10-65*	K	Cutting Accessories Package
542 02 01-95*	A,B,H,J	Locknut, Fiber 1/4"-20 ZP	542 17 50-56*	H	Motor & Ammeter, 2HP
542 02 01-97*	A,C,E	Locknut, Fiber 5/16"-18 ZP	542 17 50-79*	H	Ammeter Assy
542 02 01-99*	E	Locknut, Fiber 3/8"-16 ZP	542 17 50-85*	H	Pad, Mounting
542 02 02-44*	K	Locknut, Wing 1/4"-20	542 17 50-86*	H	Bar, Mounting - L.H.
542 02 02-45*	A	Locknut, Wing 5/16"-18 ZP	542 17 50-87*	H	Bar, Mounting - R.H.
542 02 03-23*	D,F	Capscrew, Hex Head, 3/8-16 x 1.0	542 17 69-53*	H	Locknut, Conduit 3/4"
542 02 03-70*	A,H	Capscrew, Hex Hd, 1/4"-20 x .75 GR 5 ZP	542 17 88-25*	A	Flange Bolt, 5/16"-18 x 1 Gr5 ZP
542 02 03-73*	C	Capscrew, Hex Hd, 5/16"-18 x 1.50 GR 5 ZP	542 18 08-10*	A,H	Switch Box Assy w/ Wiring
542 02 04-11*	D	Machine Screw, Hex Head, 10-24 x .75"	542 18 22-12*	H	Connector, 90 Deg Strain Relief
542 02 04-41*	A	Capscrew, Hex Hd, 5/16"-18 x 1.75 GR 5 ZP	542 18 70-43*	A	Decal: Warning
542 02 04-89*	C	Screw, Self-Tap Hex WH, 1/4"-20 x .75 "F"	542 18 92-47*	A	Decal: Water Pump Outlet
542 02 05-40*	A	Set Screw, Soc Hd, 1/4"-20 x 1/4" Cup	542 18 96-60*	A	Flange Bolt, 1/4"-20 x 1/2" Gr5 ZP
542 02 05-50*	A	Screw, Socket Hd, 5/16"-18 x 3/8	542 18 96-61*	A	Cap, Bearing
542 02 05-87	C	Screw, Self-Tap Hex WH, 10-24 x .375 "F"	542 18 97-37*	J	T-Knob 1/4"-20 x 3/4"
542 02 07-39*	A	Washer, Flat #10 (3/16") ZP	542 19 07-30	B	Decal: Husq Target SM TS250XS
542 02 07-39*	D	Washer, Flat #10 ZP			
542 02 07-41*	A	Washer, Flat 1/4" ZP	542 19 07-36	J	Decal: HUSQVARNA, 4" Domed
542 02 07-42*	A,D,E	Washer, Flat 5/16" ZP	542 19 37-94*	C	Decal: Drain Plug
542 02 07-43*	D,E	Washer, Flat 3/8" ZP	542 19 38-30*	A	Flange Bolt, 1/4"-20 x 3/4" Gr5 ZP
542 02 07-62*	B,C,H,J	Washer, Flat SAE 1/4" ZP	542 19 38-33*	A	Shaft, Blade
542 02 07-63*	A,C	Washer, Flat SAE 5/16" ZP	542 19 38-70	A	Adjustment Cam, ZP
542 02 07-66*	A	Washer, Flat SAE 1/2" ZP	542 19 39-19	A	Pin, Roll. .156 x 1.00
542 02 07-85*	A	Lockwasher, Split 5/16" (M8)	542 19 39-20	A	Bolt, Blade Latch, ZP
542 02 14-16*	E	Capscrew, Hex Hd, 5/16"-18 x 1" GR 5 ZP	542 19 70-44	C	Latch
542 02 14-23*	J	Capscrew, Hex Hd, 1/4"-20 x .5" GR 5 ZP	542 20 11-12	J	Inst Sheet: Inner Rail Install
542 03 03-86*	B	Drain Plug Assy	542 20 30-11	A	Torsion Spring, ZP
542 03 08-22*	D,J	Wheel, Cart	542 20 30-51	A	Pulley 2G3V2.0 - .625 w/ SS
542 03 09-06*	A	Pulley 2G3V2.25 - .875 w/ SS	542 20 30-83	J	Rip Guide Assy
542 03 23-66*	D,J	Nut, KEPS 5/16"-18 ZP	542 20 31-19	D,J	Wheel, Eccentric, Yellow Zinc
542 04 63-26*	A	Decal, 3-Wire Grounded Plug	542 20 31-80	A	Pad, Resilient, Self Adhesive
542 04 63-27*	A	Decal, Cord Usages	542 20 31-81	A	Blade Shaft Stop, ZP
542 04 87-40*	D,E	Capscrew, Hex Head, 3/8-16 x 1.25	542 20 32-18	A	Nut, Flange, 5/16"-18 Tensilock
542 05 01-03*	I	Knob, Adjustment	542 20 53-85	A	Bracket, TS Belt Guard Mtg, Z/P
542 05 01-05*	I	Stop, Friction	542 20 53-87	A	Belt Guard - PC H. Orange
542 05 01-06*	I	Spring	542 20 53-92	A	Head Platform - PC H. Gray
542 05 01-07*	I	Bolt, Locking - B/O	542 20 53-97	C	Frame, TS 250XS - PC H. Gray
542 05 02-16*	G	Water Pump & Valve, 230V/50-60	542 20 53-98	D	Conveyor Cart Wlmt - PC H. Gray
542 05 02-18*	G	Water Pump & Valve, 115V/60	542 20 53-99	D	Cart Exten Wlmt - PC H. Gray
542 05 10-10*	K	Protractor Assy, Adj 90 Deg	542 20 54-00	B	Pan, TS 250XS - PC H. Orange
542 05 10-20*	K	Guide Assy, Dual 45 Deg	542 20 54-01	E	Stand, TS 250XS - PC H. Gray
542 05 10-30*	K	Bullnose Guide Assy, 45 Deg	542 20 54-45	A	Blade Guard Assy - TS 250
542 05 10-65*	C	Tab, Plastic	542 20 54-46	A	Platform w/Bladeshaft -compl TS 250
542 07 10-81*	A	Bearing, .669 BB	542 20 54-49	A	Cutting Head - compl 1.5HP- 115V/230/60
542 07 11-10*	A	Washer, Spring	542 20 54-54	B	Water Pan, H Orange - compl TS 250XS
542 16 10-19*	G	Connector, "Y" 1/4"			
542 16 10-21*	G	Nozzle, Plastic 1/4" x 1.5			
542 16 10-26*	G	Tube, Clear Vinyl 1/4" ID x 32"			
542 16 11-34*	G	Valve, Flow Control			
542 16 13-16*	G	Water Pump & Valve, G300 115V/60			
542 16 14-79*	I	Support Assy, 45 Deg - Black			
542 16 14-80*	I	Miter Guide, 45 Deg Mighty			
542 16 16-22*	D	Cutting Board, Cart - TS 250XS			
542 16 16-23*	D	Cutting Board, Exten - TS 250XS			
542 16 16-24*	B	Rail, Outer			
542 16 16-26*	J	Rail, Inner			
542 16 16-30*	C	Pan Stop - TS 250XS			
542 16 16-32*	C	Lockbar - TS 250XS			
542 16 16-41*	F	Wrench, 15/16", ZP			
542 16 16-58*	C	Stop Assy			
542 16 16-70*	E	Caster, Swivel			
542 16 16-71*	E	Caster, Rigid			
542 16 16-87*	E	Floor Lock			
542 16 16-93*	F	Rip Guide Assy - TS250XS			
542 16 17-19*	G	Tube, Clear Vinyl 1/4" ID x 72"			
542 16 17-30*	A	Bearing Cap W/ Mounting Screws			
542 16 17-51*	D	Backstop, TS 250XS - ZP			

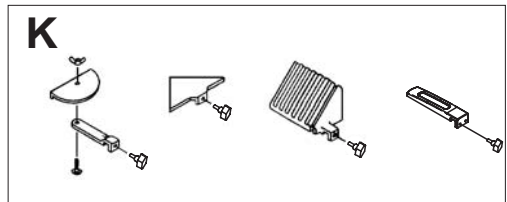
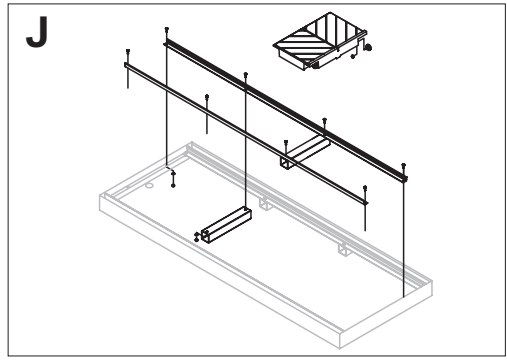
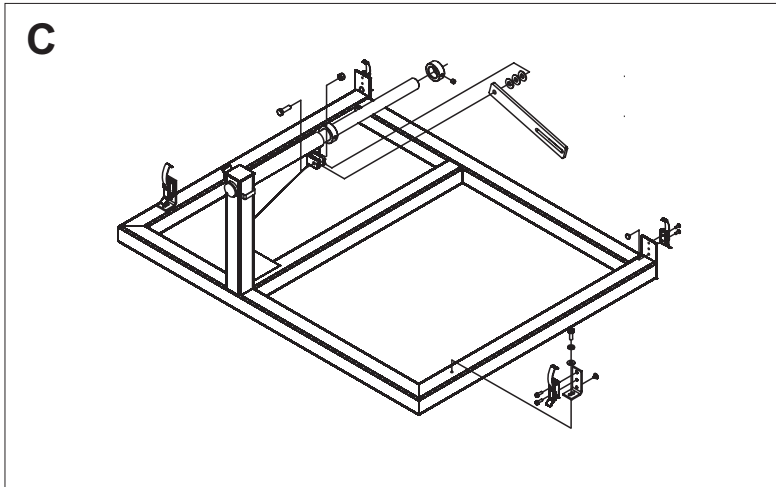
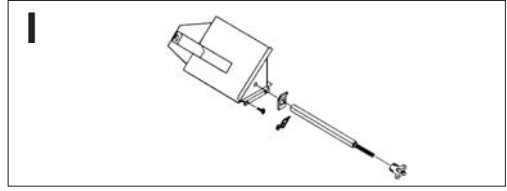
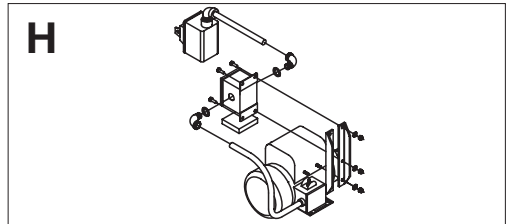
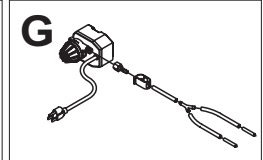
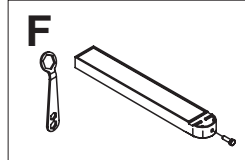
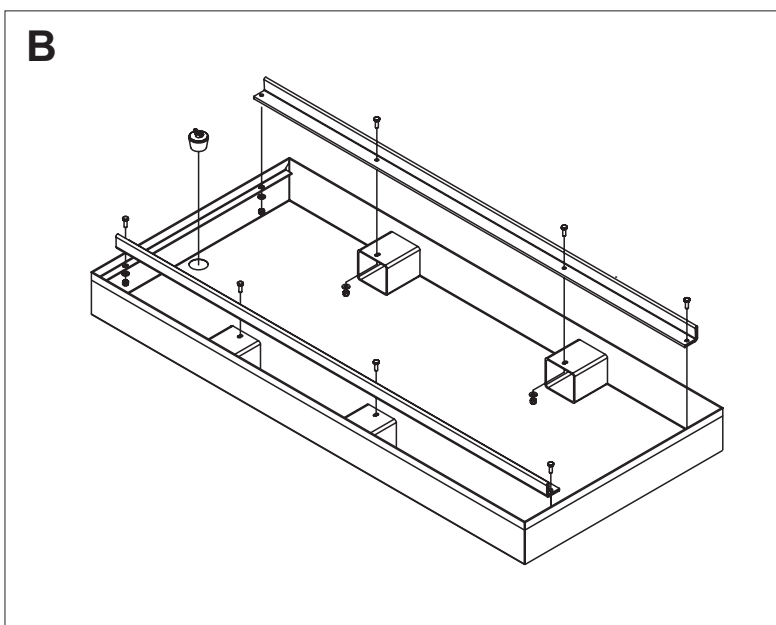
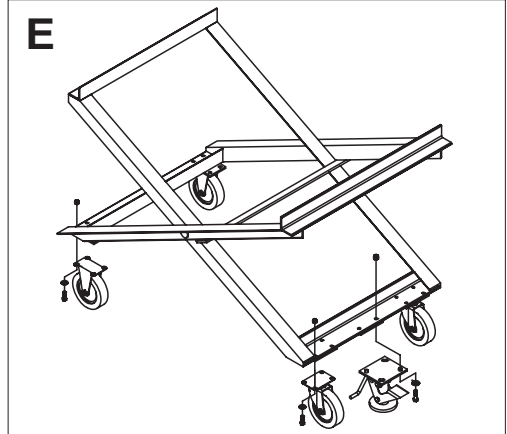
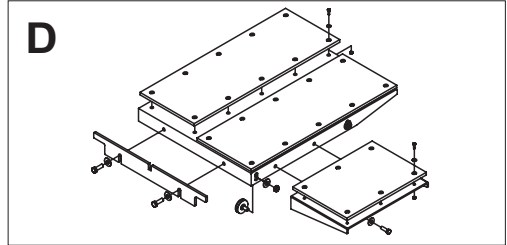
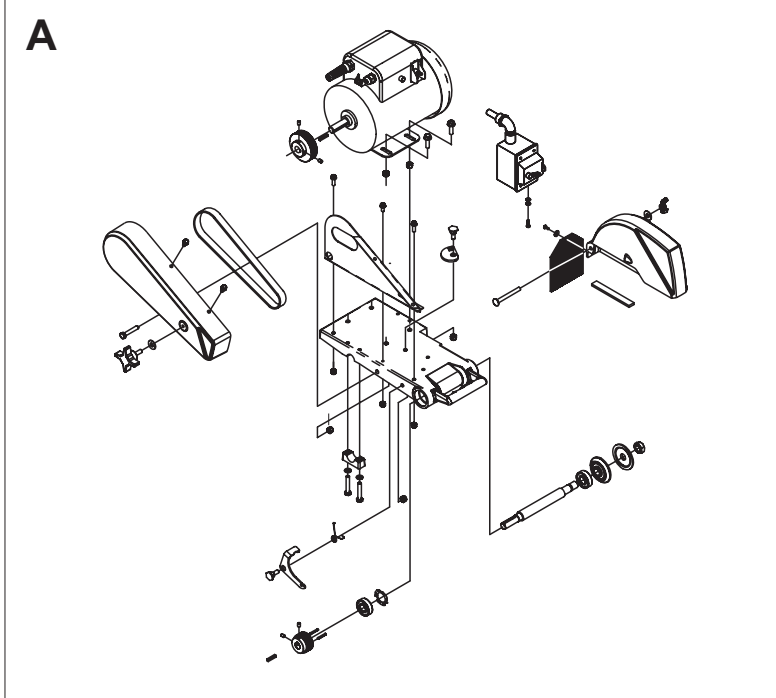
NOTE: Part No's. that have an ASTERISK (*) suffix may not be active 9-digit numbers. The '542' prefix has been added to current 6-digit part numbers and '0' to 7 and 8-digit numbers.

TS 250XS

PART NO.	POS.	DESCRIPTION	PART NO.	POS.	DESCRIPTION
			*** Kits ***		
			542 04 00-49*	D	Kit, Cart Wheel
			542 05 20-04*	A	Kit, Blade Shaft Replacement
			542 16 96-33	J	Kit, Small Cart & Rail (Optional)
			542 16 10-49*	E	Kit, Water Pump - G100 / G150
			542 03 21-24*	E	Kit, Water Pump - G300
			-- ITEMS NOT SHOWN --		
			542 20 11-03	N/S	OM Op Instr: TS 250XS, Husq 3-L
			542 20 11-08	N/S	IPL Parts List: TS 250XS, Husq
			PARTS	For	542 00 06-05 Motor (D.V.)
					1.5HP 3450 RPM 115V-230/60/1
			542 16 15-81*	NS	Switch, On-Off DPST
			542 03 01-41*	NS	Switch, Dual Voltage Toggle
			542 00 08-73*	NS	Overload, Manual Reset Thermal
			None	NS	Capacitor, (Run)
			542 18 91-17*	NS	Capacitor, 485 Mfd / 110V (Start)
			PARTS	For	542 00 07-16 Motor (D.V.)
					2.0HP 3450 RPM 115-230V/60/1
			542 16 15-81*	NS	Switch, On-Off DPST
			542 03 01-41*	NS	Switch, Dual Voltage Toggle
			542 00 08-74*	NS	Overload, Manual Reset Thermal
			542 16 15-65*	NS	Capacitor, 35 Mfd / 370V (Run)
			542 11 00-55*	NS	Capacitor, 650 Mfd / 165V (Start)
			See 542 20 11-03 Operator's Manual for Wiring Diagrams		

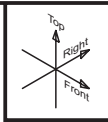
NOTE: Part No's. that have an ASTERISK (*) suffix may not be active 9-digit numbers. The '542' prefix has been added to current 6-digit part numbers and '0' to 7 and 8-digit numbers.

Reference Diagram

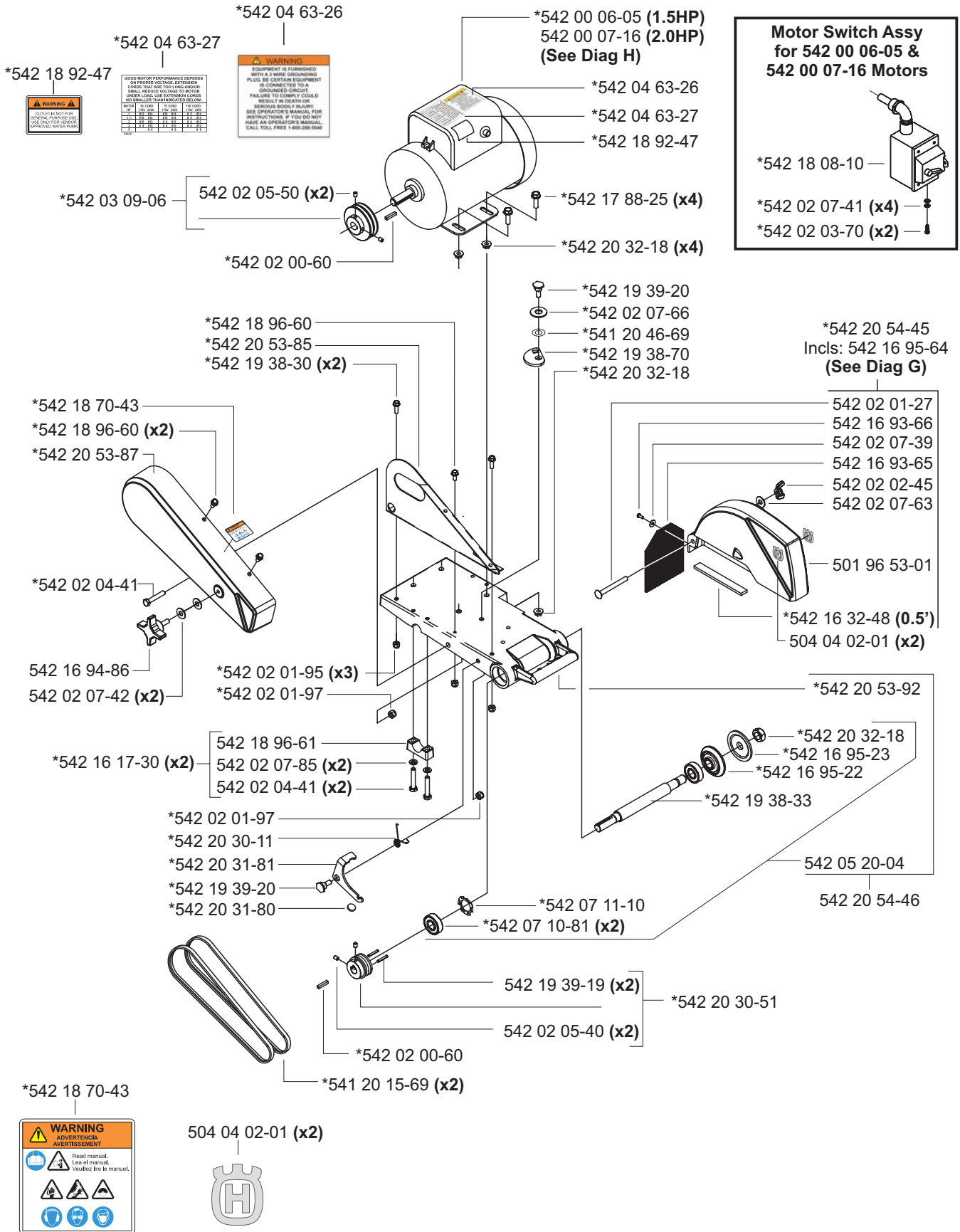


A Cutting Head Assy - 1.5 HP & 2.0 HP

*Compl 542 20 54-49 (1.5HP 115V/230)



12.06.06



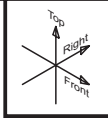
GOOD MOTOR PERFORMANCE DEPENDS ON PROPER VOLTAGE. EXTENSION CORDS THAT ARE TOO LONG AND/OR SMALL REDUCE VOLTAGE TO MOTOR AND CAN CAUSE OVERHEATING AND SHORTEN MOTOR LIFE.

WIRE SIZE (AWG)	100 FT.	150 FT.	200 FT.
14	100	100	100
12	100	100	100
10	100	100	100
8	100	100	100
6	100	100	100
4	100	100	100
2	100	100	100

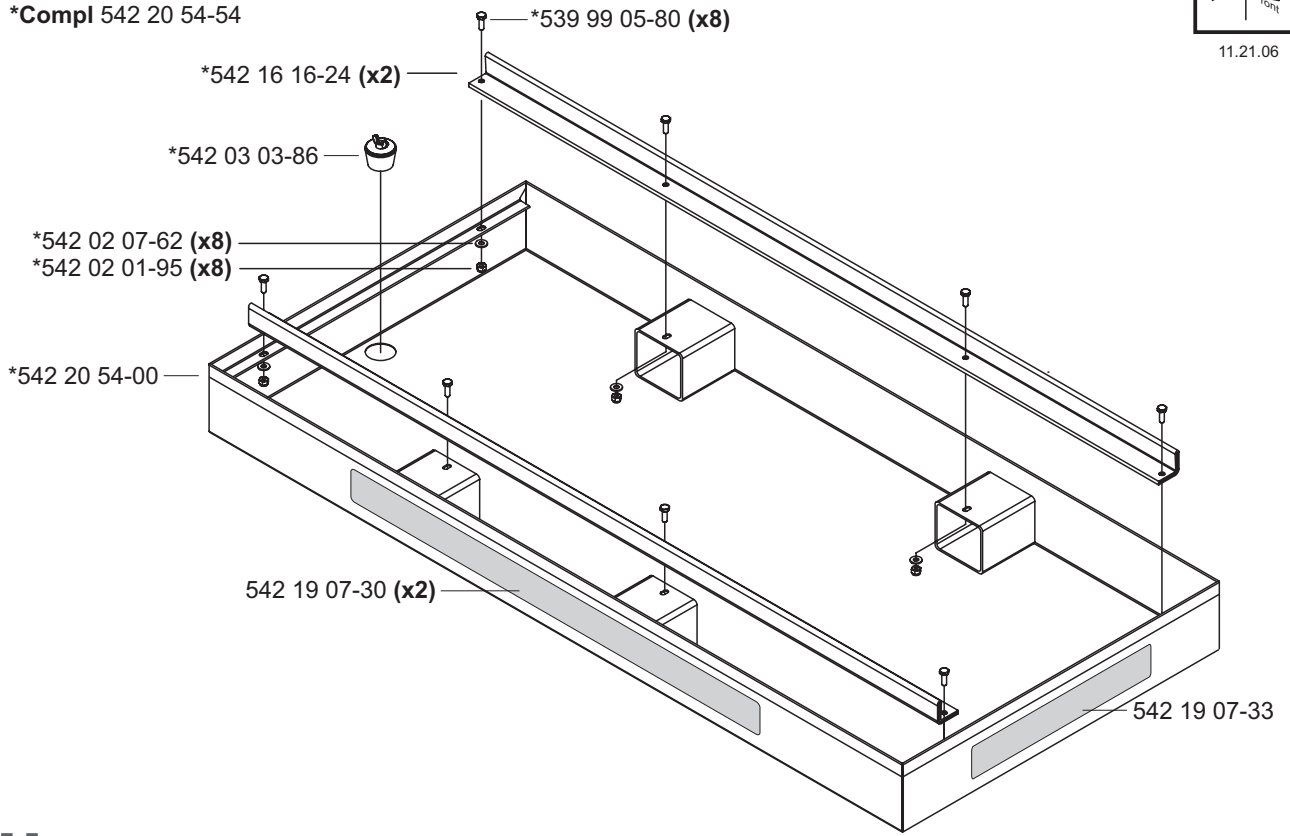


B Water Pan Assy - Husq Orange

*Compl 542 20 54-54



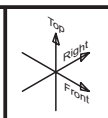
11.21.06



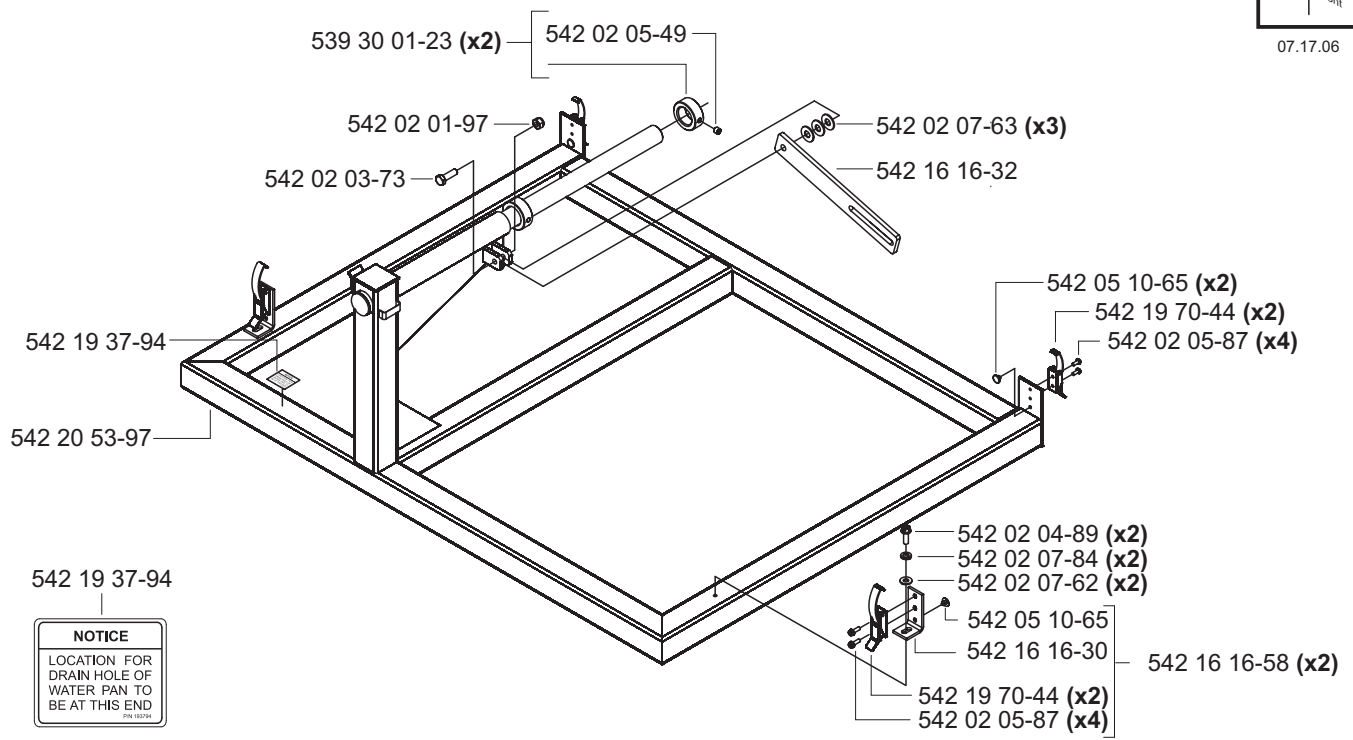
— 542 19 07-39

TARGET STONEMATIC TS250XS — 542 19 07-30

C Frame Assy



07.17.06



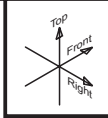
542 19 37-94

NOTICE
LOCATION FOR
DRAIN HOLE OF
WATER PAN TO
BE AT THIS END
Pin 122104

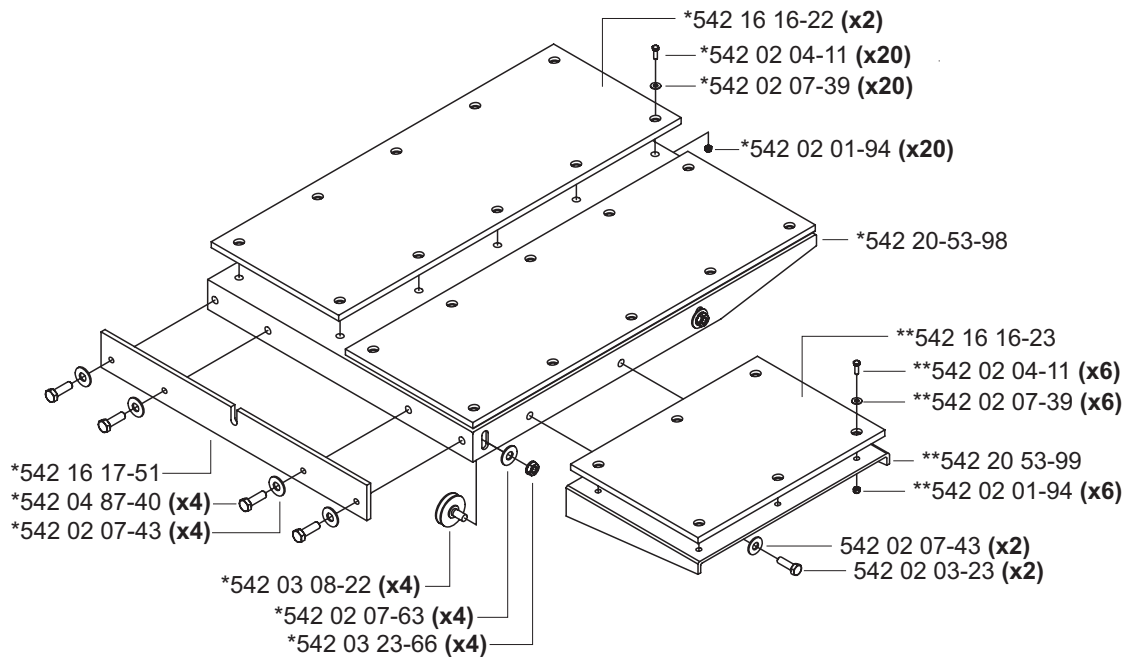
D Conveyor Cart Assy and Side Extension

*Compl Cart Assy 542 20 32-48

**Compl Extension Assy 542 20 32-50

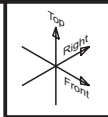


12.06.06

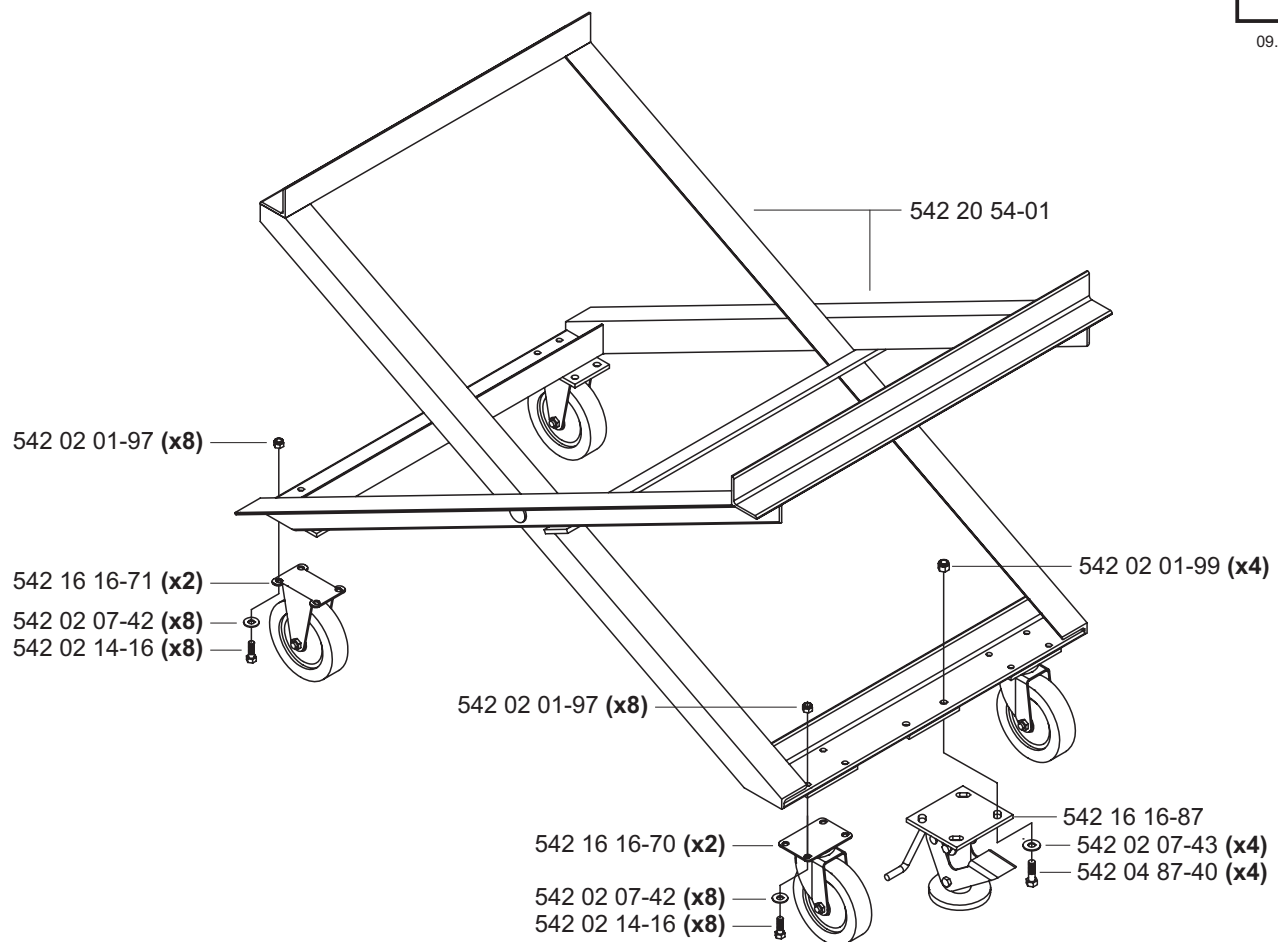


542 03 00-49 Wheel Kit

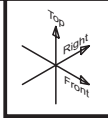
E Tile Saw Stand Assy



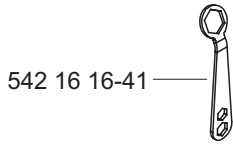
09.14.06



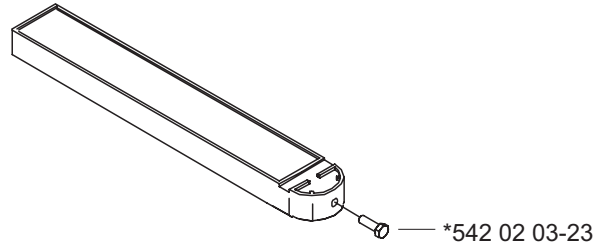
F Tile Saw Accessories and Tools (Standard)



07.14.06

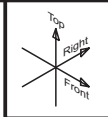


542 16 16-41
Wrench: 15/16 x 9/16 x 1/2



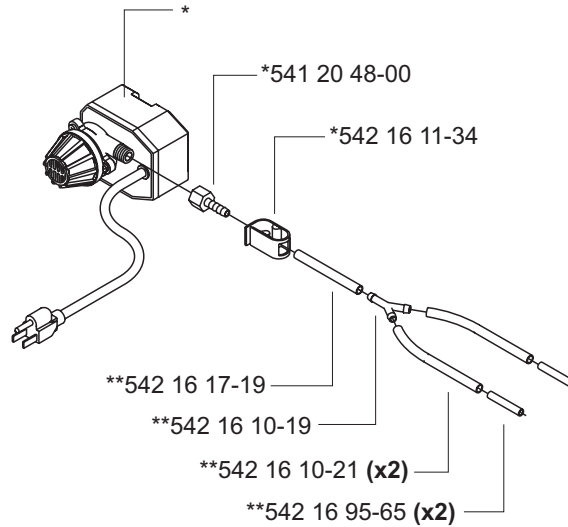
*542 16 16-93
Rip Guide Assy

G Water Pump & Tube Assy



07.18.06

- *Compl 542 05 02-18 (G100 115V 60Hz)
- *Compl 542 16 13-16 (G300 115V 60Hz)
- *Compl 542 05 02-16 (G300 230V/50-60Hz)

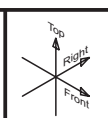


Pump Repair Kits:
542 16 10-49 (G100 Pump)
542 03 21-24 (G300 Pump)

**Compl 542 16 95-64 (72" Tube Assy)

H Motor Assy with Ammeter (2HP 115/230V/60/1)

542 17 50-56 Compl



12.06.06

542 18 92-47

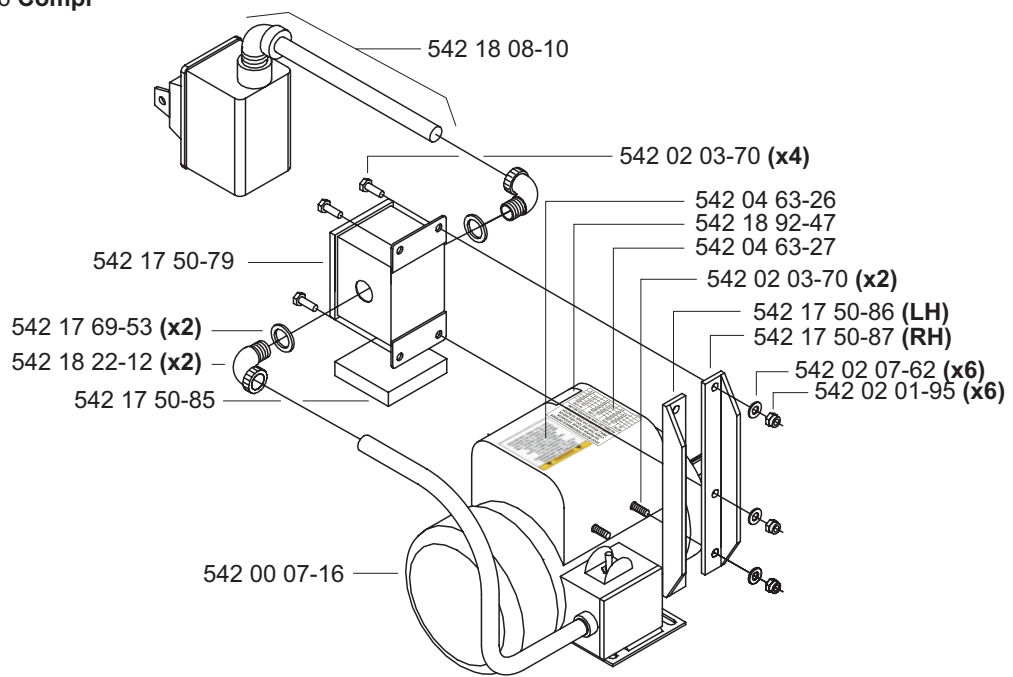


542 04 63-27

GOOD MOTOR PERFORMANCE DEPENDS ON PROPER VOLTAGE REGULATION. EXCESSIVE VOLTAGE AND OVERLOADING CAN CAUSE EXCESSIVE HEATING, WHICH MAY RESULT IN MOTOR FAILURE. TO ENSURE PROPER MOTOR PERFORMANCE, USE THE FOLLOWING TABLE TO CHECK VOLTAGE REGULATION. VOLTAGE SHOULD BE WITHIN THE RANGE INDICATED.

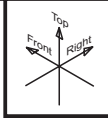
VOLTS	PERCENT	PERCENT	PERCENT
115	100	100	100
110	95	95	95
105	90	90	90
100	85	85	85
95	80	80	80
90	75	75	75
85	70	70	70
80	65	65	65
75	60	60	60
70	55	55	55
65	50	50	50
60	45	45	45
55	40	40	40
50	35	35	35
45	30	30	30
40	25	25	25
35	20	20	20
30	15	15	15
25	10	10	10
20	5	5	5
15	0	0	0

542 04 63-26

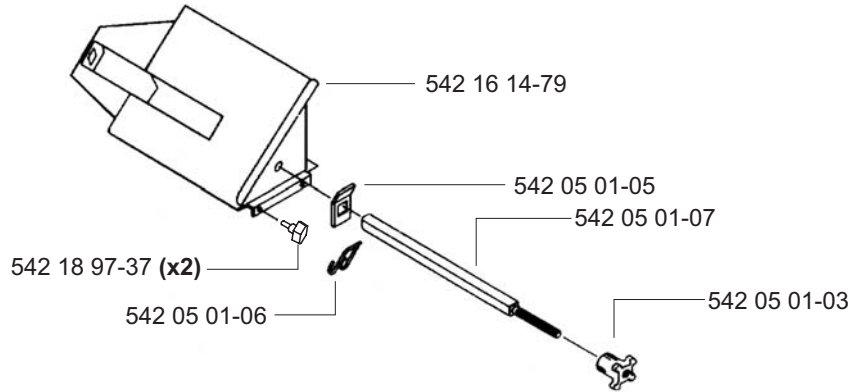


I Tile Saw Accessory (Optional)

Compl 542 16 14-80
45° Mighty Miter

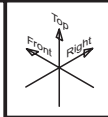


07.27.06

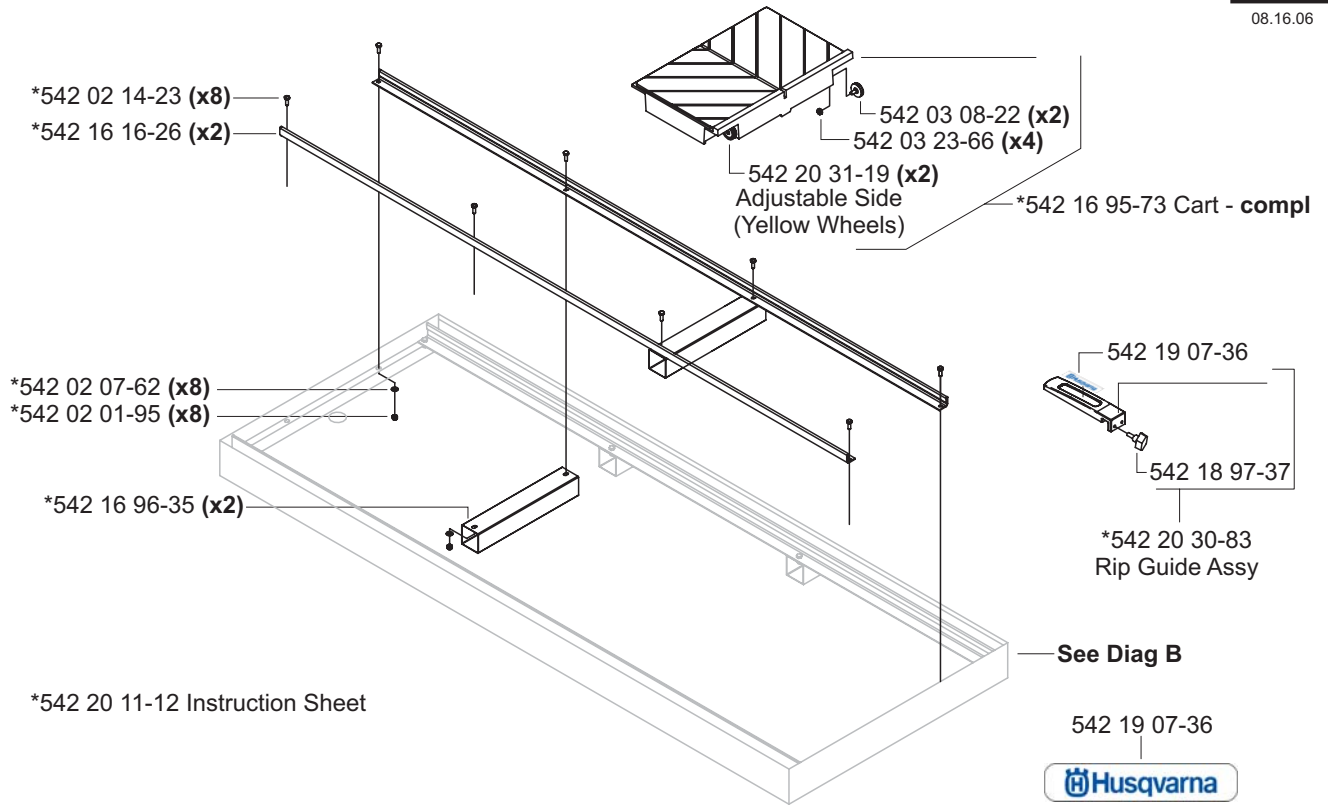


J Small Cart & Rail Package (Option)

*542 16 96-33 Smart Cart & Rail Kit - Compl



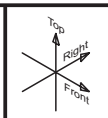
08.16.06



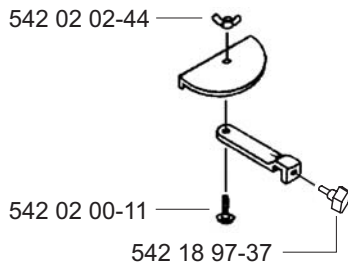
*542 20 11-12 Instruction Sheet

K Tile Saw Accessory Group (Options for Small Cart)

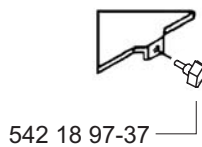
*Compl 542 17 10-65



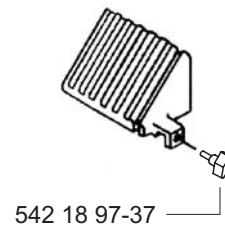
08.14.06



*542 05 10-10
90° Protractor



*542 05 10-20
Dual 45° Angle Guide



*542 05 10-30
45° Bull Nose Miter

Husqvarna Construction Products N. A.
Corporate Office
17400 West 119th Street
Olathe, Kansas 66061
Tel. 913-928-1000
Fax 913-438-7951

Customer Service: 800-288-5040
Customer Serv. Fax: 800-825-0028



DUST WARNING



Cutting, especially when DRY cutting, generates dust that comes from the material being cut, which frequently contains silica. Silica is a basic component of sand, quartz, brick clay, granite and numerous other minerals and rocks. Exposure to excessive amount of such dust can cause:

- Respiratory diseases (affecting your ability to breath), including chronic bronchitis, silicosis and pulmonary fibrosis from exposure to silica. These diseases may be fatal;
- Skin irritation and rash; and
- Cancer according to NTP* and IARC*
* National Toxicology Program / International Agency for Research on Cancer

Take precautionary steps

- Avoid inhalation of and skin contact with dust, mist and fumes;
- Wet cut when feasible, to minimize dust;
- Wear and ensure that all bystanders wear appropriate respiratory protection such as dust masks designed to filter out microscopic particles. (See OSHA 29 CFR Part 1910.1200)

California Prop 65 Warning:

Use of this product can cause exposure to materials known to the State of California to cause cancer and/or birth defects or other reproductive harm.



Printed in the USA