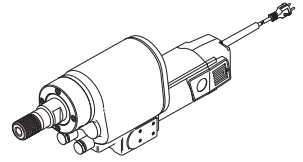


DIMAS



IPL, DIMAS DM310, 2005-10, 531 07 99-06

DIMAS DM310

Reservdelar

Spare parts

Ersatzteile

Pieces de rechange

Piezas de repuesto

Ricambi

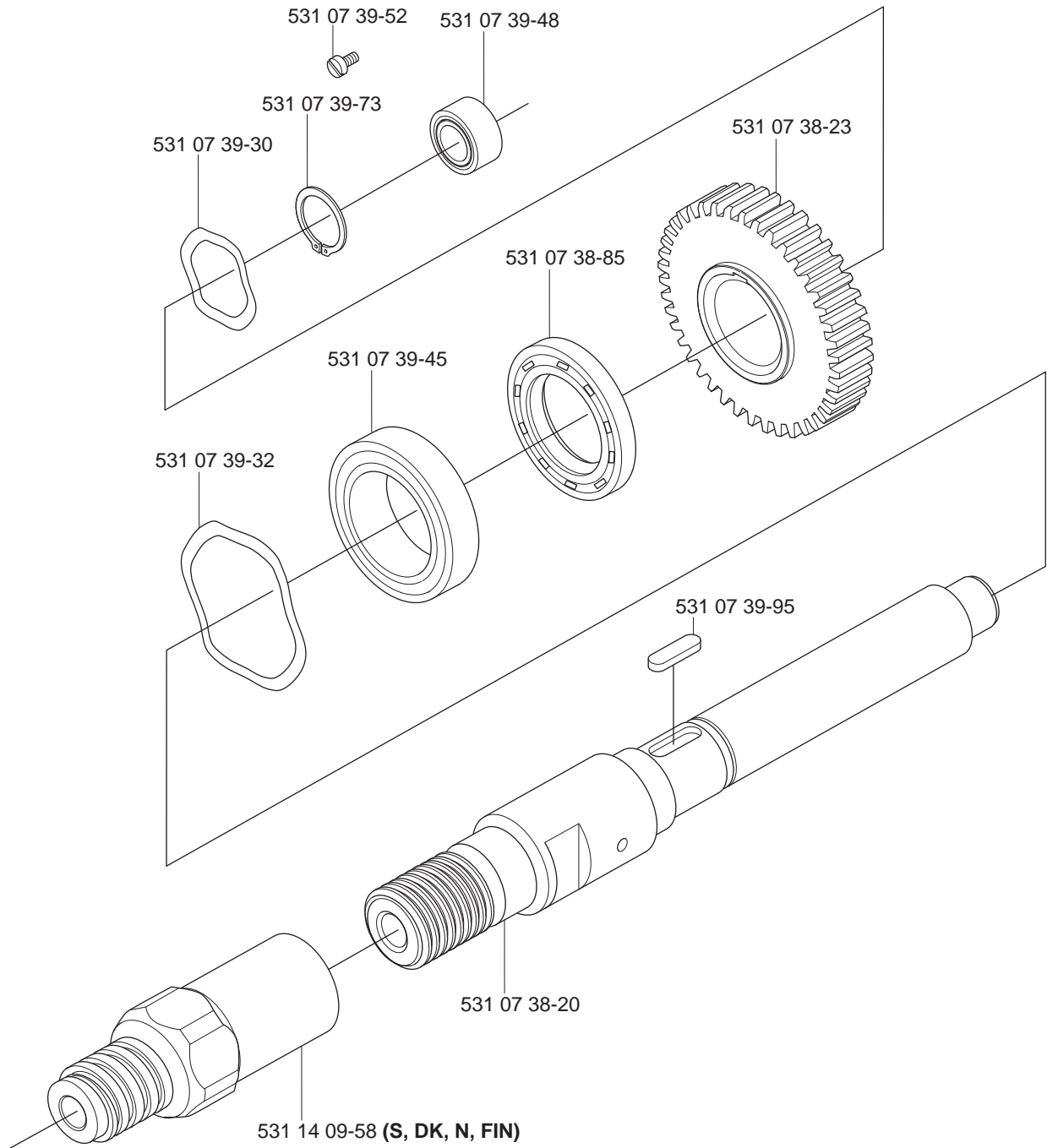
**Peças
sobresselente**

531 07 99-06

DIMAS

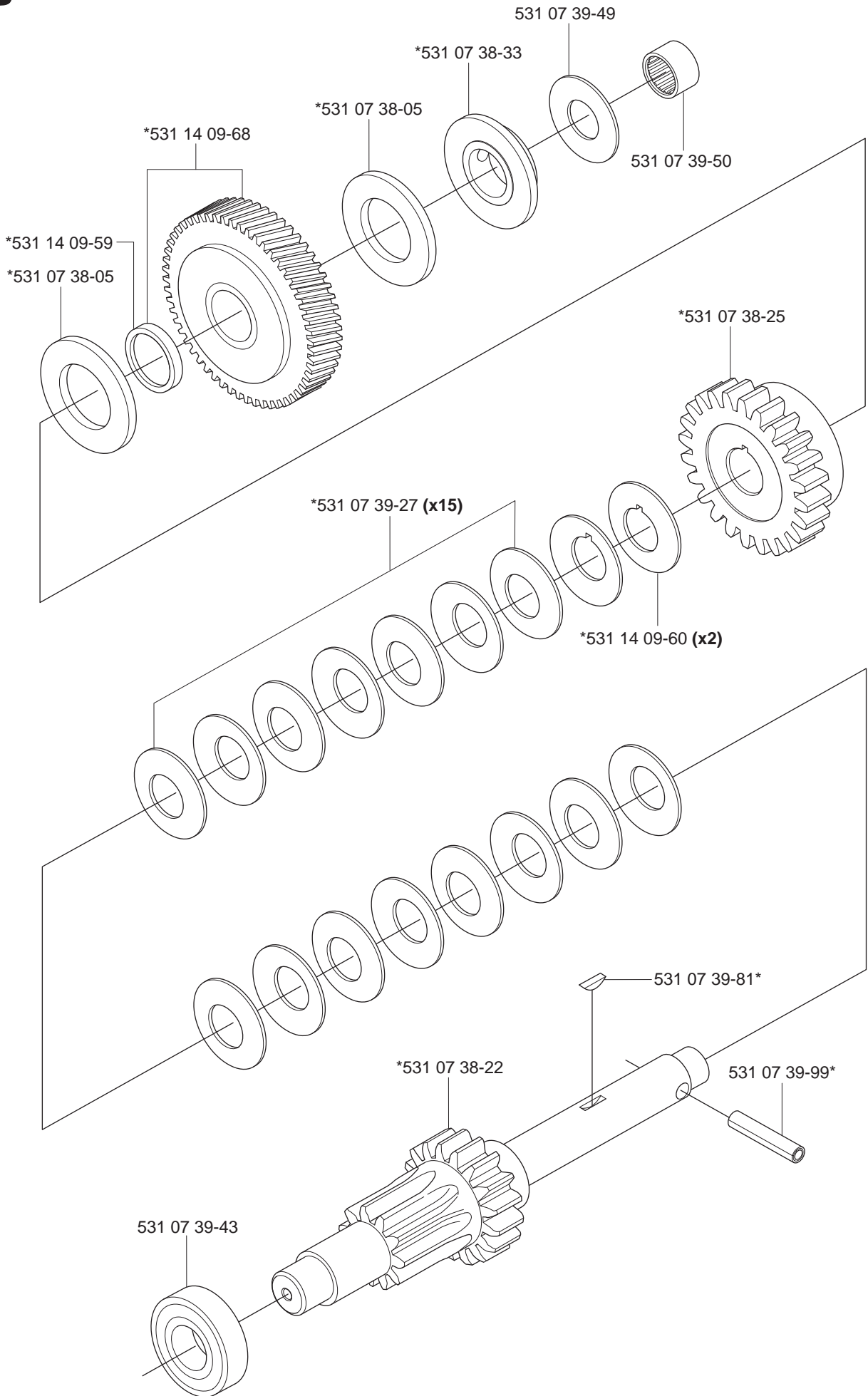
No.	Pos.	Description	No.	Pos.	Description
503 21 20-01	H	Screw	531 07 39-73	A	Retaining ring
503 21 20-02	H	Screw	531 07 39-81	BD	Key
503 25 10-04	F	Ball bearing	531 07 39-82	D	Rubber ring
503 26 60-01	E	Quick coupler	531 07 39-84	F	Rubber ring
503 78 22-04	G	Decal	531 07 39-85	D	Rubber ring
505 53 03-00	H	Cable clamp	531 07 39-87	G	Washer
505 53 03-03	H	Rubber bushing	531 07 39-91	F	Radial sealing
505 53 03-07	G	Air stream director	531 07 39-93	D	Locking screw
505 53 03-14	F	Rubber bushing	531 07 39-95	A	Flat key
505 53 03-51	F	Ball bearing shim	531 07 39-99	B	Tube pin
505 53 03-56	H	Cable 110v	531 07 42-59	E	Adapter
506 22 51-10	G	Field coil 110v	531 07 42-60	E	Washer
506 22 51-20	G	Field coil 230v	531 14 09-50	E	Waterhose compl
506 22 52-01	G	Ground connection	531 14 09-51	J	Spanner 32mm
506 22 53-01	G	Screw	531 14 09-55	G	Decal
506 22 54-01	H	Screw	531 14 09-57	H	Elgard 230v
506 22 58-02	G	Carbon brush	531 14 09-58	A	Adapter
531 03 12-76	E	Bolt	531 14 09-59	B	Bushing
531 03 18-92	G	Brushrock compl	531 14 09-60	B	Washer
531 07 38-03	H	Inspection cover	531 14 09-61	E	Decal
531 07 38-04	H	Inspection cover	531 14 09-65	D	Rubber ring
531 07 38-05	B	Bar	531 14 09-66	H	Cable 230v PRCD
531 07 38-06	E	Bearing cover	531 14 09-68	B	Gear wheel compl
531 07 38-14	H	Dust guard	531 14 09-69	B	Gear shaft rep set
531 07 38-20	A	Output shaft	531 14 09-70	C	Gear wheel compl
531 07 38-21	C	Spline shaft	531 14 09-71	C	Spline shaft rep set
531 07 38-22	B	Gear shaft	531 14 09-72	F	Armature 110v
531 07 38-23	A	Gear wheel	531 14 09-73	F	Armature 230v
531 07 38-24	C	Gear wheel	531 14 09-74	F	Sealing ring
531 07 38-25	B	Gear wheel	531 14 09-75	D	Gear shift mechanism compl
531 07 38-29	E	Sliding axle	531 10 18-76	H	Switch house & Switch cap
531 07 38-30	E	Slide rod	723 22 85-81	G	Screw
531 07 38-31	C	Gear wheel compl	723 22 84-85	G	Screw
531 07 38-33	B	Pressure washer	725 52 91-55	G	Screw
531 07 38-35	E	Gearbox	732 21 14-01	G	Locking nut
531 07 38-36	E	Fan casing	735 11 36-50	G	Wacher
531 07 38-37	E	Gasket	735 11 46-50	GH	Spring washer
531 07 38-38	E	Guiding tube			
531 07 38-44	G	Motor casing			
531 07 38-49	E	Magnetic bolt			
531 07 38-79	E	Fibre washer			
531 07 38-84	C	Wire device			
531 07 38-85	A	Radial sealing			
531 07 38-91	H	Switch			
531 07 38-94	E	U-sleeve			
531 07 38-97	D	Pressure screw			
531 07 38-98	D	Spring			
531 07 39-02	H	Elgard 110v-120v			
531 07 39-23	E	Decal			
531 07 39-24	F	Support washer			
531 07 39-25	C	Support ring			
531 07 39-26	C	Support ring			
531 07 39-27	B	Spring washer			
531 07 39-29	F	Arched washer			
531 07 39-30	A	Ball bearing shim			
531 07 39-32	A	Ball bearing shim			
531 07 39-43	BC	Ball bearing			
531 07 39-44	F	Ball bearing			
531 07 39-45	A	Ball bearing			
531 07 39-48	A	Needle bearing			
531 07 39-49	BC	Axial washer			
531 07 39-50	BC	Needle bearing			
531 07 39-51	D	Screw			
531 07 39-52	AF	Screw			
531 07 39-57	E	Screw			
531 07 39-59	E	Screw			
531 07 39-60	E	Screw			
531 07 39-62	H	Screw			
531 07 39-66	G	Spring washer			
531 07 39-72	F	Retaining ring			

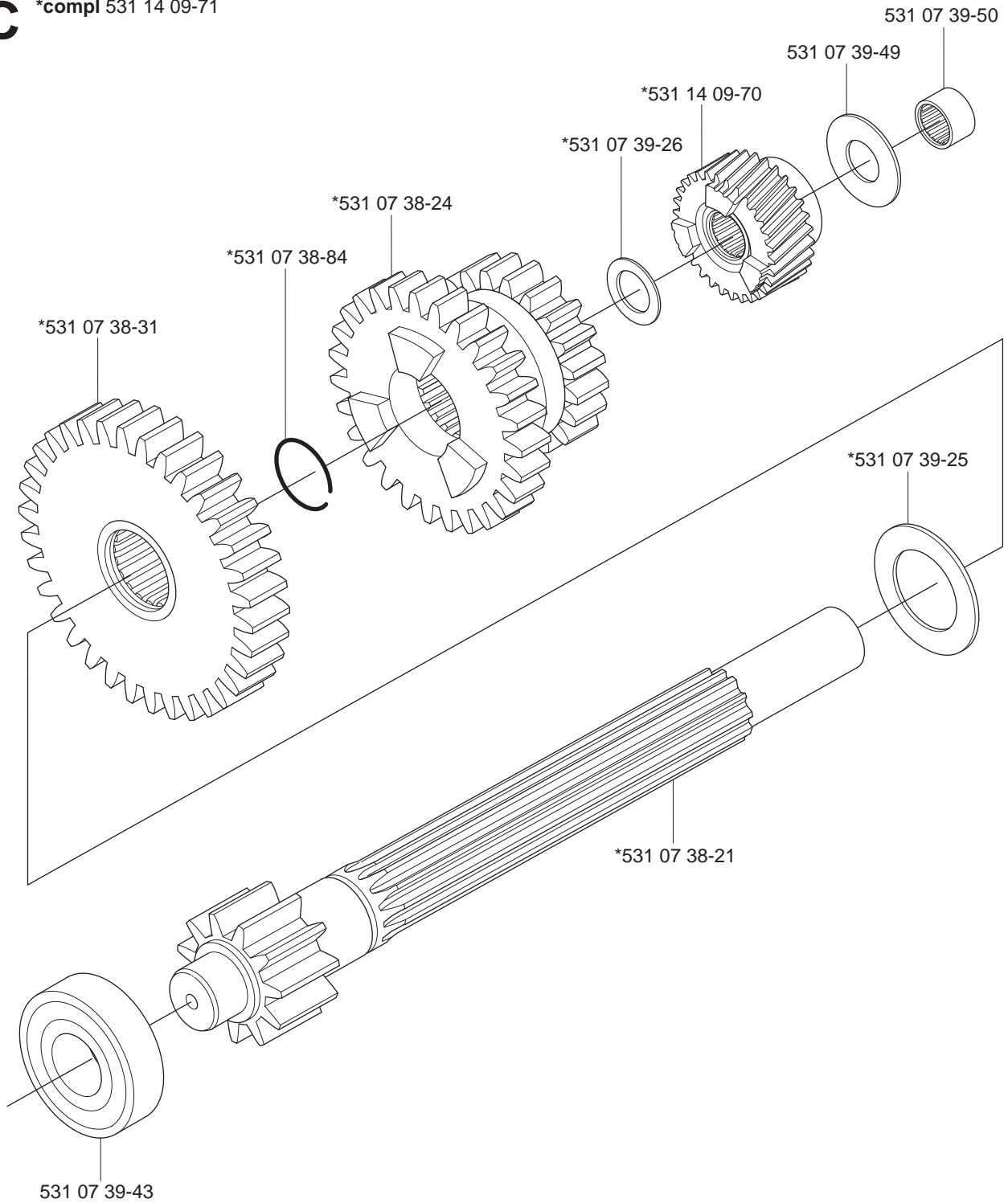
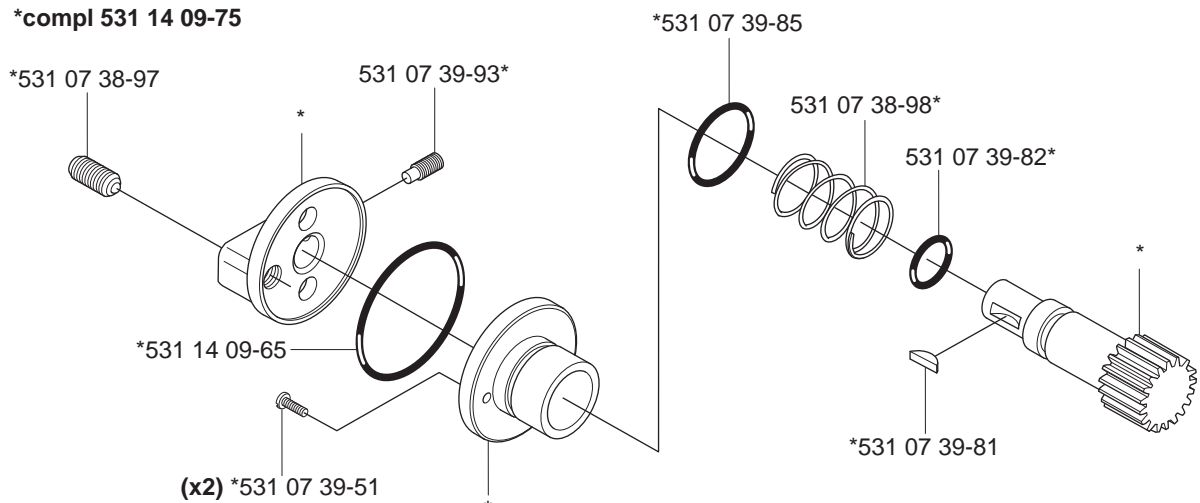
A



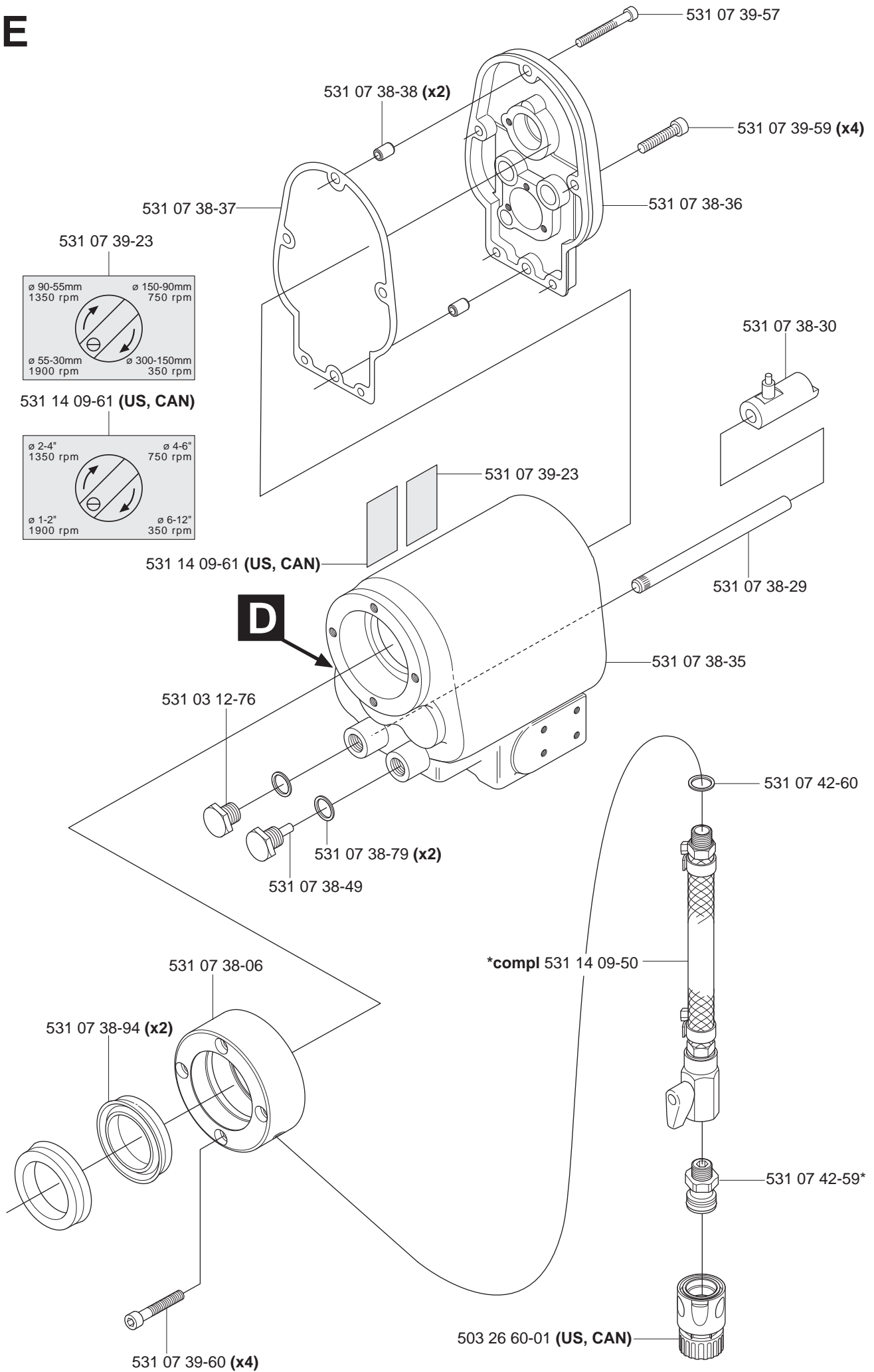
B

*compl 531 14 09-69

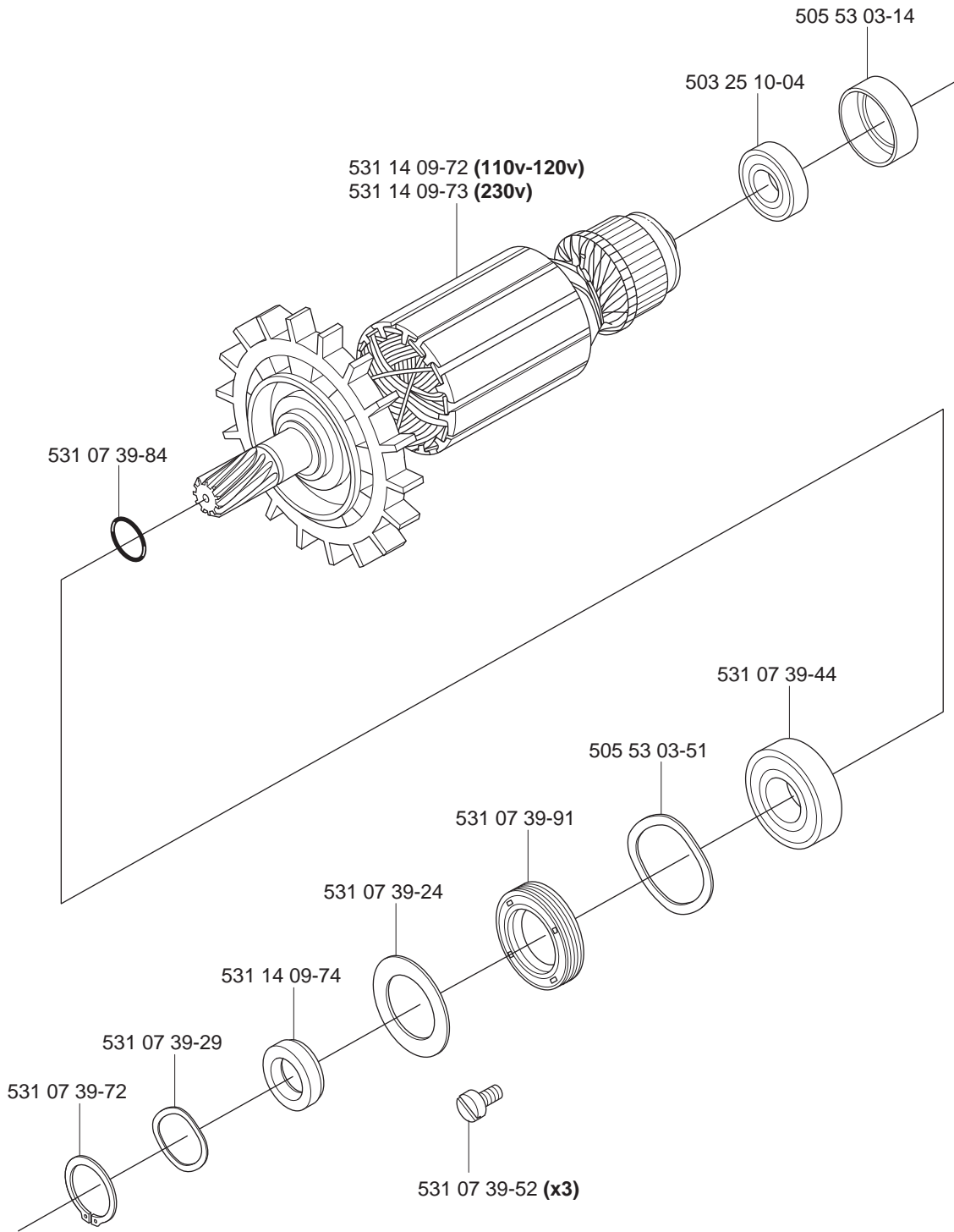


C***compl 531 14 09-71****D*****compl 531 14 09-75**

E



F

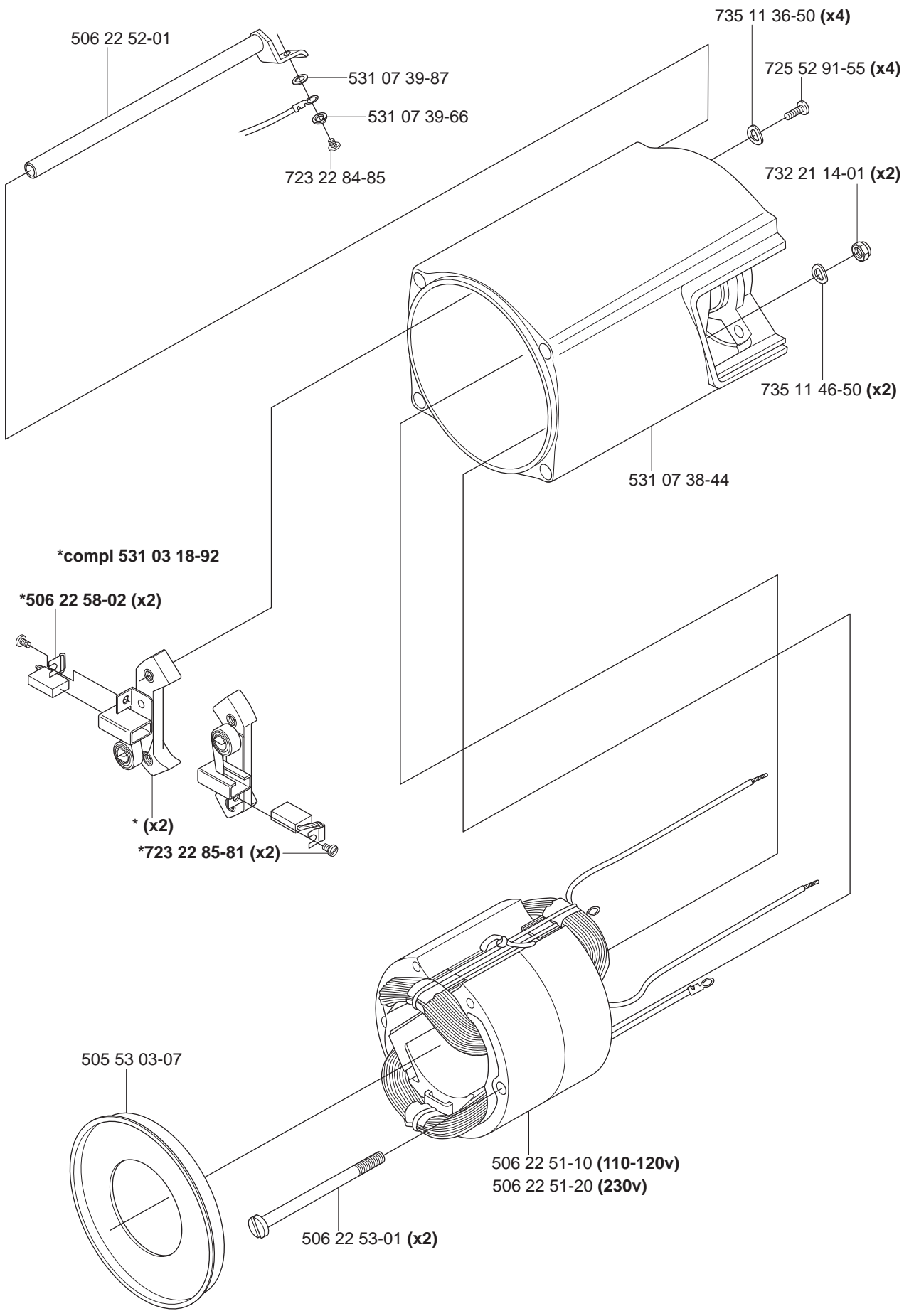


G

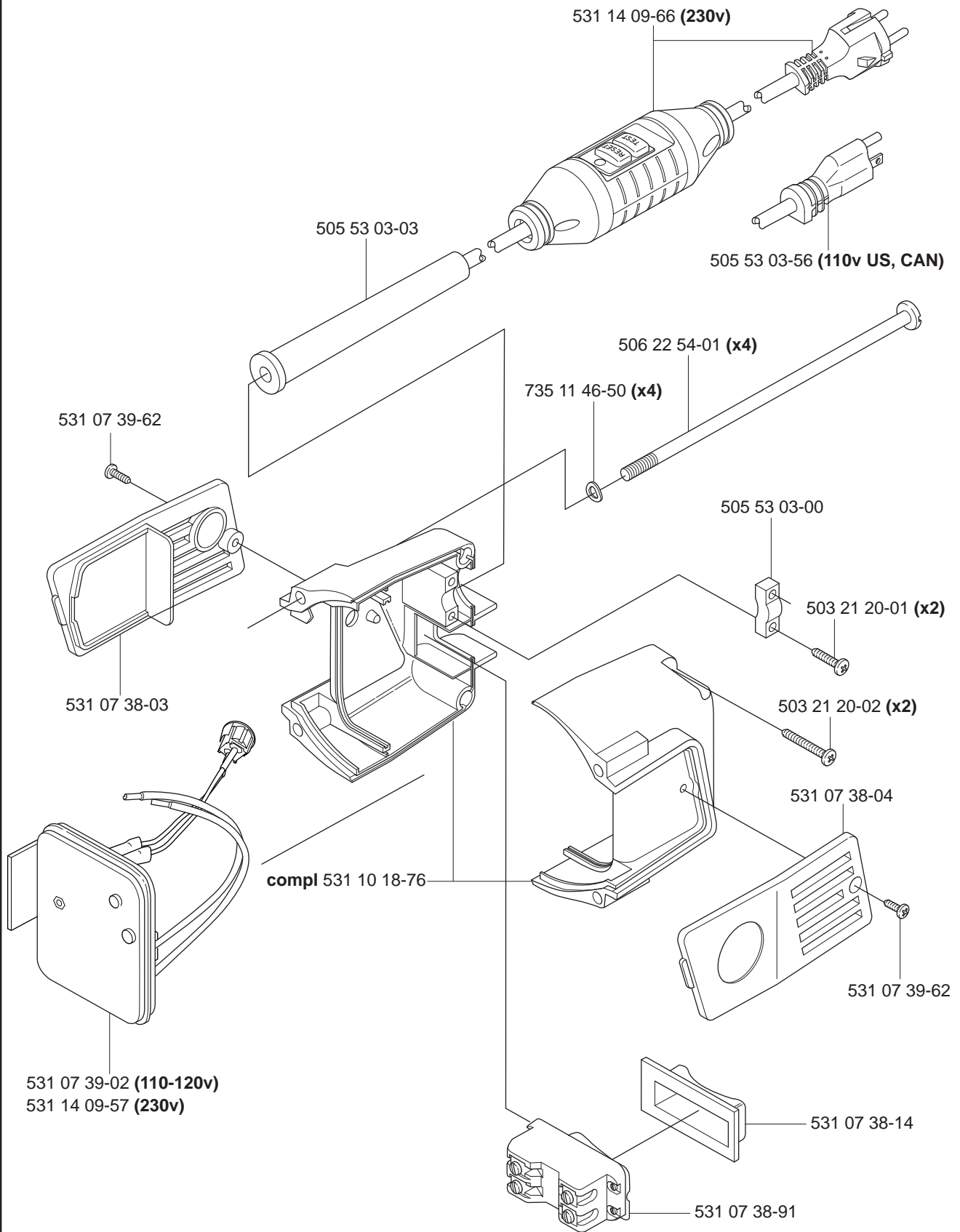
531 14 09-55



503 78 22-04



H



J Accessories Zubehöre Accessoires Accesorios Tillbehör

